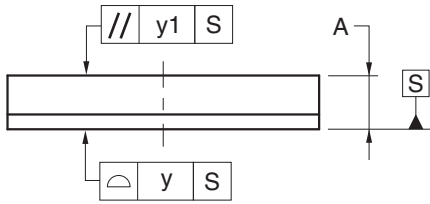
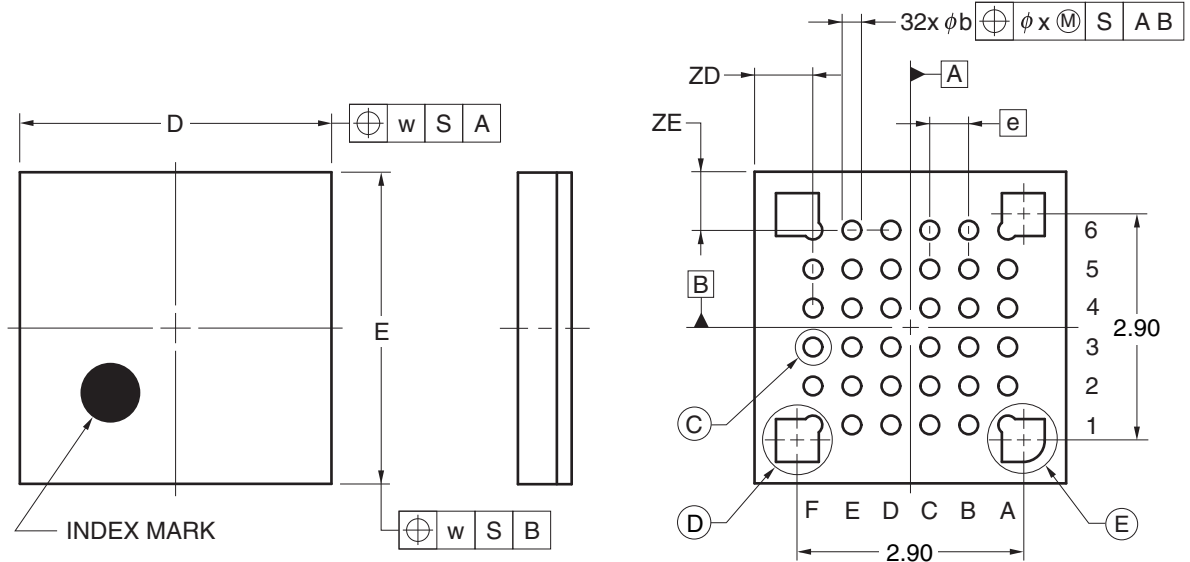


JEITA Package Code	RENESAS Code	Previous Code	MASS (TYP.) [g]
P-WFLGA36-4x4-0.50	PWLG0036KA-A	P36FC-50-AA4-2	0.023

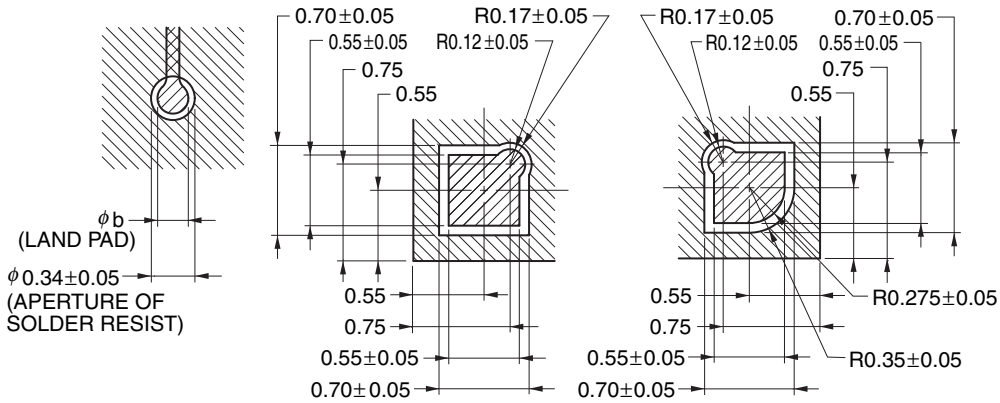


DETAIL (C)

DETAIL (D)

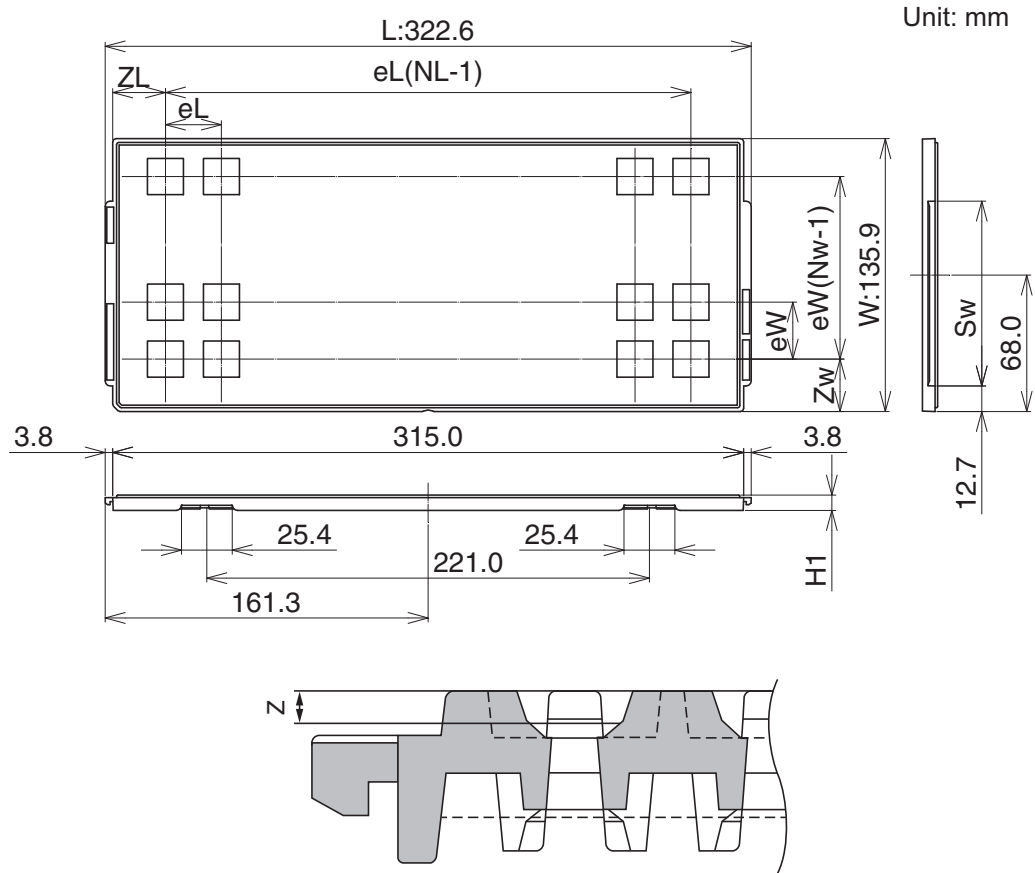
DETAIL (E)

(UNIT:mm)

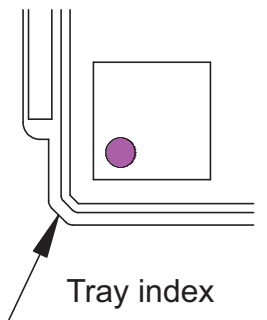


ITEM	DIMENSIONS
D	4.00±0.10
E	4.00±0.10
w	0.20
e	0.50
A	0.69±0.07
b	0.24±0.05
x	0.05
y	0.08
y1	0.20
ZD	0.75
ZE	0.75

**Packing Specification
Tray Outline Drawing
FBGA4x4ESP**



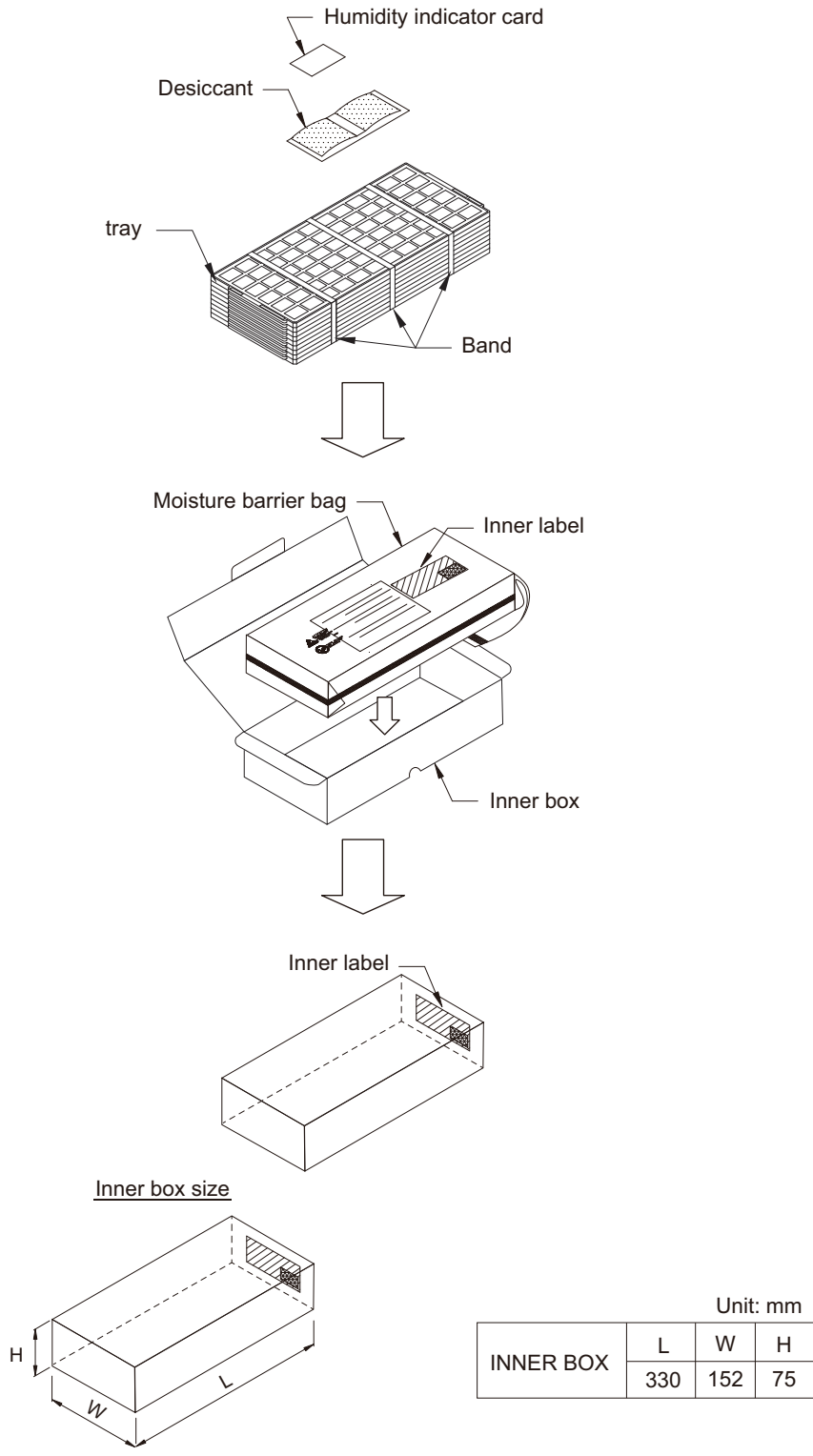
The pin1 is located in the hatching portion.



Tray Code		FBGA4x4ESP
Position dimension of cells	Z	1.51
	Zw	8.15
	ZL	7.90
	eW	9.20
	eL	8.80
	Sw	92.1
Thickness (mm)	H1	7.62
Number of cells	Nw	14
	NL	35
Maximum storage pcs. IC/Tray		490
Maximum storage pcs. IC/Inner box		3920
Material		Carbon PPE
Heat resistant temperature		135°C MAX
JEDEC or Custom		JEDEC
Surface resistance		Less than $1 \times 10^{11} \Omega/\square$

RDK-H-000598

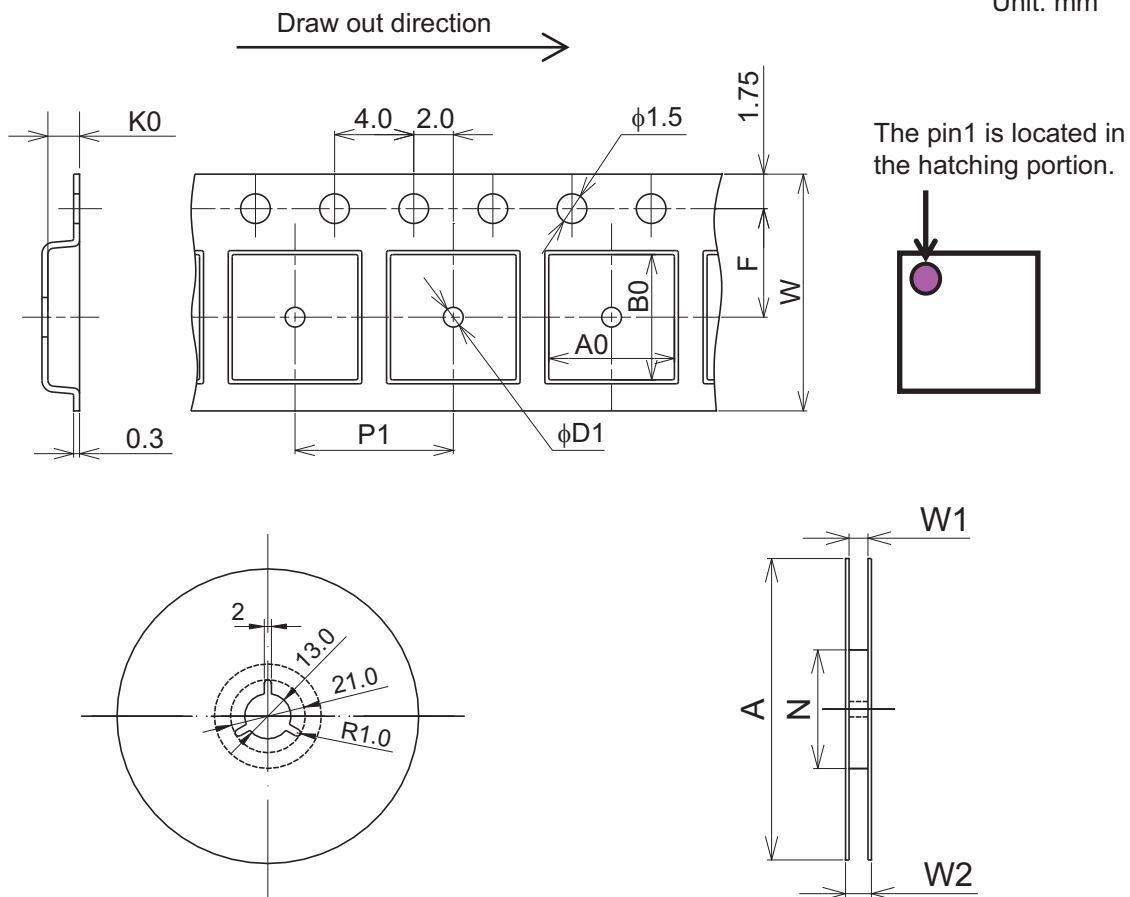
Packing Specification
Tray Packing
(Tray dry pack)



H-000531

Packing Specification
Tape & Reel Outline Drawing
E12 * 08-55CA

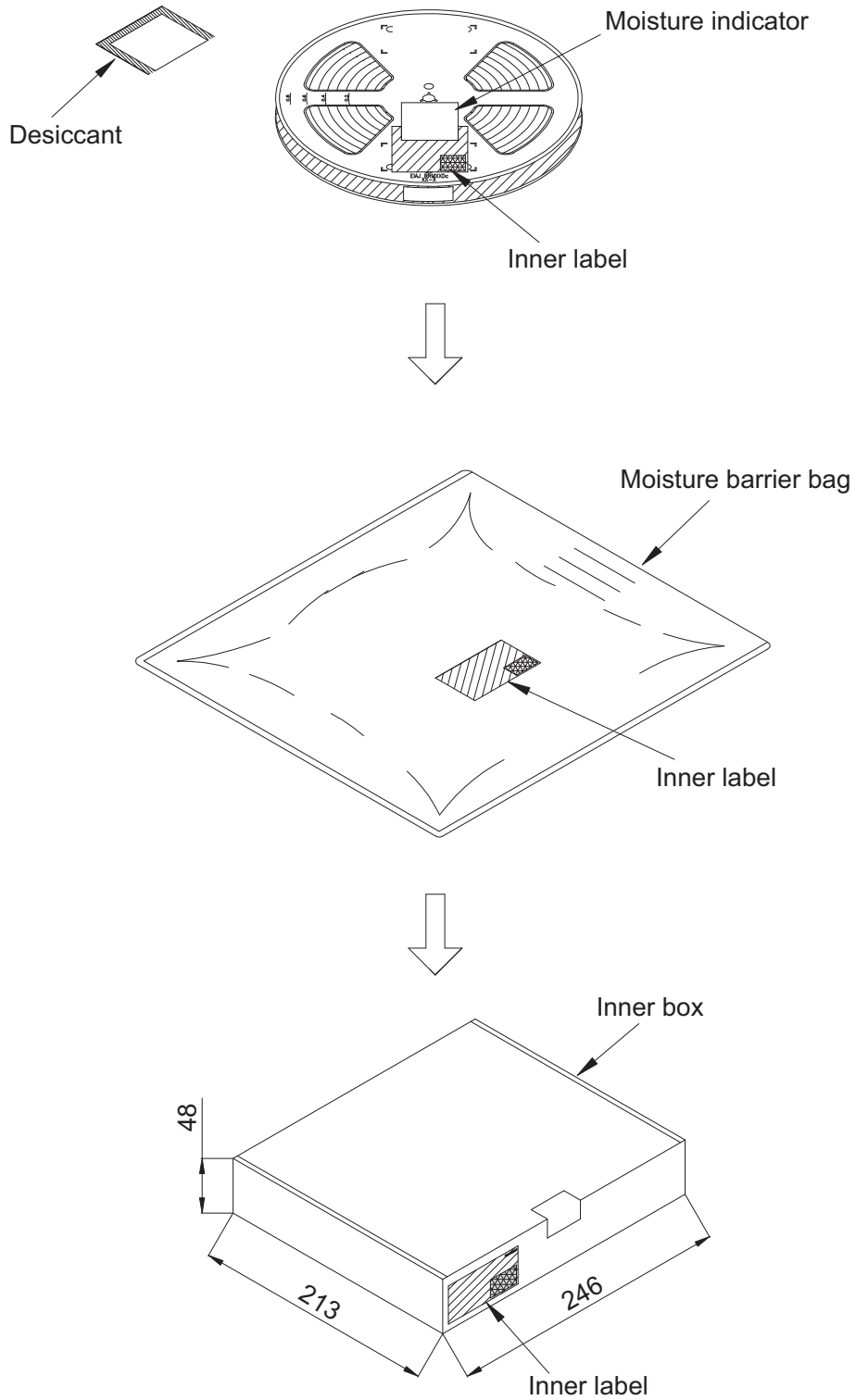
Unit: mm



Tape Code		E12 * 08-55CA
Tape Dimensions (mm)	W	12
	P1	8
	A0	4.4
	B0	4.4
	K0	1.2
	F	5.5
	D1	1.5
Reel Dimensions (mm)	A	180
	N	60
	W1	13
	W2	17
Maximum storage Pcs. IC/ Reel		1000
Material		Carbon PS
Surface resistance		Less than $1 \times 10^{11} \Omega/\square$

RDK-H-001639

Packing Specification
Tape & Reel Packing
(Tape dry pack)



H-000491