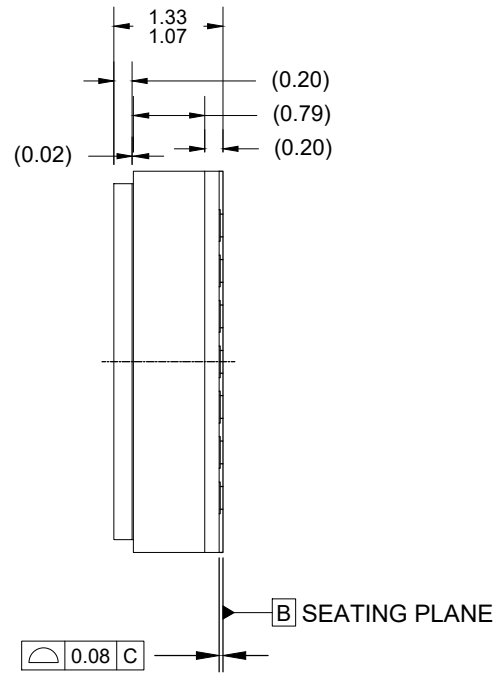
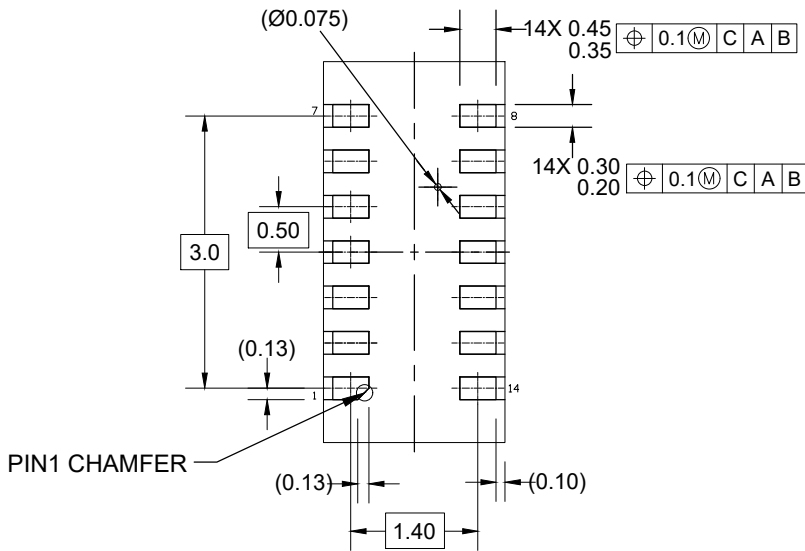


TOP VIEW



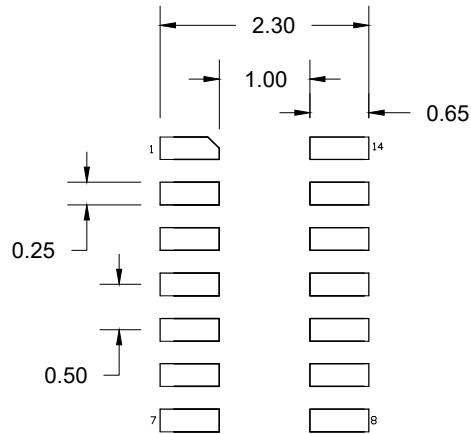
SIDE VIEW



BOTTOM VIEW

NOTES:

1. All dimensions are in mm. .
2. ±0.05 tolerance applies where no tolerance is indicated.



RECOMMENDED LAND PATTERN DIMENSION

NOTES:

1. All dimensions are in mm. angles in degrees.
2. Top down view as viewed on PCB.
3. Land pattern recommendation per IPC-7351B generic requirement for surface mount design and land pattern.

ASSEMBLY RECOMMENDATIONS:

1. Use low-flux solder paste to avoid excess flux being siphoned into vent hole on bottom of package
2. Do not wash after soldering; liquid can enter the optical cavities via the vent hole.
3. If liquid appears inside the optical cavity, dry at 100 C for 8 hrs.