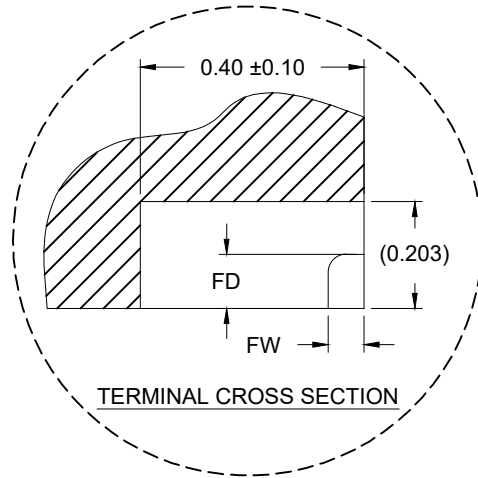


**RECOMMENDED LAND PATTERN**  
(PCB Top View, NSMD Design)



**DETAILS A**

Table 1: Dimensions of wettable flank (DETAILS A)

Symbol	Dimension (mm)	
	MIN	MAX
FD	0.100	-
FW	0.001	0.075

**NOTES:**

1. JEDEC compatible.
2. All dimensions are in mm and angles are in degrees.
3. Use  $\pm 0.05$  mm for the non-toleranced dimensions.
4. Numbers in ( ) are for references only.