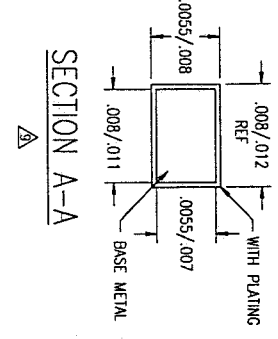
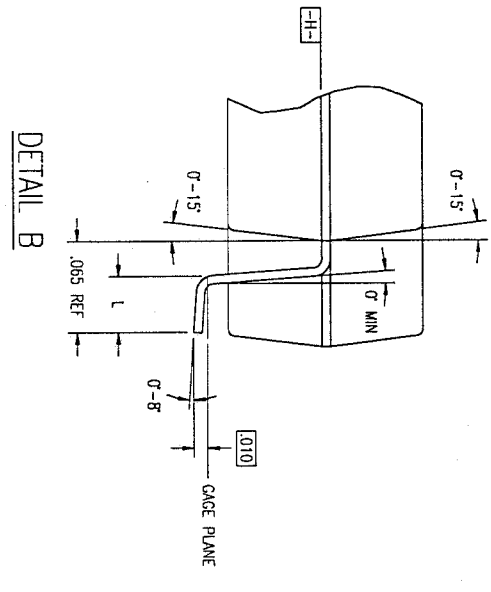
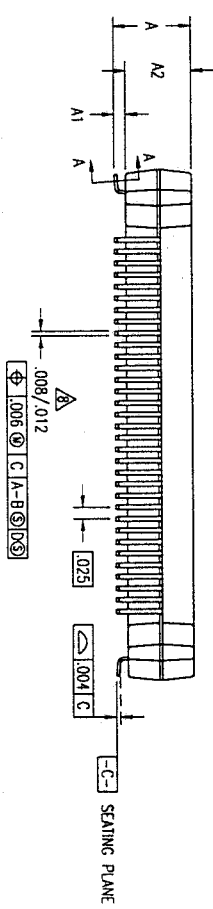
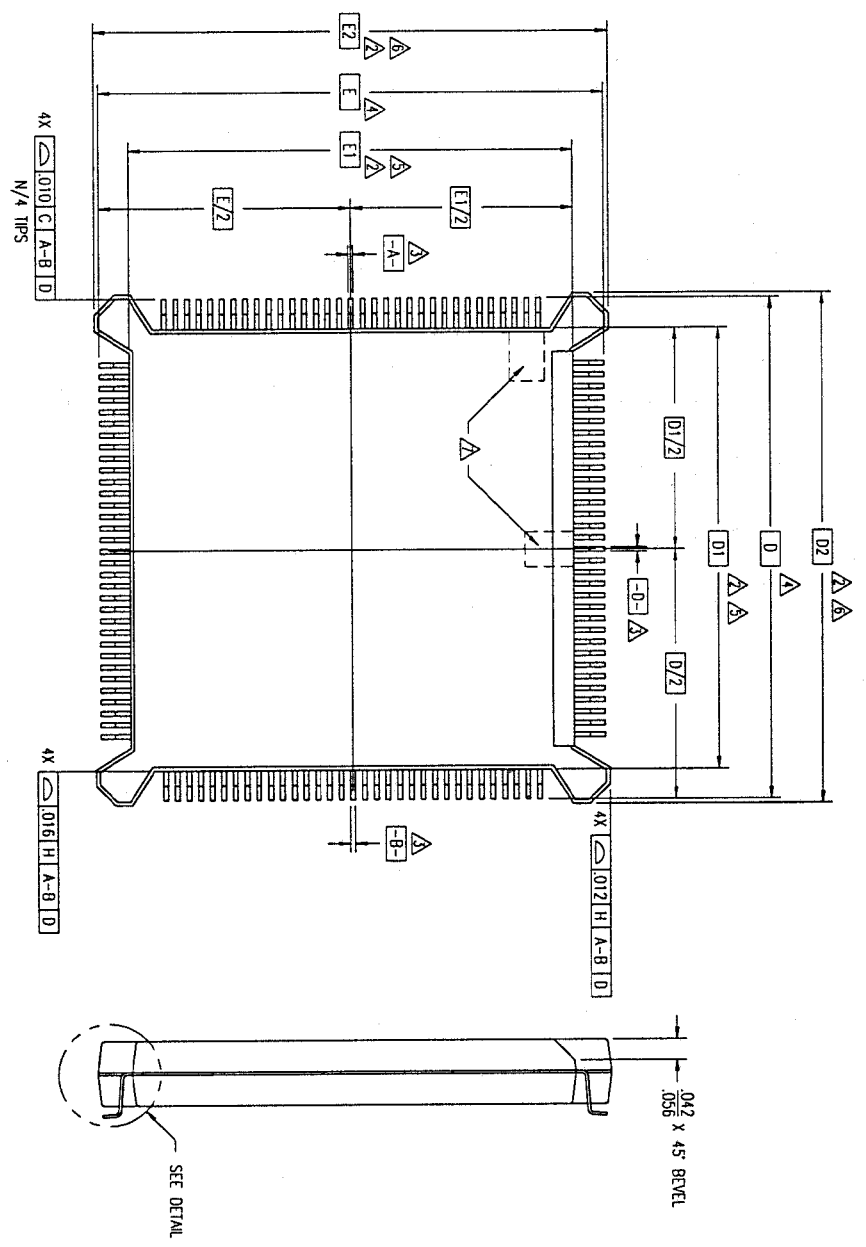


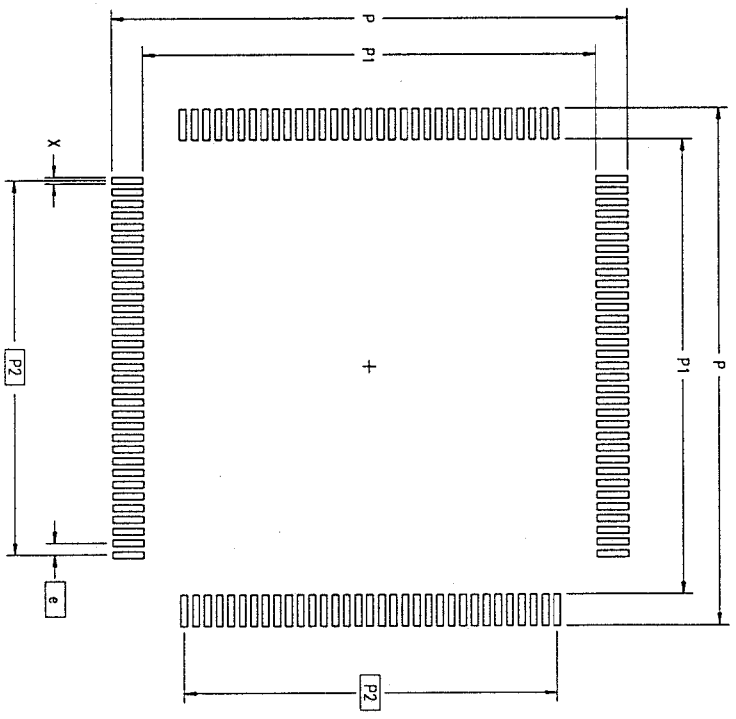
REVISIONS				
DCN	REV	DESCRIPTION	DATE	APPROVED
27653	02	REDRAW TO JEDEC FORMAT	03/15/95	T. WU
29349	03	CHANGE PIN 1 ID FROM TOP CENTER	09/20/96	I. WU
60262	04	ADD OPTIONAL PIN 1 ID AT TOP CENTER	06/25/97	<i>[Signature]</i>



TOLERANCES UNLESS SPECIFIED		 Integrated Device Technology, Inc. 2975 Stender Way, Santa Clara, CA 95054 PHONE: (408) 727-6116 FAX: (408) 492-8674 TWX: 910-338-2070
DECIMAL	ANGULAR	
XXX±	°	
XXXX±		
APPROVALS	DATE	TITLE
DRAWN: <i>dt</i>	10/15/87	PQ PACKAGE OUTLINE
CHECKED:		PLASTIC QUAD FLAT PACK - PQFP
		.025" PITCH
SIZE	DRAWING No.	REV
C	PSC-4021	04
DO NOT SCALE DRAWING		SHEET 1 OF 2

DCN		REV		DESCRIPTION	DATE	APPROVED
27653	02	REDRAW TO JEDEC FORMAT		03/13/95	T. YU	
29349	03	CHANGE PIN 1 ID FROM TOP CENTER		09/20/96	T. YU	
60262	04	ADD OPTIONAL PIN 1 ID AT TOP CENTER		06/25/97	<i>[Signature]</i>	

LAND PATTERN DIMENSIONS



	MIN	MAX
P	1.102	1.110
P1	.968	.976
P2	.800	BSC
X	.010	.018
e	.025	BSC
N		132

SYMBOL	JEDEC VARIATION			N P T E
	MIN	NOM	MAX	
A	.160	.170	.180	
A1	.020	.030	.040	
A2	.130	.140	.150	
D	1.080 BSC			4
D1	.950 BSC			5,2
D2	1.100 BSC			6,2
E	1.080 BSC			4
E1	.950 BSC			5,2
E2	1.100 BSC			6,2
L	.036	-	.046	11
N	132			

NOTES:

- 1 ALL DIMENSIONING AND TOLERANCING CONFORM TO ANSI Y14.5M-1982
- ▲ DIMENSIONS D1, D2, E1 & E2 TO BE DETERMINED AT DATUM PLANE **[-H-]**
- ▲ DATUMS **[A-B]** AND **[-D-]** TO BE DETERMINED AT DATUM PLANE **[-H-]**
- ▲ DIMENSIONS D AND E ARE TO BE DETERMINED AT SEATING PLANE **[-C-]**
- ▲ DIMENSIONS D1 AND E1 DO NOT INCLUDE MOLD PROTRUSION. ALLOWABLE MOLD PROTRUSION IS .010 PER SIDE. D1 AND E1 ARE MAXIMUM BODY SIZE DIMENSIONS INCLUDING MOLD MISMATCH
- ▲ DIMENSIONS D2 AND E2 DO NOT INCLUDE MOLD PROTRUSION. ALLOWABLE MOLD PROTRUSION IS .007 PER SIDE. D2 AND E2 ARE MAXIMUM BODY SIZE DIMENSIONS INCLUDING MOLD MISMATCH
- ▲ DETAIL OF MECHANICAL PIN 1 IDENTIFIER IS OPTIONAL, BUT MUST BE LOCATED WITHIN EITHER OF THE TWO ZONES INDICATED. MAX WIDTH=.075, MAX LENGTH=.105 ELECTRICAL PIN 1 IS LOCATED AT THE CENTER OF THE BEVEL OF THE PACKAGE
- ▲ LEAD WIDTH DIMENSION DOES NOT INCLUDE DAMBAR PROTRUSION. ALLOWABLE DAMBAR PROTRUSION IS .004 IN EXCESS OF THE LEAD WIDTH DIMENSION AT MAXIMUM MATERIAL CONDITION. DAMBAR CANNOT BE LOCATED ON THE LOWER RADII OR THE FOOT
- ▲ THESE DIMENSIONS APPLY TO THE FLAT SECTION OF THE LEAD BETWEEN .005 AND .010 FROM THE LEAD TIP
- 10 ALL DIMENSIONS ARE IN INCHES
- 11 THIS OUTLINE CONFORMS TO JEDEC PUBLICATION 95 REGISTRATION MO-069, VARIATION A.E. EXCEPTION: JEDEC MECHANICAL PIN 1 IDENTIFIER IS LOCATED AT THE UPPER LEFT ONLY

TOLERANCES UNLESS SPECIFIED ANGULAR ±

Integrated Device Technology, Inc.
2975 Stender Way, Santa Clara, CA 95054
PHONE: (408) 727-6116 FAX: (408) 492-8674 TWX: 910-338-2070

APPROVALS: DATE: TITLE: PQ PACKAGE OUTLINE
DRAWN: AD 10/15/87 PLASTIC QUAD FLAT PACK - PQFP
CHECKED: SIZE: DRAWING No. PSC-4021
DO NOT SCALE DRAWING

REVISIONS: 04

SHEET 2 OF 2