

QCIOT-013-28022POCZ

QCIOT-013 Digital Power Monitor Board

This document provides quick-start instructions for the QCIOT-013 Digital Power Monitor (DPM) Board that include setting up and programming the board.

Important: To ensure the QCIOT-013 Digital Power Monitor (DPM) Board is set up correctly, complete the steps in the order listed in *Quick Start Procedure*.

Contents

1. Board Information..... 1

 1.1 How to Get the Board 1

 1.2 Board Contents..... 2

2. Quick Start Procedure..... 3

 2.1 Install e²studio and the Mobile App 3

 2.2 Kit Hardware Connection..... 3

3. Board Test 5

 3.1 Program the Renesas Development Board..... 5

4. Revision History 9

1. Board Information

1.1 How to Get the Board

To obtain the QCIOT-013 Digital Power Monitor (DPM) Board ([QCIOT-013-28022POCZ](#)), go to the Renesas product page.

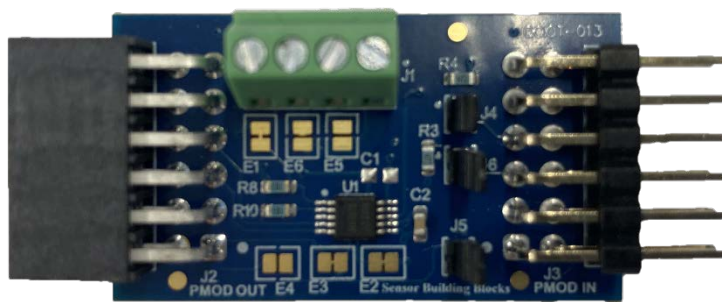
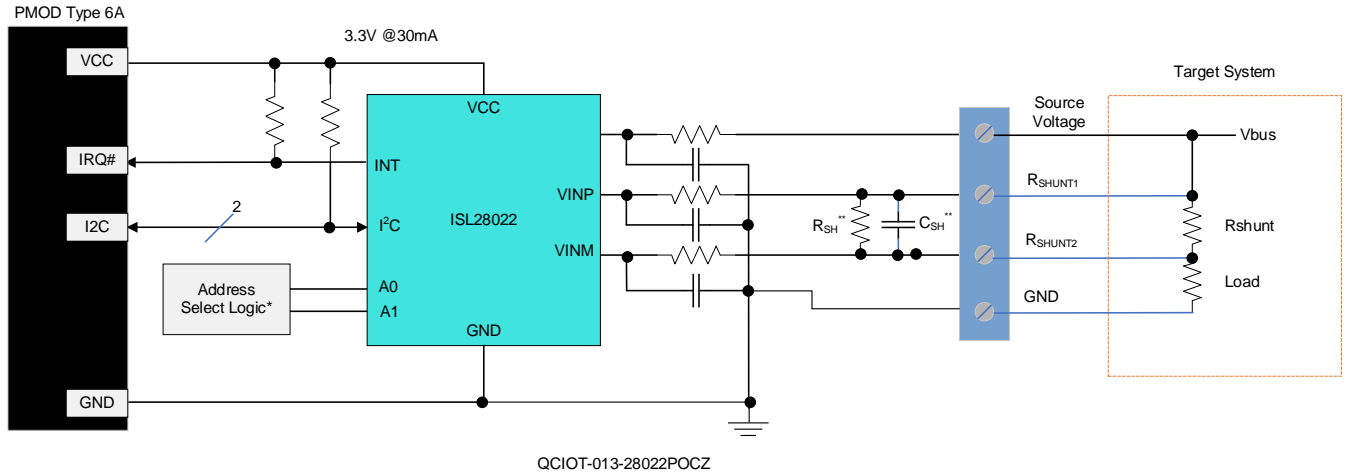


Figure 1. QCIOT-013 Digital Power Monitor Board

Part Number	Description
QCIOT-013-28022POCZ	QCIOT Digital Power Monitor Pmod Board

1.2 Board Contents

The QCIOT-013 board can measure voltages in the presence of common-mode voltages ranging from 0V to 60V, and it can measure the variable input current and power consumption. The board can also report diagnostics by configuring the fault thresholds of the bus voltage and shunt voltage.



*Design Detail, usually 0Ω resistors

** R_{SH} and C_{SH} are footprints for optionally mounting on the PMOD. Because these can be large and dissipate considerable power, on-board RC is limited in its capabilities.

Figure 2. QCIOT-013 Digital Power Monitor Board Block Diagram

The setup and configuration for the QCIOT-013 board is comprised of the following required or recommended hardware:

- Renesas Fast Prototyping Board: FPB-RA4E1
- USB micro-B cable (provided with FPB board)
- PC running Windows 10/11 with at least one USB port.
- DC Power supply (0 to 60V output)
- Shunt resistor and load resistor

The following is required or recommended software:

- Renesas Flexible Software Package v4.5.0 platform installation:
 - e² studio 2023-01 or later
 - FSP 4.5.0 or later
 - GCC Arm Embedded 10.3.1 (10 2021.10)
- Sample code files (available on the Renesas product page for this device)

2. Quick Start Procedure

Complete the following quick-start steps in the order listed.

2.1 Install e²studio and the Mobile App

Visit the Renesas website for the latest version of the [e² studio](#) installer. The minimum FSP version supporting the QCIOT-013 board is FSP 4.5.0.

2.2 Kit Hardware Connection

Follow these procedures to set up the kit.

1. Ensure that the MCU development kit has at least one Type 6A Pmods.
 - a. For FPB-RA4E1, two Pmods, PMOD1 and PMOD2, are available.
 - b. For the kits other than FPB-RA4E1, if no Type 6A Pmod is available, ensure that the kit can use the US082-INTERPEVZ interposer board. Insert the board into the MCU connector before adding any sensor boards.
2. Ensure that the Pin 12 of Pmod is 3.3V, which is requested by QCIOT-013.
 - a. For FPB-RA4E1 and FPB-RA6E1, the Pin 12 of Pmod is 5V by default. Short the trace jumper E1 and open E2 to get 3.3V on Pmod1.
 - b. For some evaluation boards, the Pin 12 of Pmod is 3.3V by default. No change needed. Check the user manual before using it.
3. Mount the J4, J5, and J6 jumpers on QCIOT-013.
4. Connect the terminal of shunt resistor to VINP and VINM of J1 using wires or terminal pins.
 - a. Connect the load in this guide, and if using wires, ensure the wire gauge has sufficient thickness to carry the operating current load.

The Vbus and current load should be from the target-tested system. This guide uses the DC power supply and load resistor to simulate the measured voltage and current.

Renesas recommends the following settings for the board.

Rshunt: 25Ω/0.25W

Rload: 5kΩ/2W

DC power supply: 0 to 60V

Choose a different shunt resistor based on the required load and Vbus voltage. Refer to the *ISL28022 Datasheet* for more details about shunt resistor selection.

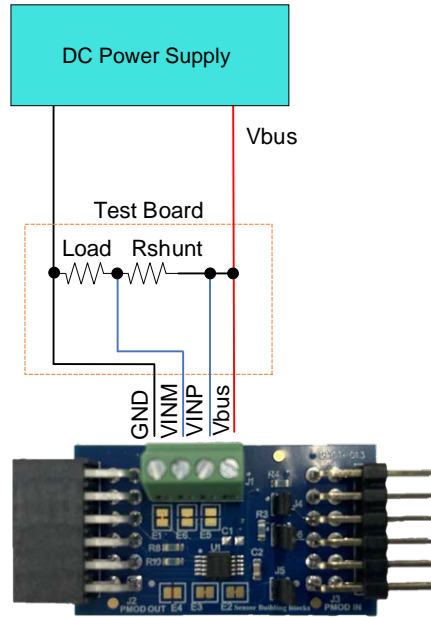


Figure 3. Connect the Target System with QCIOT-013

5. Plug in the QCIOT-013 Board to PMOD1 connector of FPB4AE1. Be careful to align Pin 1 on the power board and MCU kit.
6. Connect the FPB board with the computer using the USB micro-B cable.
7. Set the DC Power supply output to 3.3V and turn on the output.
8. The kit is now ready for use.

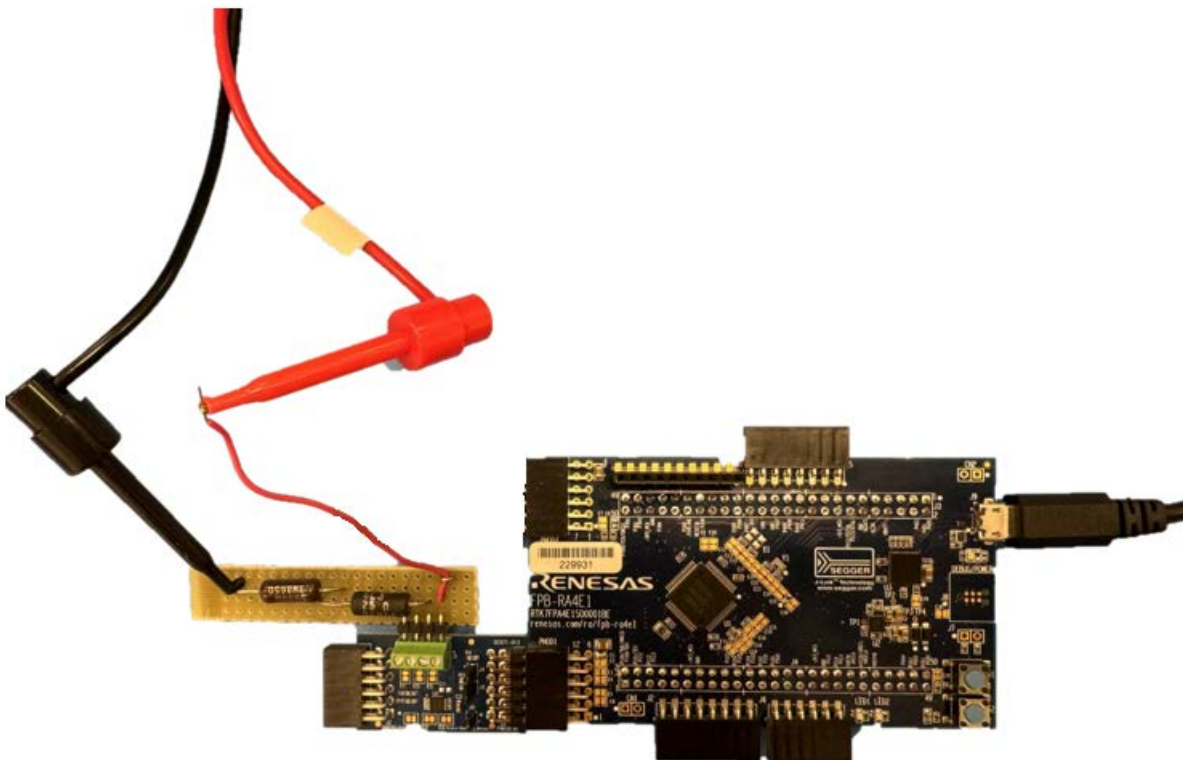


Figure 4. QCIOT-013 Power Monitor Board with FPB-RA4E1 MCU Kit

3. Board Test

3.1 Program the Renesas Development Board

1. Open the sample project in e²studio.

See Figure 5.

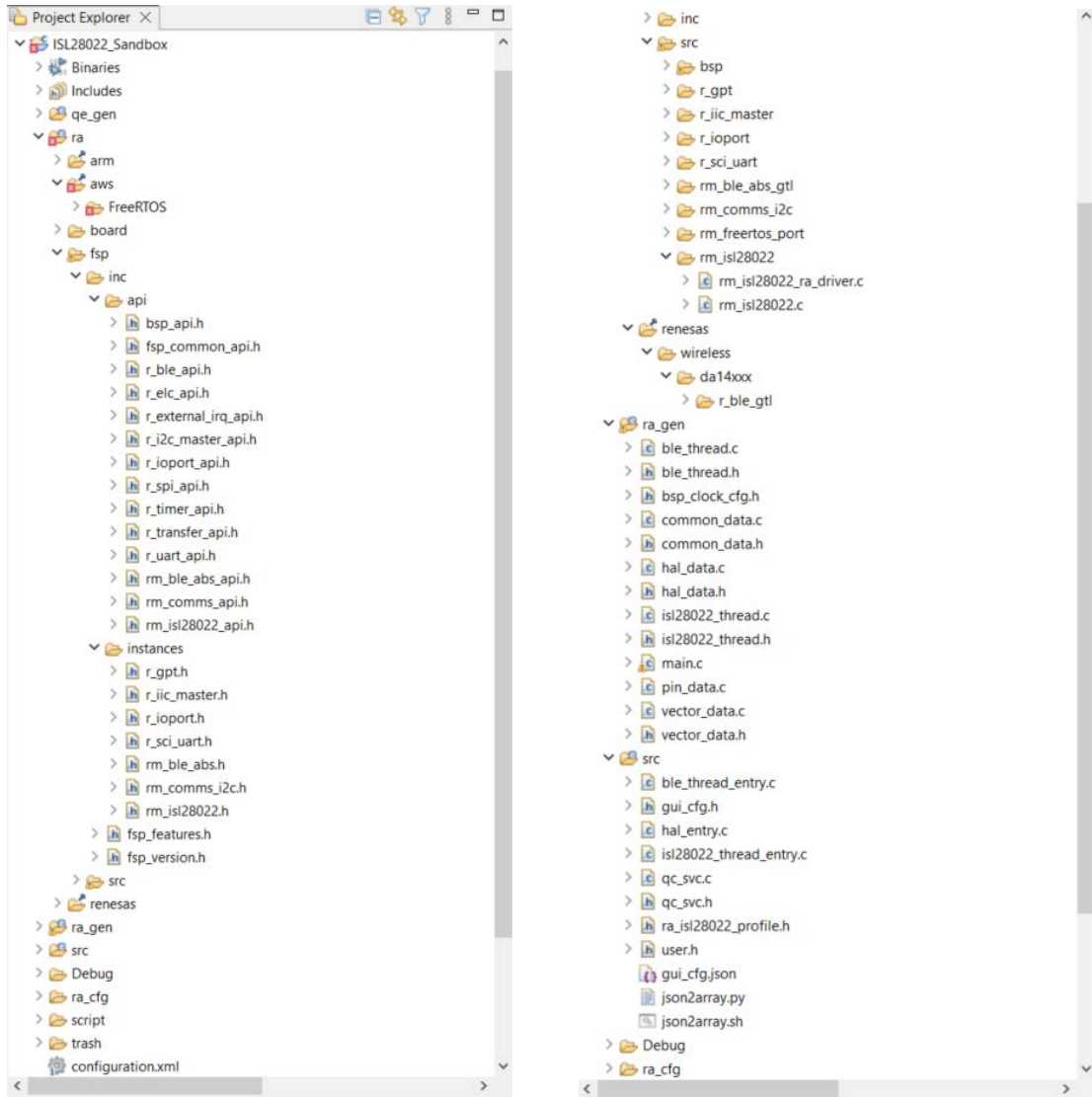


Figure 5. ISL28022 Project Structure

Open the `ra_isl28022_profile.c` file. Verify the `ISL28022_RSHUNT_OHM_USER` setting. This value should match the shunt resistor you have chosen. In this example, the default 25Ω resistor is used. If the shunt resistor is different than 25Ω, change this setting.

```

ra_isl28022_profile.h X
2
4
5
6
8
10
11 #define ISL28022_RSHUNT_OHM_USER (25.0f)
12 // #define ISL28022_RSHUNT_OHM_USER (0.05f)
13 #define ISL28022_VSHUNT_MAX_THRESHOLD_V_USER (0.32f)
14 #define ISL28022_VSHUNT_MIN_THRESHOLD_V_USER (-0.32f)
15 #define ISL28022_VBUS_MAX_THRESHOLD_V_USER (60.0f)
16 #define ISL28022_VBUS_MIN_THRESHOLD_V_USER (0.0f)
17 #define ISL28022_CONFIG_MODE_USER RM_ISL28022_MODE_SHUNTANDBUS_CONTINUOUS
18 #define ISL28022_VBUS_FULL_SCALE_USER RM_ISL28022_VBUS_FULLSCALE_60V
19 #define ISL28022_VSHUNT_FULL_SCALE_USER RM_ISL28022_VSHUNT_FULLSCALE_320MV
20 #define ISL28022_AUX_INT_PIN_EN_USER RM_ISL28022_AUXCONTROL_INTERRUPT_PIN_DISABLE
21 #define ISL28022_AUX_INT_PIN_FORCE_USER RM_ISL28022_AUXCONTROL_INTERRUPT_PIN_FORCE_NOACTIVE
22 #define ISL28022_AUX_EXTCLK_EN_USER RM_ISL28022_AUXCONTROL_EXTCLK_DISABLE
23 #define ISL28022_AUX_EXTCLK_DIV_USER RM_ISL28022_AUXCONTROL_EXTCLK_DIV0
24
25 /*The following setting is for board best*/
26 #define BOARDTEST_VBUS_TARGET_V_USER (3.314f)
27 #define BOARDTEST_VBUS_TOLERANCE_PERCENT_USER (0.01f)
28 #define BOARDTEST_LOAD_RESISTOR_OHM_USER (5000)
29 #define BOARDTEST_CURRENT_TOLERANCE_PERCENT_USER (0.05f)
30
31
32

```

Figure 6. Project Header Files

2. Go to the menu bar and select **Run > Debug Configuration**.

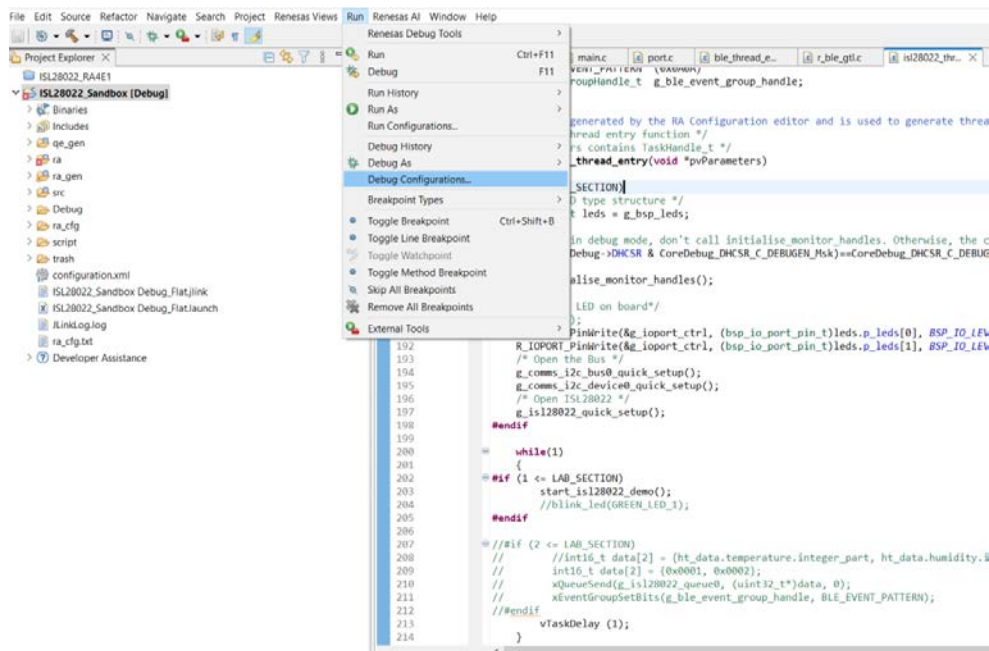


Figure 7. Debug Configuration

- 3. Select **Renesas GDB Hardware Debugging > isl28022_Sandbox_Debug**.
- 4. Click the **Debug** button.

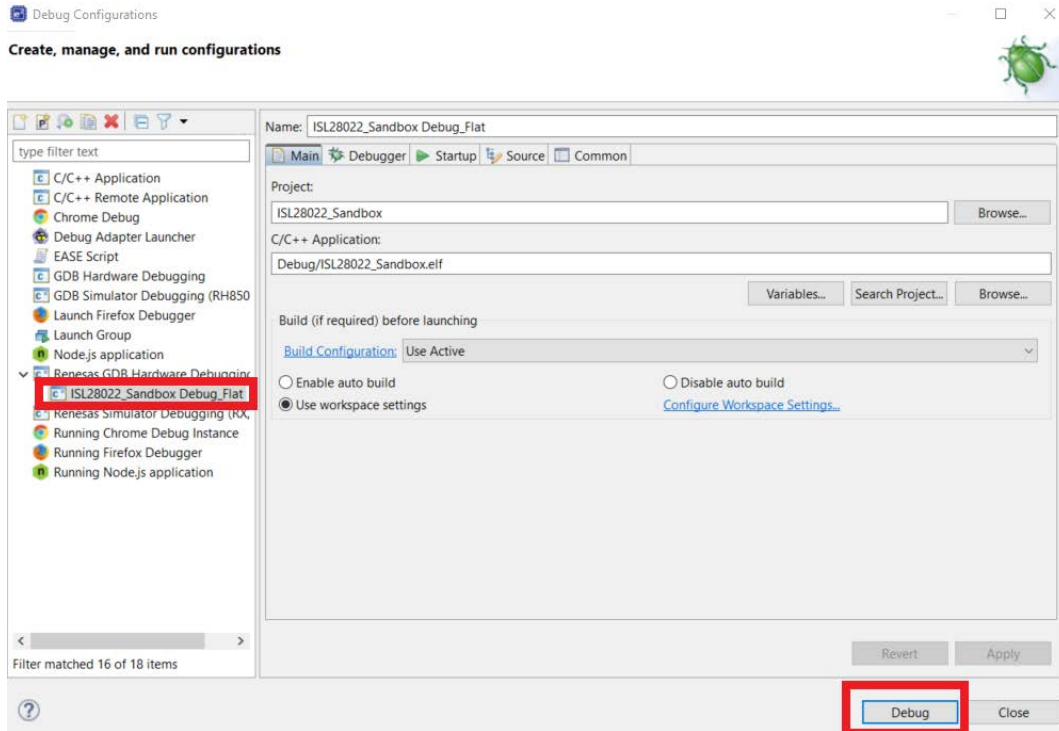


Figure 8. Start Debug Mode

After clicking the **Debug** button, the code enters debug mode.

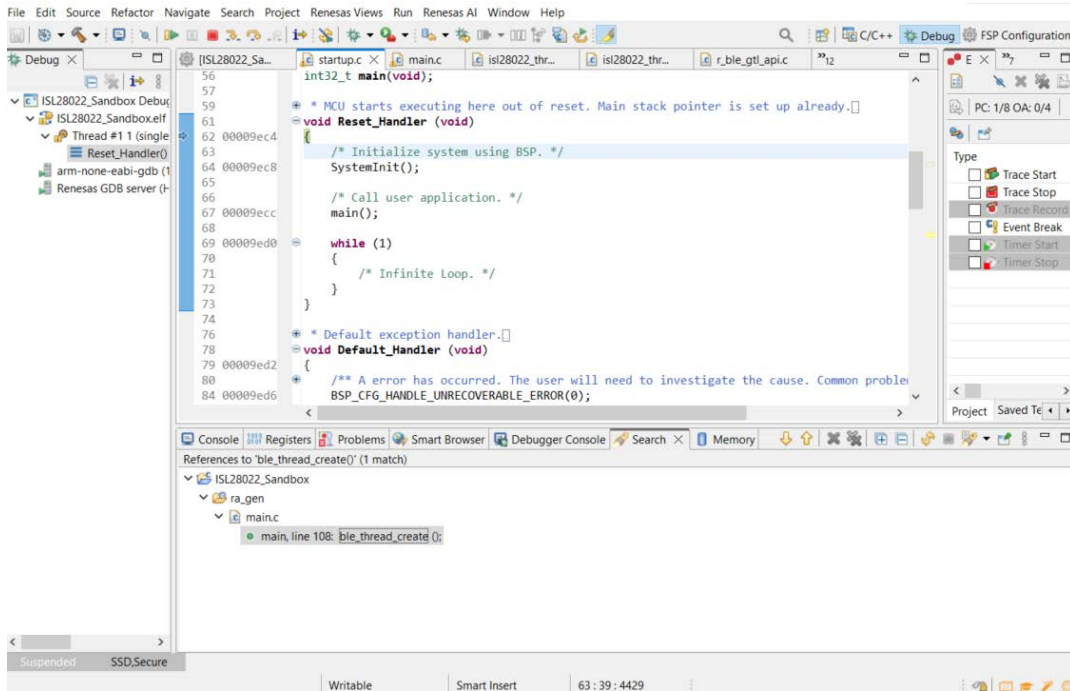


Figure 9. Debug Mode

5. Go to the menu bar, select **Renesas Views > Debug > Renesas Debug Virtual Console**.

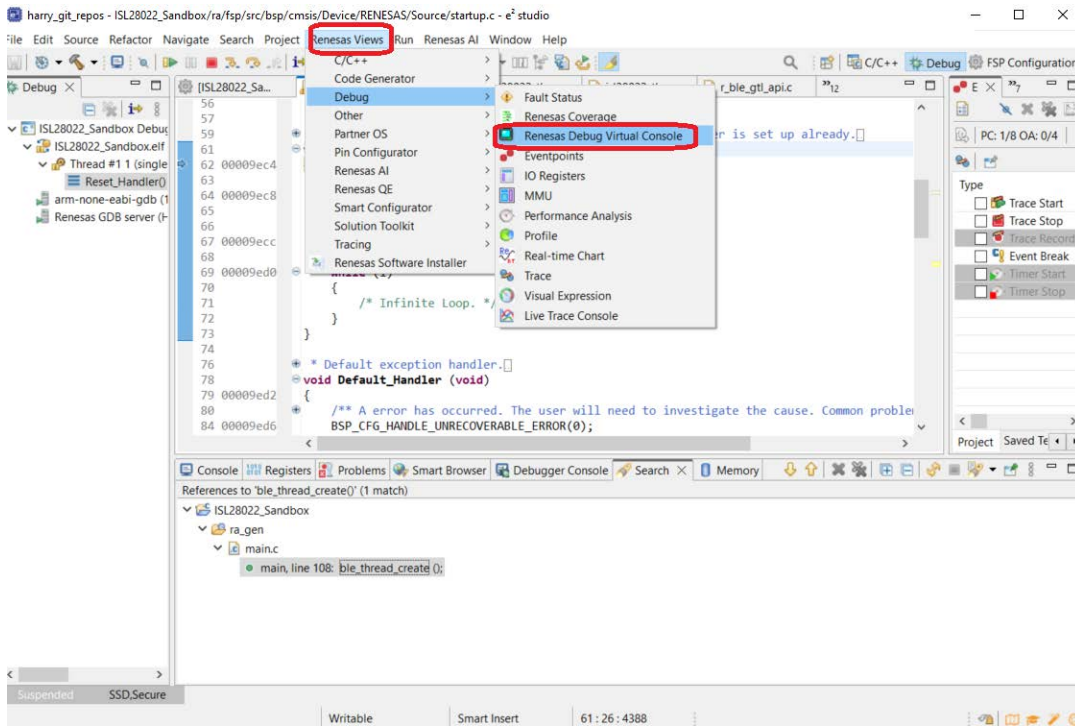


Figure 10. Open Virtual Console

In the bottom panel, the **Renesas Debug Virtual Console** appears.

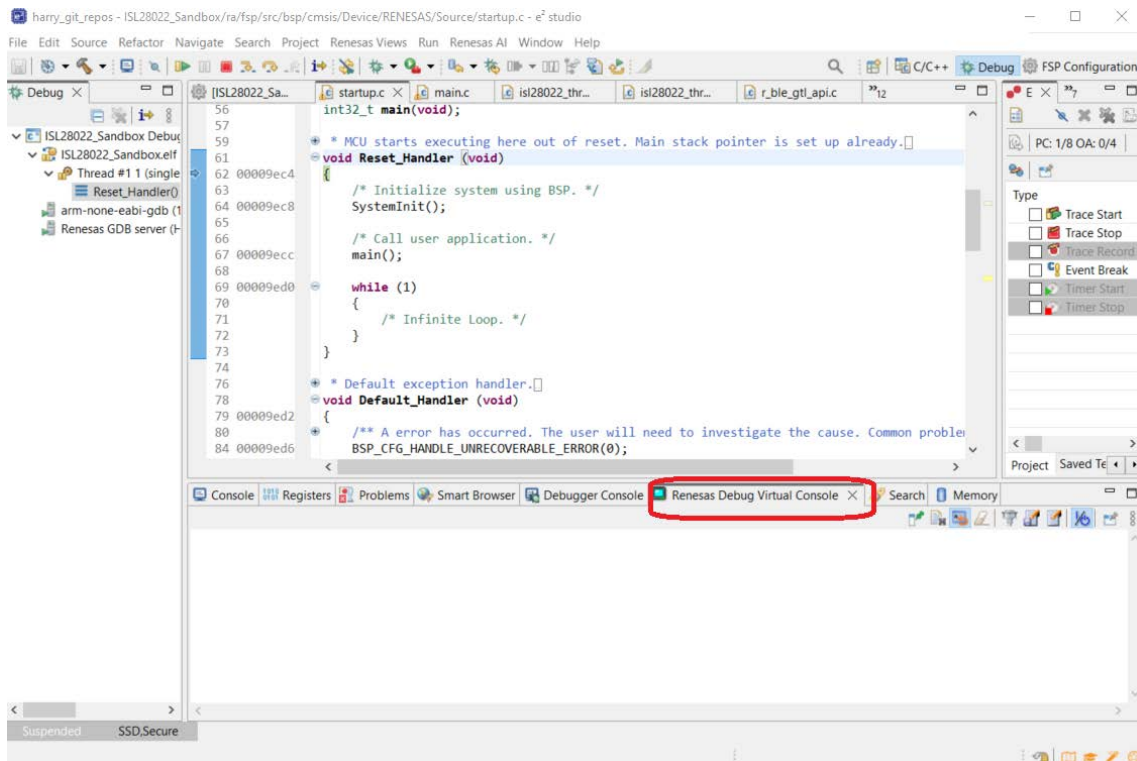
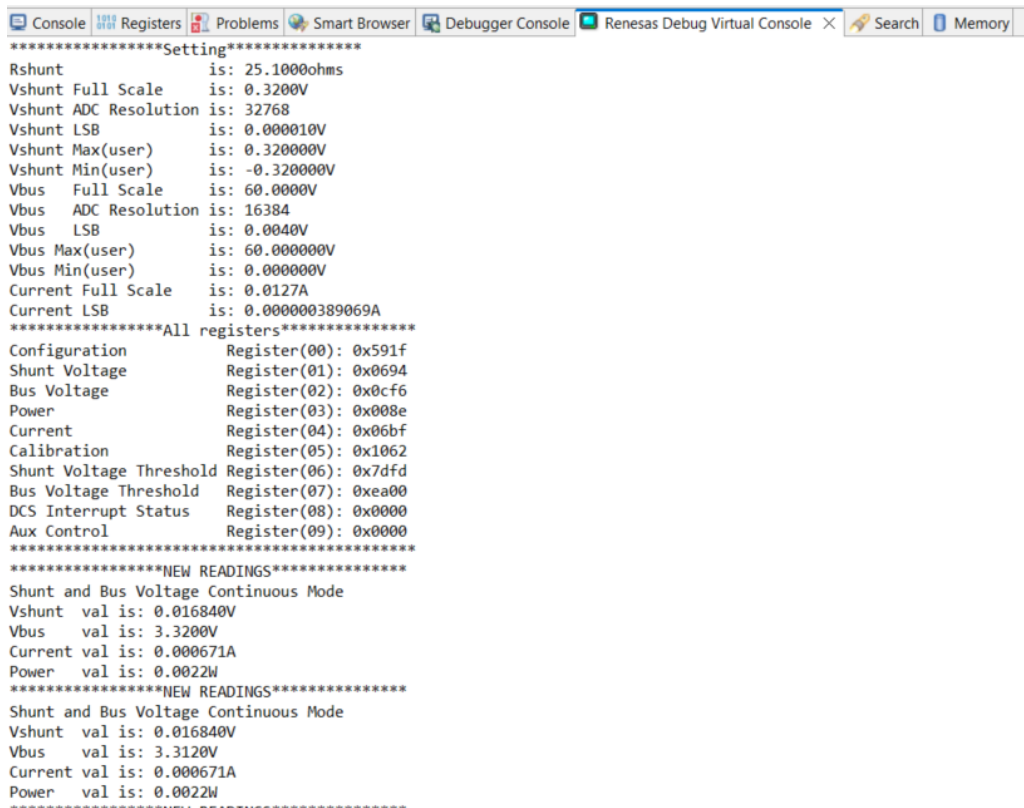


Figure 11. Renesas Debug Virtual Console

6. Click  and information appears in the **Renesas Debug Virtual Console** window.



```

*****Setting*****
Rshunt          is: 25.1000ohms
Vshunt Full Scale is: 0.3200V
Vshunt ADC Resolution is: 32768
Vshunt LSB      is: 0.000010V
Vshunt Max(user) is: 0.320000V
Vshunt Min(user) is: -0.320000V
Vbus Full Scale is: 60.0000V
Vbus ADC Resolution is: 16384
Vbus LSB       is: 0.0040V
Vbus Max(user) is: 60.000000V
Vbus Min(user) is: 0.000000V
Current Full Scale is: 0.0127A
Current LSB    is: 0.000000389069A
*****All registers*****
Configuration Register(00): 0x591f
Shunt Voltage Register(01): 0x0694
Bus Voltage Register(02): 0x0cf6
Power Register(03): 0x008e
Current Register(04): 0x06bf
Calibration Register(05): 0x1062
Shunt Voltage Threshold Register(06): 0x7dfd
Bus Voltage Threshold Register(07): 0xea00
DCS Interrupt Status Register(08): 0x0000
Aux Control Register(09): 0x0000
*****NEW READINGS*****
Shunt and Bus Voltage Continuous Mode
Vshunt val is: 0.016840V
Vbus val is: 3.3200V
Current val is: 0.000671A
Power val is: 0.0022W
*****NEW READINGS*****
Shunt and Bus Voltage Continuous Mode
Vshunt val is: 0.016840V
Vbus val is: 3.3120V
Current val is: 0.000671A
Power val is: 0.0022W
-----
    
```

Figure 12. Debug Information

4. Revision History

Revision	Date	Description
1.00	Mar 25, 2024	Initial release.

IMPORTANT NOTICE AND DISCLAIMER

RENESAS ELECTRONICS CORPORATION AND ITS SUBSIDIARIES (“RENESAS”) PROVIDES TECHNICAL SPECIFICATIONS AND RELIABILITY DATA (INCLUDING DATASHEETS), DESIGN RESOURCES (INCLUDING REFERENCE DESIGNS), APPLICATION OR OTHER DESIGN ADVICE, WEB TOOLS, SAFETY INFORMATION, AND OTHER RESOURCES “AS IS” AND WITH ALL FAULTS, AND DISCLAIMS ALL WARRANTIES, EXPRESS OR IMPLIED, INCLUDING, WITHOUT LIMITATION, ANY IMPLIED WARRANTIES OF MERCHANTABILITY, FITNESS FOR A PARTICULAR PURPOSE, OR NON-INFRINGEMENT OF THIRD-PARTY INTELLECTUAL PROPERTY RIGHTS.

These resources are intended for developers who are designing with Renesas products. You are solely responsible for (1) selecting the appropriate products for your application, (2) designing, validating, and testing your application, and (3) ensuring your application meets applicable standards, and any other safety, security, or other requirements. These resources are subject to change without notice. Renesas grants you permission to use these resources only to develop an application that uses Renesas products. Other reproduction or use of these resources is strictly prohibited. No license is granted to any other Renesas intellectual property or to any third-party intellectual property. Renesas disclaims responsibility for, and you will fully indemnify Renesas and its representatives against, any claims, damages, costs, losses, or liabilities arising from your use of these resources. Renesas' products are provided only subject to Renesas' Terms and Conditions of Sale or other applicable terms agreed to in writing. No use of any Renesas resources expands or otherwise alters any applicable warranties or warranty disclaimers for these products.

(Disclaimer Rev.1.01 Jan 2024)

Corporate Headquarters

TOYOSU FORESIA, 3-2-24 Toyosu,
Koto-ku, Tokyo 135-0061, Japan
www.renesas.com

Trademarks

Renesas and the Renesas logo are trademarks of Renesas Electronics Corporation. All trademarks and registered trademarks are the property of their respective owners.

Contact Information

For further information on a product, technology, the most up-to-date version of a document, or your nearest sales office, please visit www.renesas.com/contact-us/.