


Quick Start Guide

RL78/G24
Fast Prototyping Board

(1) Checking out the video guide

A video is available to help you get started with Fast Prototyping Board for RL78 Family.

The QR code for the video is at right. 

You can also check the board's full specifications on the Renesas Web site.

URL: https://www.renesas.com/rl78g24_fpb



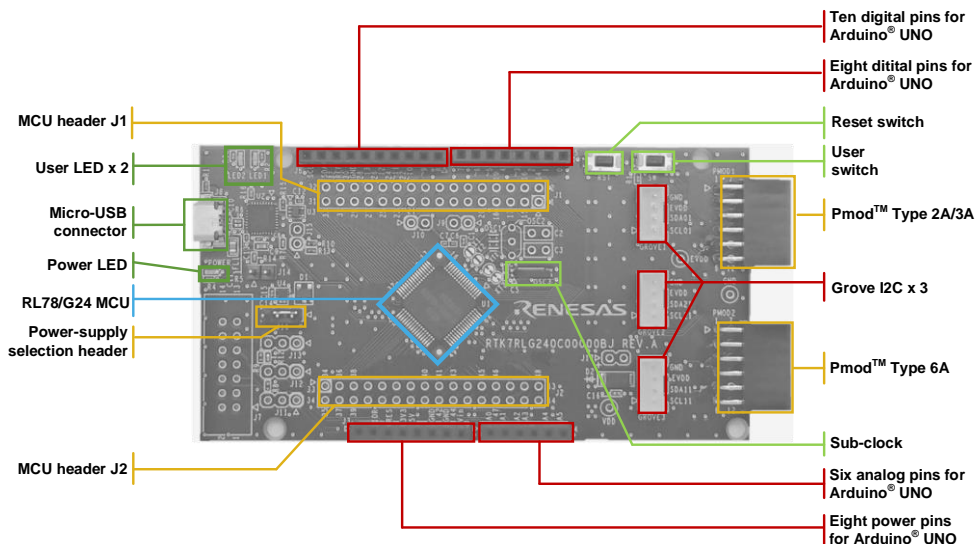
(2) Package components

RL78/G24 Fast Prototyping Board (RTK7RLG240C00000BJ) and Quick Start Guide (this document)

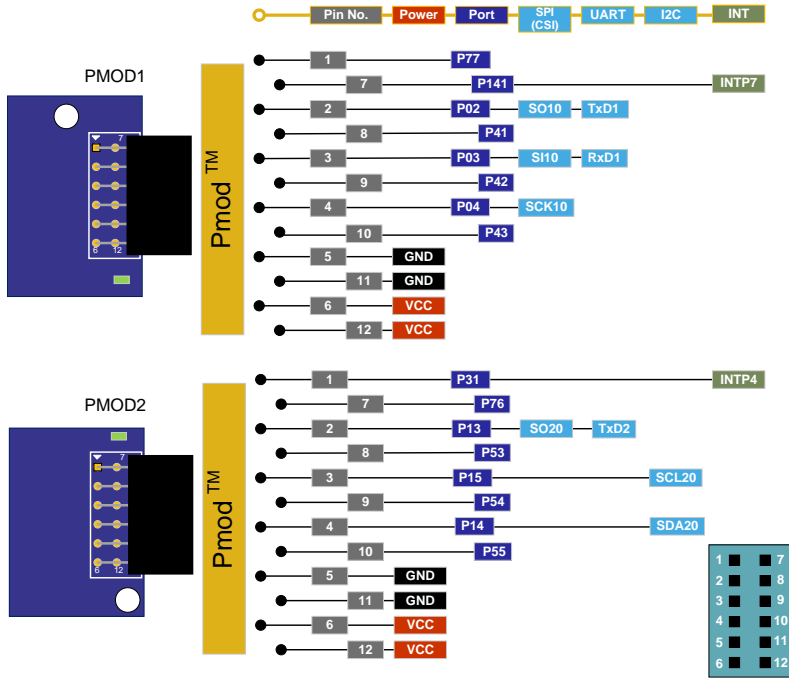
(3) Table of board specifications

Item	Specification
Evaluation MCU RL78/G24	Part No.: R7F101GLG2DFB; package: 64-pin LQFP On-chip memory: 128-KB ROM, 12-KB RAM, 4-KB data flash memory
Push switches	Reset switch x 1, user switch x 1
LEDs	Power indicator: green x 1, user: green x 2
Pmod™ connectors	Connectors: Angle type, 12 pins x 2
Arduino® connectors	Connectors: 6 pins x 1, 8 pins x 2, 10 pins x 1 The interfaces are compatible with Arduino® UNO R3.
Grove connectors	Interface for Grove modules I2C: x 3

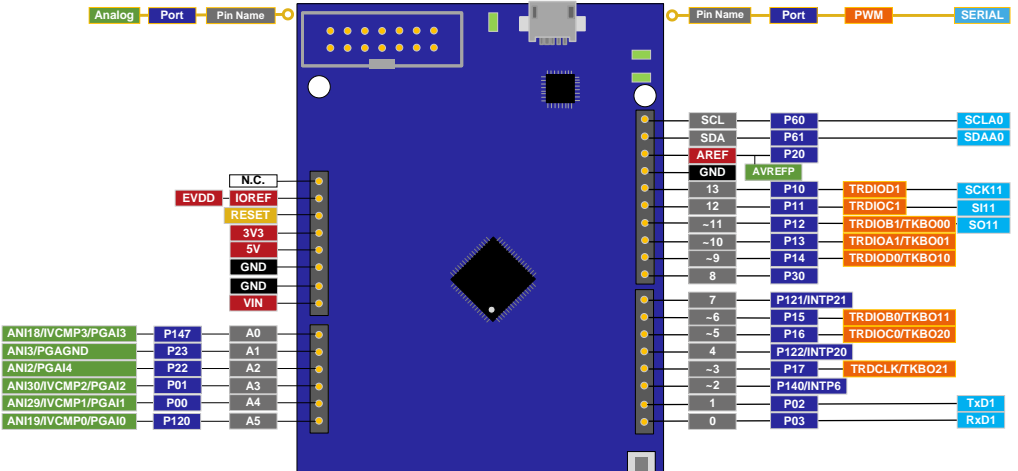
(4) Parts layout



(5) Pmod™ interface



(6) Arduino® interface



(7) Grove interface

GROVE1			GROVE2			GROVE3		
	RL78/G24			RL78/G24			RL78/G24	
Pin 1	Pin 24	P75/SCL01	Pin 1	Pin 29	P70/SCL21	Pin 1	Pin 46	P10/SCL11
Pin 2	Pin 25	P74/SDA01	Pin 2	Pin 28	P71/SDA21	Pin 2	Pin 45	P11/SDA11
Pin 3	-	EVDD	Pin 3	-	EVDD	Pin 3	-	EVDD
Pin 4	-	EVSS	Pin 4	-	EVSS	Pin 4	-	EVSS