

Quick Start Guide

RL78/I1C (512 KB) Fast Prototyping Board

The RL78/I1C (512 KB) Fast Prototyping Board provides an entry point for evaluation, prototyping and development with the RL78/I1C (512 KB) MCU.

Moreover, since this board incorporates an emulator circuit, you can use it for designing your own applications without needing to make further investments in tools. This product includes through-holes for pin headers that allow access to MCU signal pins, allowing easy prototyping with a breadboard.

(1) Package components

- RL78/I1C (512 KB) Fast Prototyping Board (RTK5RL10N0CPL000BJ)
- Quick Start Guide (this document)

(2) Table of board specifications

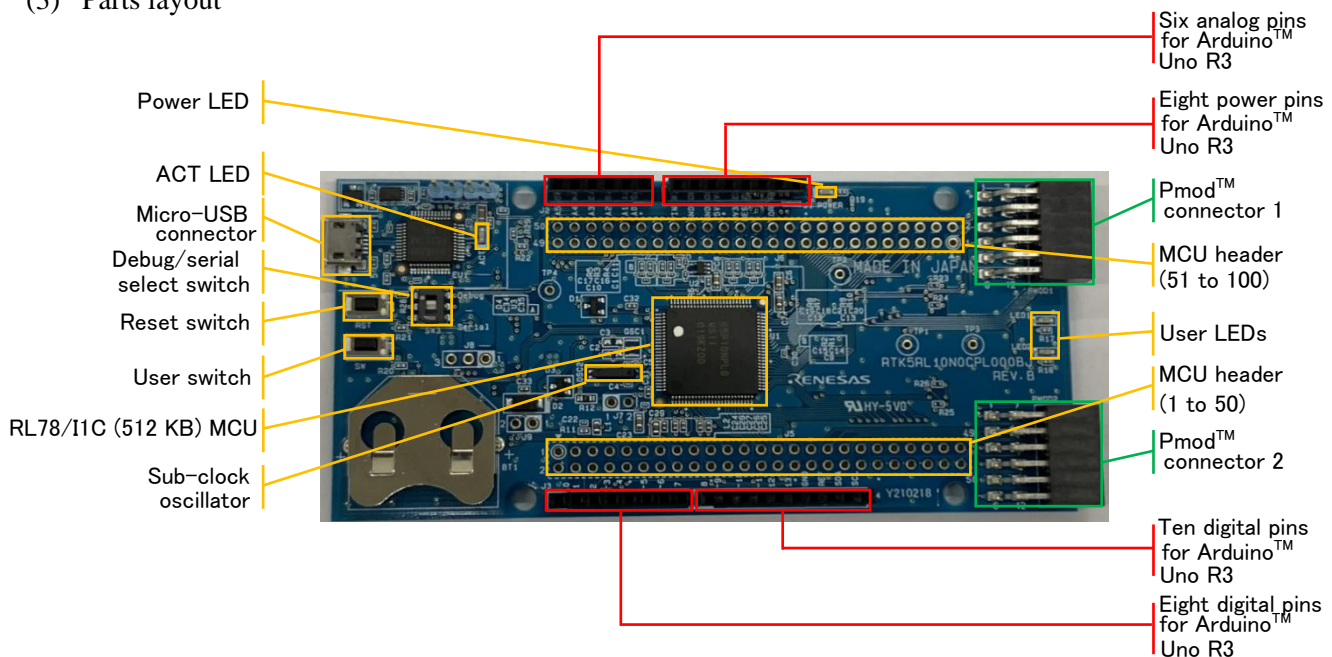
Item	Specification
Evaluation MCU	Part No.: R5F10NPLDFB; package: 100-pin LQFP
	On-chip memory: 512-KB ROM, 32-KB RAM, 2-KB data flash memory
Board size	Size: 53.34 mm x 111.76 mm; thickness: 1.6 mm
Power-supply voltage	VDD: 1.6 V to 5.5 V; EVDD is the same voltage as VDD.
Power-supply circuit	USB connector: VBUS (5-V input); VBUS is converted to 3.3 V by LDO.
	2-pin external power-supply header*1
Push switches	Reset switch x 1; user switch x 1
Debug/serial select switch	Selects debug mode or serial mode.
LEDs	Power indicator: green x 1, user: green x 2, ACT LED: green x 1
USB connector	Connector: Micro USB Type-B
Pmod™ connectors	Connector: Angle type, 12 pins x 2
Arduino™ UNO connectors	Connector: 6 pins x 1, 8 pins x 2, 10 pins x 1 The interface is compatible with Arduino™ UNO R3.
MCU header *1, *2	Header: 50 pins x 2
Coin-cell battery circuit	Coin-cell battery: CR2032 (3 V) holder *3

*1: This part is not mounted. Do not fit (DNF).

*2: Refer to the user's manual for pin assignments.

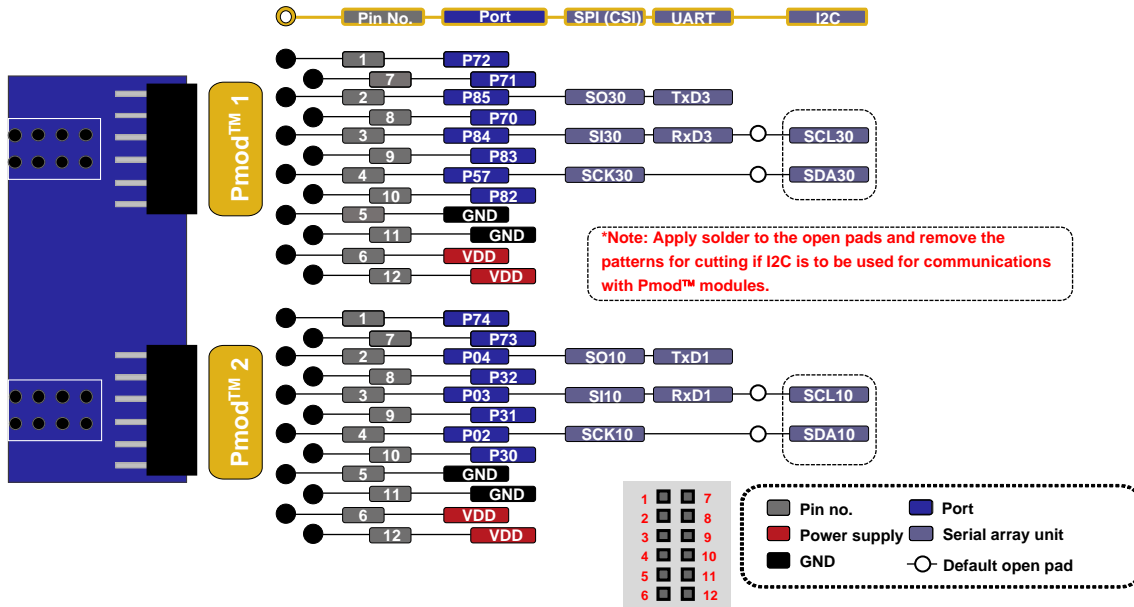
*3: A coin-cell battery is not included.

(3) Parts layout

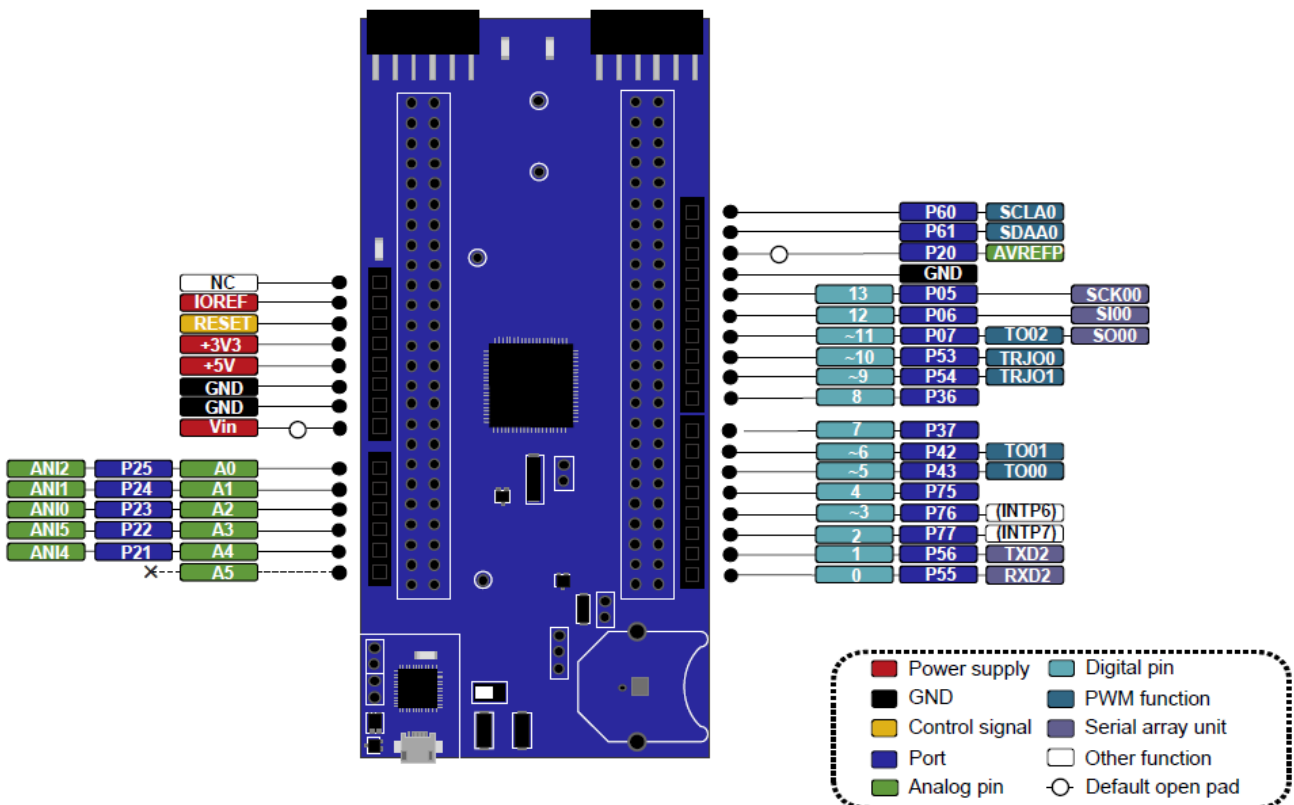


(4) PMOD™ interface

The RL78/I1C (512 KB) Fast Prototyping Board has two Pmod™ connectors for the Type 2A interface.



(5) Arduino™ interface



(6) Note on using the board

Download the user's manual from the Web site below and check the full specifications before using the board.

URL: https://www.renesas.com/rl78i1c-512kb_fpb

