

SLG47003V DIP Adapter

This user guide is intended to familiarize new users with the SLG47003V DIP Adapter. It consists of the description of the board, lists its features, shows top and bottom views, as well as the board schematic.

Contents

1. Description 1

2. Features 1

3. Top View 2

4. Bottom View 2

5. Board Schematic 3

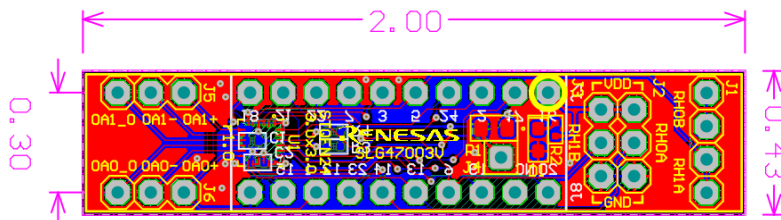
6. Revision History 3

1. Description

The GreenPAK DIP Adapter is a small PCB that lets you adapt STQFN packages into a DIP footprint. This board can speed up your design prototyping and testing. This small board 0.43x2.00 inch uses 20 pins DIP footprint with 0.3-inch width. You can also use this adapter for prototyping by making the STQFN-24 package compatible with solder-free breadboards.

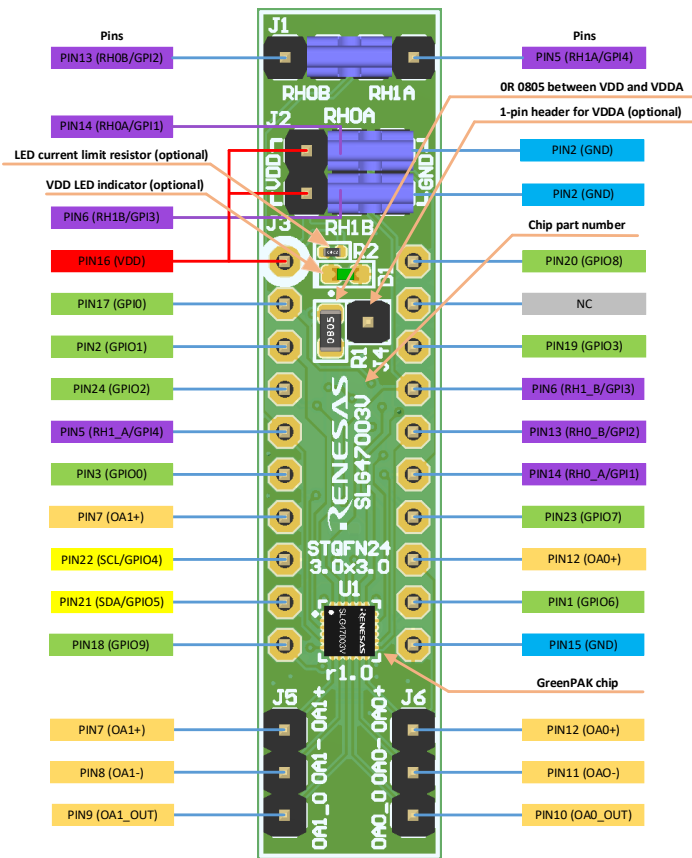
2. Features

- Low cost
- Simplifies prototyping of SMT IC's
- Optional V_{DD} LED indicator
- Decoupling capacitor included
- Optional I²C pull-up resistors
- 0R 0805 resistor for disconnecting V_{DD} and V_{D_{DA}}
- Optional 1-pin header for V_{D_{DA}}

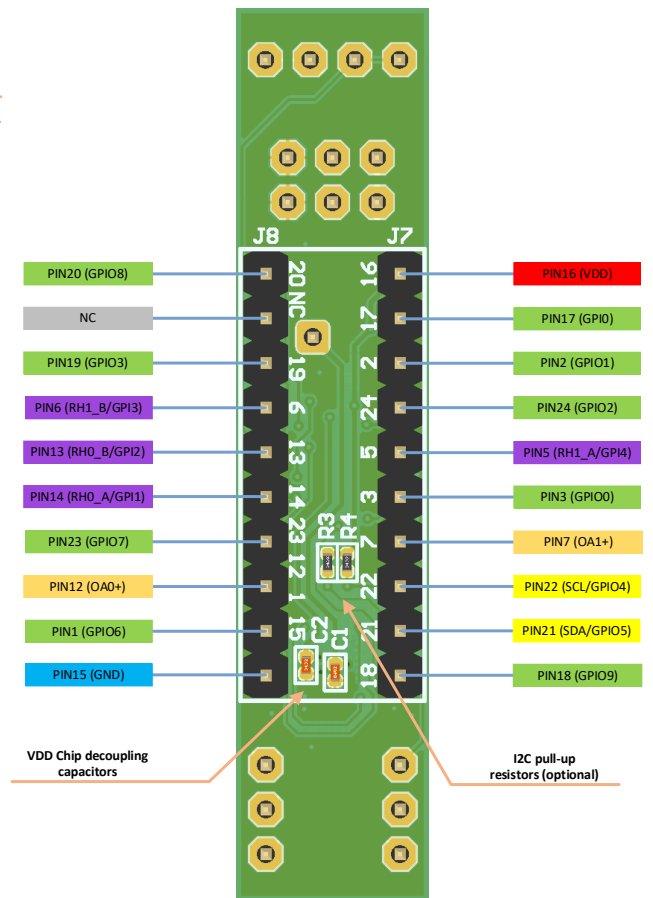


Note 1: All sizes in inches

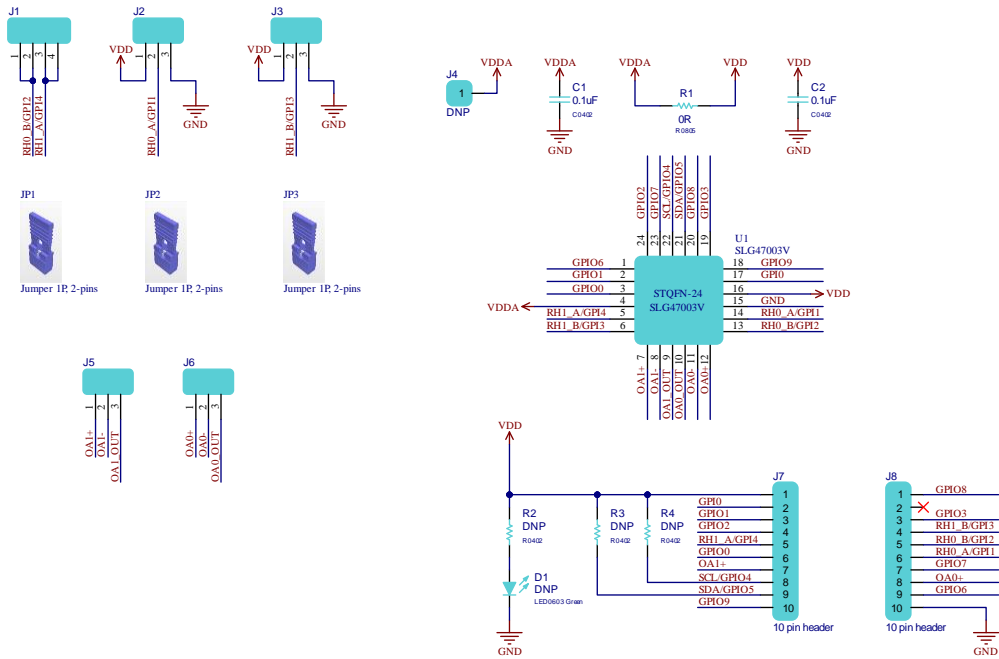
3. Top View



4. Bottom View



5. Board Schematic



6. Revision History

Revision	Date	Description
1.01	Feb 17, 2025	Fixed typos Corrected document number
1.00	June 4, 2024	Initial release