

---

# RZ/V2MA DRP-AI Support Package Version.7.40

R11AN0592EJ0740

Version.7.40

Jul.31.2023

## Release Note

---

### Introduction

This release note describes the contents of the RZ/V2MA DRP-AI Support Package and how to construct its operating environments.

## Contents

1. Release Items.....	4
2. Operating Environment.....	7
2.1 Translate Environment .....	7
2.2 Build Environment .....	7
2.3 Boot Environment .....	7
2.4 Compile Environment .....	7
2.5 Execution Environment .....	7
3. Build .....	8
3.1 Preparation .....	8
3.1.1 Operating Environment .....	8
3.1.2 Recipe Configuration.....	9
3.2 Build Instructions .....	10
3.2.1 Install Software Package.....	10
3.2.2 Add the Environmental Variable.....	10
3.2.3 Unzip the DRP-AI Support Package Recipe .....	10
3.2.4 Set the Build Environment Variable .....	11
3.2.5 Build.....	11
4. Network Booting .....	12
4.1 Hardware Configuration .....	12
4.2 Preparation .....	13
4.2.1 Equipment .....	13
4.2.2 Files for Booting.....	14
4.2.3 Software Package .....	14
4.3 Setup .....	15
4.3.1 Build TFTP Server.....	15
4.3.2 Setup the Files for TFTP Server.....	16
4.3.3 Build NFS Server.....	16
4.3.4 Setup the Files for NFS Server .....	17
4.3.5 Setup the Static IP Address .....	17
4.3.6 Setup the Serial Communication.....	18
4.4 Boot .....	19
5. SD Card Booting.....	20
5.1 Hardware Configuration .....	20
5.2 Preparation .....	21
5.2.1 Equipment .....	21
5.2.2 Files for Booting.....	21
5.2.3 Software Package .....	21

---

5.3	Setup .....	22
5.3.1	Setup the SD Card .....	22
5.3.2	Install the Serial Port Driver.....	22
5.4	Boot .....	23
6.	SDK.....	24
6.1	About the SDK.....	24
6.2	Build SDK .....	24
6.3	Install SDK.....	25
	Version History .....	26

## 1. Release Items

The release items in the RZ/V2MA DRP-AI Support Package are as follows.

- **Name and Version**

RZ/V2MA DRP-AI Support Package Version.7.40

- **Target Board**

RZ/V2MA Evaluation Board Kit

Note: For the settings of RZ/V2MA Evaluation Board Kit, please refer to the RZ/V Verified Linux Package Start-Up Guide for RZ/V2MA (R01US0578).

- **Features**

1. RZ/V2MA DRP-AI Driver

This is a Linux Package Recipe to use DRP-AI on RZ/V2MA.

2. RZ/V2L, RZ/V2M, RZ/V2MA AI Implementation Guide

This is a guide on how to implement the AI model in RZ/V2L, RZ/V2M and RZ/V2MA.

3. RZ/V2MA AI Evaluation Software

This is a software to evaluate AI models on RZ/V2MA without coding.

4. RZ/V2MA DRP-AI Sample Application

This is a set of sample applications for DRP-AI on RZ/V2MA.

5. RZ/V2L, RZ/V2M, RZ/V2MA DRP-AI Accuracy Report

This is a report of evaluating the accuracy of AI models on DRP-AI.

6. RZ/V2L, RZ/V2M, RZ/V2MA DRP-AI Performance Report

This is a report of evaluating the performance of AI models on DRP-AI.

Notes: Updated RZ/V2MA Linux Package V1.1.0 to RZ/V Verified Linux Package V3.0.4.

- **File Contents**

Table 1-1 shows the list of contents in this package.

**Table 1-1 Contents list**

Contents	Explanation
📄 r11an0592ej0740-rzv2ma-drpai-sp.pdf	This document.
📁 rzv2ma_drpai-driver	RZ/V2MA DRP-AI Driver.
📄 meta-rz-drpai.tar.gz	Recipe to deploy DRP-AI Driver V2.10.
📄 r01us0595ej0201-rzv-linux-drpai.pdf	DRP-AI Driver User's Manual (English).
📁 rzv_ai-evaluation-software	AI Evaluation Software.
📄 r11an0624jj0740-rzv-ai-eva-soft-guide.pdf	Document (Japanese).
📄 r11an0624ej0740-rzv-ai-eva-soft-guide.pdf	Document (English).
📄 rzv2ma_ai-evaluation-software_ver7.40.tar.gz	Software environment.
📁 rzv2ma_drpai-sample-application	DRP-AI Sample Application.
📄 r11an0593ej0740-rzv2ma-drpai-application-note.pdf	Document (English).
📄 rzv2ma_drpai-sample-application_ver7.40.tar.gz	Sample code.
📁 rzv_ai-implementation-guide	AI Implementation Guide.
📄 r11an0616jj0740-rzv-ai-imp-getstarted.pdf	Document (Japanese).
📄 r11an0616ej0740-rzv-ai-imp-getstarted.pdf	Document (English).
📄 rzv_ai-implementation-guide_ver7.40.tar.gz	Sample code.
📁 pytorch_resnet	Sample of PyTorch ResNet.
📄 r11an0617jj0740-rzv-ai-imp-resnet.pdf	Document (Japanese).
📄 r11an0617ej0740-rzv-ai-imp-resnet.pdf	Document (English).
📄 pytorch_resnet_ver7.40.tar.gz	Sample code.
📁 pytorch_mobilenet	Sample of PyTorch MobileNet.
📄 r11an0618jj0740-rzv-ai-imp-mobilenet.pdf	Document (Japanese).
📄 r11an0618ej0740-rzv-ai-imp-mobilenet.pdf	Document (English).
📄 pytorch_mobilenet_ver7.40.tar.gz	Sample code.
📁 pytorch_deeplabv3	Sample of PyTorch DeepLabV3.
📄 r11an0619jj0740-rzv-ai-imp-deeplabv3.pdf	Document (Japanese).
📄 r11an0619ej0740-rzv-ai-imp-deeplabv3.pdf	Document (English).
📄 pytorch_deeplabv3_ver7.40.tar.gz	Sample code.
📁 darknet_yolo	Sample of Darknet YOLOv3/v2, Tiny YOLOv3/v2.
📄 r11an0620jj0740-rzv-ai-imp-yolo.pdf	Document (Japanese).
📄 r11an0620ej0740-rzv-ai-imp-yolo.pdf	Document (English).
📄 darknet_yolo_ver7.40.tar.gz	Sample code.
📁 mmpose_hrnet	Sample of MMPose HRNet.
📄 r11an0621jj0740-rzv-ai-imp-hrnet.pdf	Document (Japanese).
📄 r11an0621ej0740-rzv-ai-imp-hrnet.pdf	Document (English).
📄 mmpose_hrnet_ver7.40.tar.gz	Sample code.
📁 appendix	AI Implementation Guide appendix.
📄 r11an0622jj0740-rzv-ai-imp-appendix.pdf	Document for Tensorflow MobileNet (Japanese).
📄 r11an0622ej0740-rzv-ai-imp-appendix.pdf	Document for Tensorflow MobileNet (English).
📁 rzv_drpai-report	RZ/V2MA DRP-AI Reports.
📄 r11an0657ej0740-rzv-drpai-performance-report.pdf	DRP-AI Performance Report (English).
📄 r11an0628ej0720-rzv-drpai-accuracy-report.pdf	DRP-AI Accuracy Report (English).

- **Related Packages**

1. RZ/V Verified Linux Package ver3.0.4 or later
2. RZ/V2MA Video Codec Package Version 0.9.7 or later
3. DRP-AI Translator v1.82 or later

- **Related Documents**

1. RZ/V Verified Linux Package Release Note (R01US0565)
2. RZ/V Verified Linux Package Start-Up Guide for RZ/V2MA (R01US0578)
3. RZ/V2MA Video Codec Integration Guide (R01US0600)
4. DRP-AI Translator User's Manual (R20UT5010)

## 2. Operating Environment

This package uses five different environments.

Note: For the environment of AI Evaluation Software, please refer to the RZ/V2L, RZ/V2M, RZ/V2MA AI Evaluation Software Guide.

### 2.1 Translate Environment

This is the environment for translating AI model on Linux PC (Ubuntu 20.04).

Please refer to RZ/V2L, RZ/V2M, RZ/V2MA AI Implementation Guide for details of this environment.

### 2.2 Build Environment

This is the environment for building Linux Package of RZ/V2MA on Linux PC (Ubuntu 20.04 LTS).

Please refer to RZ/V Verified Linux Package Start-Up Guide for RZ/V2MA (R01US0578) and 3 Build for the details of this environment.

Note: **DRP-AI Support package cannot be built on an “offline” environment.**

### 2.3 Boot Environment

This is the environment for booting the Linux OS on RZ/V2MA.

There are two booting methods, Network and SD card.

1. Network Booting environment

Please refer to 4.Network Booting for the details of this environment.

2. SD Card Booting environment

Please refer to 5.SD Card Booting for the details of this environment.

### 2.4 Compile Environment

This is the environment for cross-compiling the Linux application on Linux PC (Ubuntu 20.04 LTS) using RZ/V2MA Linux Standard Development Kit (SDK).

Please refer to 6. SDK for the details of this environment.

### 2.5 Execution Environment

This is the environment for executing the Linux application on RZ/V2MA.

Please refer to RZ/V2MA DRP-AI Sample Application Note for the details of this environment.

### 3. Build

This chapter will explain the procedure to deploy DRP-AI Driver to RZ/V2MA Linux Package.

Before reading this chapter, please allocate RZ/V2MA Linux Package and prepare the configuration files (bblayers.conf and local.conf) as explained in the RZ/V Verified Linux Package Start-Up Guide for RZ/V2MA (R01US0578).

**Note: If you use DRP-AI Support Package, you need to apply RZ/V2MA Video Codec Package.**

Please refer to RZ/V2MA Video Codec Integration Guide (R01US0600) to apply the RZ/V2MA Video Codec Package to the Build Environment.

**Note: DRP-AI Support package cannot be built on an “offline” environment.**

### 3.1 Preparation

#### 3.1.1 Operating Environment

Please refer to the RZ/V Verified Linux Package Start-Up Guide for RZ/V2MA (R01US0578) for the operating environment.



### 3.1.2 Recipe Configuration

This chapter uses meta-rz-drpai.tar.gz, which content is shown below.

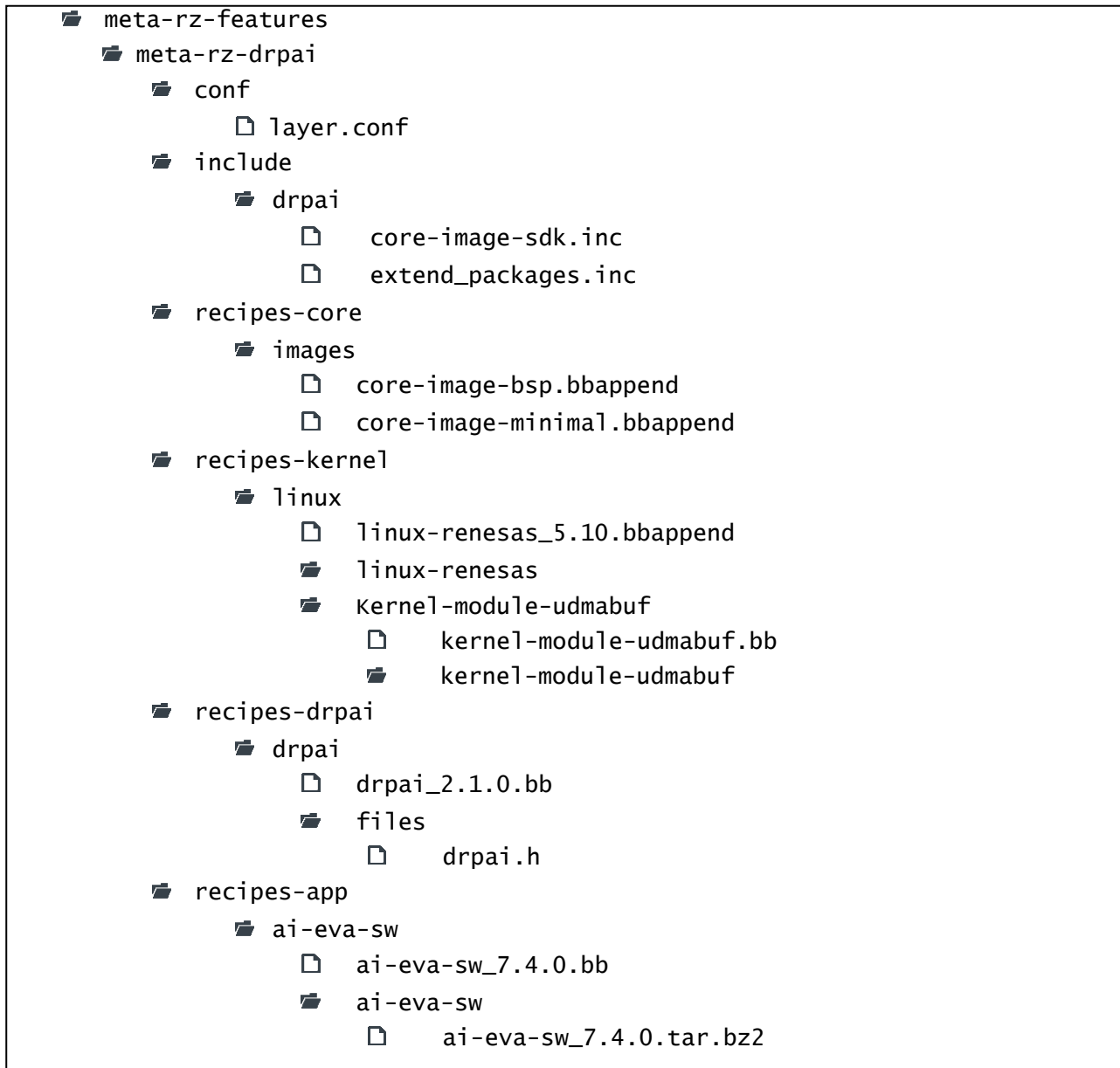


Figure 3-1 Directory Structure of Recipe

## 3.2 Build Instructions

### 3.2.1 Install Software Package

Please install the following package for environment setup on Ubuntu PC. These are common necessary software package for this chapter.

```
$ sudo apt-get update
$ sudo apt-get install gawk wget git-core diffstat unzip texinfo \
gcc-multilib build-essential chrpath socat cpio python3 python3-pip \
python3-pexpect xz-utils debianutils iputils-ping python3-git \
python3-jinja2 libegl1-mesa libsdl1.2-dev pylint3 xterm \
python3-subunit mesa-common-dev
```

### 3.2.2 Add the Environmental Variable

As in the RZ/V Verified Linux Package Start-Up Guide for RZ/V2MA (R01US0578), set the working directory as the environmental variable.

```
$ export WORK=/home/user/user_work
```

Note: Specify the working directory in red above according to your machine. Example above uses “user/user\_work”.

### 3.2.3 Unzip the DRP-AI Support Package Recipe

Place the rzv2ma\_drpai-driver directory to the working directory and run the following command.

```
$ cd $WORK
$ tar -zxvf ./rzv2ma_drpai-driver/meta-rz-drpai.tar.gz
```

After executed the command, meta-rz-drpai directory will be shown in meta-rz-features directory.

```
WORK
├── build
├── meta-gplv2
├── meta-openembedded
├── meta-renesas
├── meta-rz-features
│   ├── meta-rz-bootloaders
│   └── meta-rz-drpai
├── poky
├── rzv2ma_drpai-driver
└── meta-rz-drpai.tar.gz
```

### 3.2.4 Set the Build Environment Variable

Run the following command to set the environment variable for the build.

Note: The environmental variable will be reset if the terminal is closed. Please run the command for each time you open the terminal.

```
$ cd $WORK
$ TEMPLATECONF=$PWD/meta-renesas/meta-rzv2m/docs/template/conf/ source \
poky/oe-init-build-env build
$ bitbake-layers add-layer ../meta-rz-features/meta-rz-drpai
```

### 3.2.5 Build

Run the bitbake command to build the Linux Package.

```
$ cd $WORK/build
$ MACHINE=rzv2ma bitbake core-image-bsp
```

After the Build, following files will be generated under \$WORK/build/tmp/dep1oy/images/rzv2ma.

**Table 3-1 Generated Files after Build**

Filename	Name
Image-rzv2ma.bin	Linux Kernel Image
r9a09g055ma3gbg-evaluation-board.dtb	Linux Device Tree File
core-image-bsp-rzv2ma.tar.bz2	A set of root filesystem

## 4. Network Booting

This chapter will explain the procedure for the Network Booting.

Network Booting is a booting method that mount the server on Ubuntu PC to access the files which are extracted to memory on the RZ/V2MA Evaluation Board Kit.

### 4.1 Hardware Configuration

Figure 4-1 shows the hardware configuration for the Network Booting.

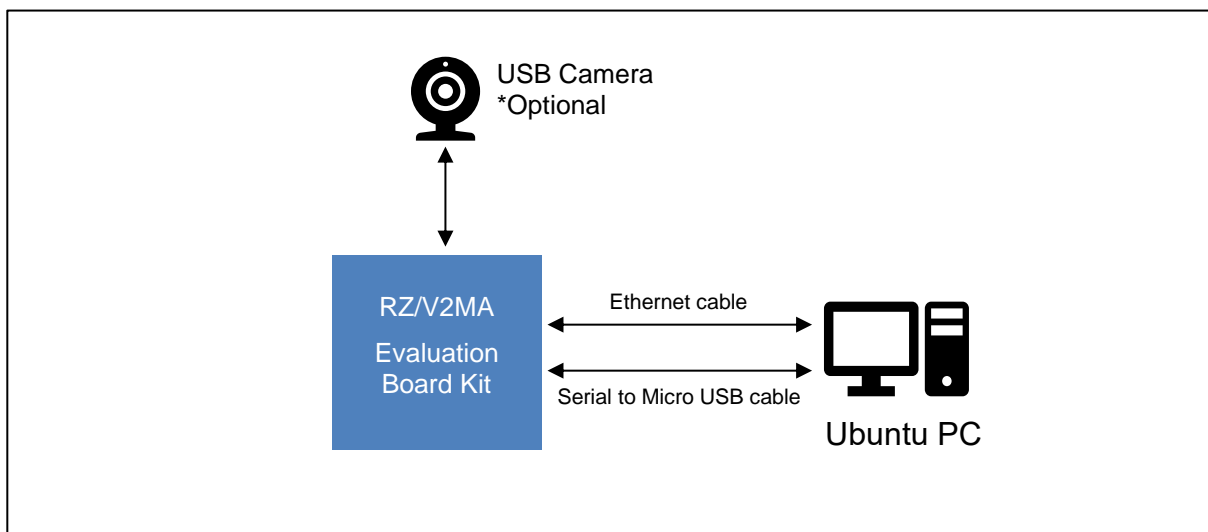


Figure 4-1 Hardware Configuration

## 4.2 Preparation

### 4.2.1 Equipment

Necessary equipment for Network Booting is as follows.

**Table 4-1 Necessary Equipment for Network Booting**

Equipment	Details
RZ/V2MA Evaluation Board Kit	Evaluation board kit for RZ/V2MA. For board setup and other information, see RZ/V Verified Linux Package Start-Up Guide for RZ/V2MA (R01US0578).
Linux PC	Used as build/debug environment for RZ/V2MA Linux software. 100GB of free space on HDD is necessary.
- OS	Ubuntu 20.04 LTS. Use a 64bit OS.
- TFTP server	Used for downloading the Linux kernel to board.
- NFS server	Used for mounting rootfs via NFS.
Serial to Micro USB Cable	Used for serial communication between PC and board.
Ethernet cable	Used for ethernet communication between Linux PC and board.
USB camera	(Optional) Used for image capture. Operation Environment: Logicool C930e Web Cam
- Type-C to USB-A Adaptor	(Optional) Necessary since USB port on board is Type-C. Operation Environment: SANWA AD-USB28CAF

### 4.2.2 Files for Booting

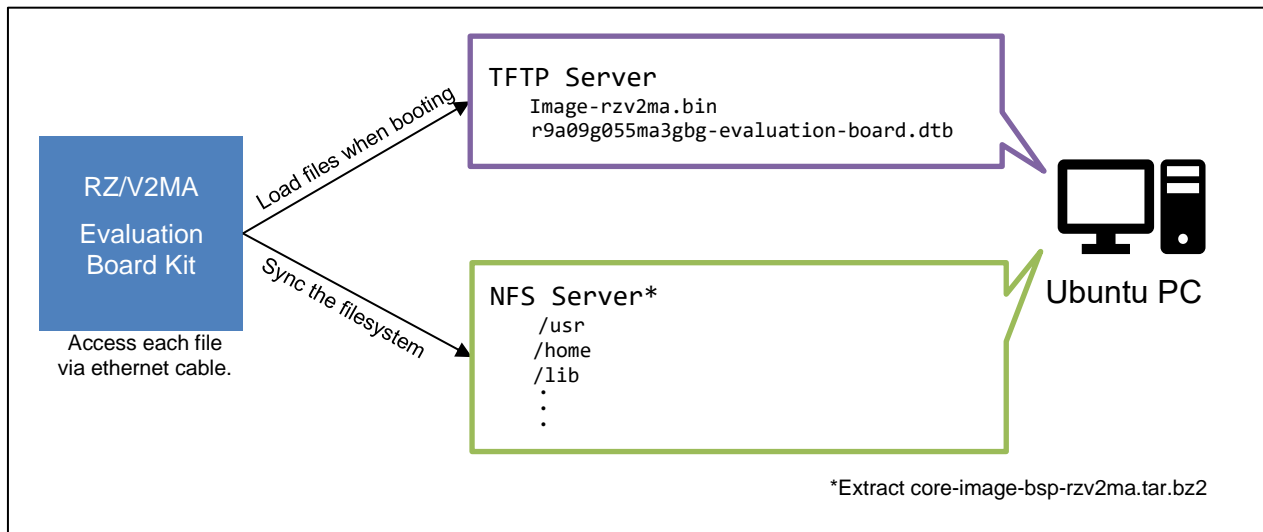
Table 4-2 shows the necessary files for booting and their mounted server.

**Table 4-2 Necessary Files for Network Booting**

Filename	Description	Mounted Server
Image-rzv2ma.bin	Linux Kernel Image (The boot program)	TFTP server on Ubuntu PC
r9a09g055ma3gbg-evaluation-board.dtb	Linux Device Tree File (The configuration file for booting)	TFTP server on Ubuntu PC
core-image-bsp-rzv2ma.tar.bz2	A set of root filesystem	NFS server on Ubuntu PC

Note: All files listed above are created in 3 Build.

Necessary files listed above will be mounted to RZ/V2MA Evaluation Board Kit as described below.



**Figure 4-2 Network Booting Overview**

### 4.2.3 Software Package

Please install the following packages and packages used in the 3.2.1 Install Software Package.

These are common necessary software package for this chapter.

```
$ sudo apt-get install tftp tftpd-hpa nfs-common nfs-kernel-server cu
```

## 4.3 Setup

### 4.3.1 Build TFTP Server

This section will explain how to build TFTP server which will mount the boot program.

Please complete the instruction in 4.2.3. Software Package before reading this section.

This section uses following packages.

- tftp
- tftpd-hpa

1. Create a directory for TFTP server.

```
$ sudo mkdir /tftpboot
```

Note: Directory name will be used at booting step. Please use the above directory name.

2. Setup the TFTP server configuration file.

Edit /etc/default/tftpd-hpa file and change "TFTP\_DIRECTORY" as the following configuration.

```
# /etc/default/tftpd-hpa
TFTP_USERNAME="tftp"
TFTP_DIRECTORY="/tftpboot"
TFTP_ADDRESS=":69"
TFTP_OPTIONS="--secure"
```

3. Start TFTP server.

```
$ sudo systemctl enable tftpd-hpa
$ sudo systemctl restart tftpd-hpa
```

4. Confirm the TFTP server is successfully started.

Execute the following commands.

```
$ sudo chmod 777 /tftpboot
$ sudo echo "hello" > /tftpboot/hello.txt
$ sudo tftp localhost
> get hello.txt
```

If the command returns without any errors, the TFTP server is built successfully

Note: If above command did not show the expected result, please restart the Ubuntu PC, and try it again.

### 4.3.2 Setup the Files for TFTP Server

Extract following two files on the TFTP server.

- Image-rzv2ma.bin
- r9a09g055ma3gbg-evaluation-board.dtb

Please execute the following command on Ubuntu PC, which the TFTP server is already started.

Note: <PATH\_to\_FILE> is a path to the above files.

```
$ sudo cp <PATH_to_FILE>/Image-rzv2ma.bin /tftpboot
$ sudo cp <PATH_to_FILE>/r9a09g055ma3gbg-evaluation-board.dtb /tftpboot
```

### 4.3.3 Build NFS Server

This section will explain how to build the NFS server that will mount the root filesystem.

Please complete the instruction in 4.2.3. Software Package before reading this section.

This section uses following packages.

- nfs-common
- nfs-kernel-server

1. Create a directory for NFS server.

```
$ sudo mkdir /nfs/rzv2m -p
```

Note: Directory name will be used at booting step. Please use the above directory name.

2. Start the NFS server.

```
$ sudo /etc/init.d/nfs-kernel-server start
```

3. Modify the NFS server configuration.

Add the following line at the end of /etc/exports file.

```
...
/nfs/rzv2m *(rw,no_subtree_check, sync, no_root_squash)
```

4. Refresh the NFS server.

```
$ sudo exportfs -a
```

5. Confirm that the NFS server is successfully started.

Execute the following command. If the same result is shown, the NFS server is successfully started.

```
$ showmount -e localhost
Export list for localhost:
/nfs/rzv2m *
```

Note: If above command did not show the expected result, please restart the Ubuntu PC, and try it again.



#### 4.3.4 Setup the Files for NFS Server

Extract the following file on the NFS server.

- core-image-bsp-rzv2ma.tar.bz2

Please execute the following command on Ubuntu PC, which the NFS server is already started.

Note: <PATH\_to\_FILE> is a path to the above files

```
$ sudo tar xvj <PATH_to_FILE>/core-image-bsp-rzv2ma.tar.bz2 -C /nfs/rzv2m
```

#### 4.3.5 Setup the Static IP Address

In order to have ethernet communication between Ubuntu PC and RZ/V2MA Evaluation Board Kit, the IP address of Ubuntu PC must be static.

1. Disable the default network setting. The yaml filename may be different depending on the environment.

```
$ sudo mv /etc/netplan/01-network-manager-all.yaml \
/etc/netplan/01-network-manager-all.yaml.disabled
```

2. Create /etc/netplan/99-netcfg.yaml and add the following line.

```
network:
  version: 2
  ethernets:
    enp0s3:
      addresses: [192.168.1.10/24]
      gateway4: 192.168.1.1
      nameservers:
        addresses: [192.168.1.1]
        search: []
      optional: true
```

Note1: The name "enp0s3" may be different depending on the environment.

Note2: Since IP address stated here will be used when booting, please use the above address.

3. Restart the network.

```
$ sudo netplan apply
```

### 4.3.6 Setup the Serial Communication

Please execute the instructions explained in this section on Ubuntu PC.

Network booting assumes the serial communication will be done between Ubuntu PC and RZ/V2MA Evaluation Board Kit.

Please complete the instruction in 4.2.3. Software Package before reading this section.

This section uses following packages.

- cu

1. Connect Ubuntu PC and RZ/V2MA Evaluation Board Kit with the Serial to Micro USB Cable.
2. On Ubuntu PC, retrieve the name of serial port by executing the following command.

```
$ ls -l /dev/serial/by-id/  
total 0  
...-> ../../ttyUSB0
```

3. Change the permission of serial port.

```
$ sudo chmod 666 /dev/ttyUSB0
```

4. Execute the following command to start the serial communication.

```
$ cu -s 115200 -l /dev/ttyUSB0 --parity none --nostop
```

The configuration for serial communication is as follows.

Configuration Item	Value
Baud rate	115200
Data bit	8bit
Parity	none
Stop bit	1bit

5. Open another console on the Ubuntu PC and change "crtstcts" option.

```
$ stty -F /dev/ttyUSB0 -crtstcts
```

6. To end the communication, enter "~.".

## 4.4 Boot

This chapter will explain how to boot from the network.

Board information such as switch configuration will not be explained.

Please write the loader files to eMMC.

For more details about switch configuration and how to write the loader files, please refer to RZ/V Verified Linux Package Start-Up Guide for RZ/V2MA (R01US0578).

1. Setup the hardware according to 4.1 Hardware Configuration.
2. Start the server on the Ubuntu PC.  
Normally, the server starts automatically when PC is booted up.
3. Carry out the serial communication according to 4.3.6 Setup the Serial Communication.
4. Turn on the RZ/V2MA Evaluation Board Kit and change the U-boot environment variable.  
Note: Only when switching the booting method from SD Card Booting

- (1) After turned on the RZ/V2MA Evaluation Board Kit, keep pressing the ENTER key.
- (2) The U-boot console will be activated.

```
=> env default -a
=> setenv ipaddr 192.168.1.11
=> setenv serverip 192.168.1.10
=> setenv bootcmd run bootnfs
=> saveenv
=> boot
```

- (3) Enter the following commands.

Details of above setting are as follow.

ipaddr : IP address of RZ/V2MA Evaluation Board Kit

serverip : IP address of Ubuntu PC (IP address defined in 4.3.5 Setup the Static IP Address)

bootcmd : boot command

5. After the boot-up, login screen will be shown on serial communication console.

Login information is as follows.

user: "root"

password: none

## 5. SD Card Booting

This chapter will explain about the SD Card Booting.

SD Card Booting is a booting method that mount the microSD card to access the files which are extracted to memory on the RZ/V2MA Evaluation Board Kit.

### 5.1 Hardware Configuration

Figure 5-1 shows the hardware configuration for SD Card Booting.

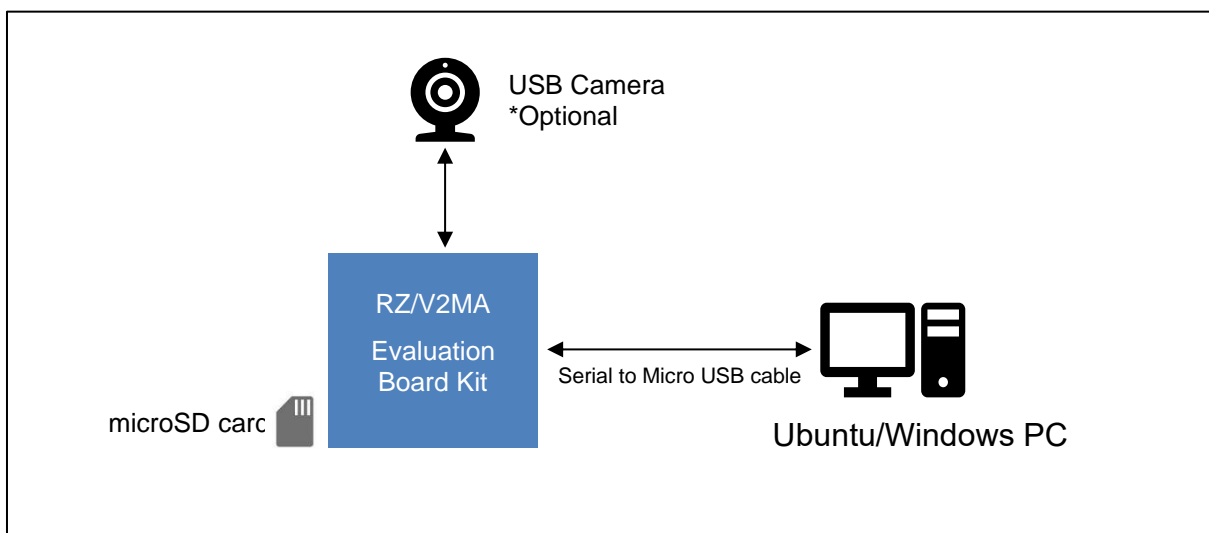


Figure 5-1 Hardware Configuration

## 5.2 Preparation

### 5.2.1 Equipment

Necessary equipment for SD Card Booting is as follows.

**Table 5-1 Necessary Equipment for SD Card Booting**

Equipment	Details
RZ/V2MA Evaluation Board Kit	Evaluation board kit for RZ/V2MA. For board setup and other information, see RZ/V Verified Linux Package Start-Up Guide for RZ/V2MA (R01US0578).
Linux PC	Used for creating microSD card. 100GB of free space on HDD is necessary.
- OS	Ubuntu 20.04 LTS. Use a 64bit OS.
- SD card reader	Used for creating microSD card.
Windows PC	Used for Serial communication display.
- OS	Windows 10
- Terminal software	Used for controlling serial console of the target board. Operation Environment: Tera Term
- Serial port driver	Virtual COM Port driver which enables to communicate Windows PC and the target board via USB which is virtually used as serial port.
Serial to Micro USB Cable	Used for serial communication between PC and board.
Ethernet cable	Used for ethernet communication between Linux PC and board.
microSD card	Used for SD Card Booting. Operation Environment: Transcend UHS-I microSD 300S 16GB
USB camera	(Optional) Used for image capture. Operation Environment: Logitech C930e Web Cam
- Type-C to USB-A Adaptor	(Optional) Necessary since USB port on board is Type-C. Operation Environment: SANWA AD-USB28CAF

### 5.2.2 Files for Booting

Table 5-2 shows the necessary files for SD Card Booting and their mounted partition on microSD card.

**Table 5-2 Necessary Files for SD Card Booting**

Filename	Description	Mounted Server
Image-rzv2ma.bin	Linux Kernel Image (The boot program)	Partition 1
r9a09g055ma3gbg-evaluation-board.dtb	Linux Device Tree File (The configuration file for booting)	Partition 1
core-image-bsp-rzv2ma.tar.bz2	A set of root filesystem	Partition 2

Note: All files listed above are created in 3 Build.

### 5.2.3 Software Package

Please install the packages used in the 3.2.1 Install Software Package before executing this chapter.

## 5.3 Setup

### 5.3.1 Setup the SD Card

Please execute the instructions explained in this section on Ubuntu PC.

1. Format the microSD card as shown in the following table according to the RZ/V Verified Linux Package Start-Up Guide for RZ/V2MA (R01US0578).

**Table 5-3 Format of MicroSD Card**

Partition No.	Size	Format
1	128MB or more	fat32
2	The rest	ext4

2. Setup the partition 1

Confirm the microSD card is inserted to Ubuntu PC and execute the following command.

Notes: /dev/sdb is the device number for microSD card. Change it according to your system.  
<PATH\_to\_FILE> is a path to each file.

```
$ sudo mkdir -p /mnt/sd
$ sudo mount /dev/sdb1 /mnt/sd
$ sudo cp <PATH_to_FILE>/Image-rzv2ma.bin /mnt/sd
$ sudo cp <PATH_to_FILE>/r9a09g055ma3gbg-evaluation-board.dtb /mnt/sd
$ sync
$ sudo umount /mnt/sd
```

3. Setup the partition 2

Confirm the microSD card is inserted to Ubuntu PC and execute the following command.

Notes: /dev/sdb is the device number for microSD card. Change it according to your system.  
<PATH\_to\_FILE> is a path to each file.

```
$ sudo mount /dev/sdb2 /mnt/sd
$ sudo tar xvj <PATH_to_FILE>/core-image-bsp-rzv2ma.tar.bz2 -C /mnt/sd
$ sync
$ sudo umount /mnt/sd
```

4. Eject the microSD card from Ubuntu PC.

### 5.3.2 Install the Serial Port Driver

In order to carry out the serial communication between Windows PC and RZ/V2MA Evaluation Board Kit, following serial port driver must be installed.

<https://www.silabs.com/developers/usb-to-uart-bridge-vcp-drivers>

Download the “CP210x Windows Drivers” and extract it.

Execute the x64 exe file extracted to install the serial port driver.

## 5.4 Boot

This section will explain how to boot-up from the microSD card.

Board information such as switch configuration will not be explained.

Please write the loader files to eMMC.

For more details about switch configuration and how to write the loader files, please refer to the RZ/V Verified Linux Package Start-Up Guide for RZ/V2MA (R01US0578).

1. Setup the hardware according to 5.1 Hardware Configuration.
2. Carry out the serial communication.  
For Ubuntu PC, refer to the 4.3.6 Setup the Serial Communication.  
For Windows PC, use the terminal emulator software.

Configuration for serial communication is as follows.

Configuration items	Value
Baud rate	115200
Data bit	8bit
Parity	none
Stop bit	1bit

3. Turn on the RZ/V2MA Evaluation Board Kit and change the U-boot environment variable.

Note: Only when switching the booting method from Network Booting.

- (1) After turned on the RZ/V2MA Evaluation Board Kit, keep pressing the ENTER key.
- (2) The U-boot console will be activated.
- (3) Enter the following commands.

```
=> env default -a
=> setenv bootcmd run bootsd
=> saveenv
=> boot
```

Details of above setting are as follow.

bootcmd: boot command

4. After the boot-up, login screen will be shown on serial communication console.

Login information is as follows.

user: "root"

password: none

## 6. SDK

This chapter will explain how to construct the Compile Environment, SDK, which is necessary to compile a RZ/V2MA Linux application.

The compiling procedures are explained in the RZ/V2MA DRP-AI Sample Application Note.

This chapter assumes that procedures explained in the 3 Build are already executed and Build Environment is already prepared.

### 6.1 About the SDK

SDK (Software Development Kit) is a development environment that will allow users to cross-compile the C/C++ source code for RZ/V2MA Linux (ARM64).

### 6.2 Build SDK

In the working directory, which is set in 3.2.2 Add the Environmental Variable, run the following command.

```
$ cd $WORK
$ TEMPLATECONF=$PWD/meta-renesas/meta-rzv2m/docs/template/conf/ source \
poky/oe-init-build-env build
$ MACHINE=rzv2ma bitbake core-image-bsp -c populate_sdk
```

After the Build, following files will be generated under \$WORK/build/tmp/dep1oy/sdk.

**Table 6-1 Generated Files after Build**

Filename	Name
poky-glibc-x86_64-core-image-bsp-aarch64-rzv2ma-toolchain-x.x.x.sh	SDK Installer Shell Script

Note: "x.x.x" is replaced by SDK version.



### 6.3 Install SDK

This section uses the file generated in 6.2 Build SDK.

1. On Ubuntu PC, run the following command.

```
$ cd $WORK/build/tmp/deploY/sdk/
$ sudo sh poky-glibc-x86_64-core-image-bsp-aarch64-rzv2ma-toolchain-x.x.x.sh
```

Note: “x.x.x” is replaced by SDK version.

In the Installer, specify the SDK installation directory and enter “Y”.

Example below installs the SDK to default directory, “/opt/poky/x.x.x”.

```
Poky (Yocto Project Reference Distro) SDK installer version x.x.x
=====
Enter target directory for SDK (default: /opt/poky/x.x.x):
You are about to install the SDK to "/opt/poky/x.x.x". Proceed[Y/n]? Y
Extracting SDK.....done
Setting it up...done
Setup /etc/ld.so.conf for the SDK with multilib environment
SDK has been successfully set up and is ready to be used.
Each time you wish to use the SDK in a new shell session, you need to source
the environment setup script e.g.
$ . /opt/poky/x.x.x/environment-setup-aarch64-poky-linux
$ . /opt/poky/x.x.x/environment-setup-armv7vet2hf-neon-vfpv4-pokym11ib32-
linux-gnueabi
```

2. Confirm that following directories and files are generated under the specified directory.

Note: “/opt/poky/x.x.x” will be replaced with your SDK installed path.

```

└─ opt
  └─ poky
    └─ x.x.x
      └─ sysroots
          └─ environment-setup-aarch64-poky-linux
          └─ environment-setup-armv7vet2hf-neon-vfpv4-pokym11ib32-linux-
              gnueabi
          └─ site-config-aarch64-poky-linux
          └─ site-config-armv7vet2hf-neon-vfpv4-pokym11ib32-linux-gnueabi
          └─ version-aarch64-poky-linux
          └─ version-armv7vet2hf-neon-vfpv4-pokym11ib32-linux-gnueabi
```

**Figure 6-1 Directory Structure of SDK**

The file “**environment-setup-aarch64-poky-linux**” will be used to change the environment variable to compile the RZ/V2MA Linux application.

To compile the RZ/V2MA Linux application, please refer to the RZ/V2MA DRP-AI Sample Application Note.

**Version History**

Ver.	Date	Description	
		Page	Summary
7.20	29 Sep. 2022	-	First Edition issued.
7.30	31 Jan. 2023	-	Supported the RZ/V2MA Linux Package update to v1.1.0. Supported the RZ/V2MA Video Codec Package update to v0.9.6. Updated the DRP-AI Translator to v1.81. Supported the DRP-AI Driver update to v2.00.
7.40	31 Jul. 2023	-	Supported the RZ/V Verified Linux Package update to v3.0.4. Supported the RZ/V2MA Video Codec Package update to v0.9.7. Updated the DRP-AI Translator to v1.82. Supported the DRP-AI Driver update to v2.10.

# General Precautions in the Handling of Microprocessing Unit and Microcontroller Unit Products

The following usage notes are applicable to all Microprocessing unit and Microcontroller unit products from Renesas. For detailed usage notes on the products covered by this document, refer to the relevant sections of the document as well as any technical updates that have been issued for the products.

## 1. Precaution against Electrostatic Discharge (ESD)

A strong electrical field, when exposed to a CMOS device, can cause destruction of the gate oxide and ultimately degrade the device operation. Steps must be taken to stop the generation of static electricity as much as possible, and quickly dissipate it when it occurs. Environmental control must be adequate. When it is dry, a humidifier should be used. This is recommended to avoid using insulators that can easily build up static electricity.

Semiconductor devices must be stored and transported in an anti-static container, static shielding bag or conductive material. All test and measurement tools including work benches and floors must be grounded. The operator must also be grounded using a wrist strap. Semiconductor devices must not be touched with bare hands. Similar precautions must be taken for printed circuit boards with mounted semiconductor devices.

## 2. Processing at power-on

The state of the product is undefined at the time when power is supplied. The states of internal circuits in the LSI are indeterminate and the states of register settings and pins are undefined at the time when power is supplied. In a finished product where the reset signal is applied to the external reset pin, the states of pins are not guaranteed from the time when power is supplied until the reset process is completed. In a similar way, the states of pins in a product that is reset by an on-chip power-on reset function are not guaranteed from the time when power is supplied until the power reaches the level at which resetting is specified.

## 3. Input of signal during power-off state

Do not input signals or an I/O pull-up power supply while the device is powered off. The current injection that results from input of such a signal or I/O pull-up power supply may cause malfunction and the abnormal current that passes in the device at this time may cause degradation of internal elements. Follow the guideline for input signal during power-off state as described in your product documentation.

## 4. Handling of unused pins

Handle unused pins in accordance with the directions given under handling of unused pins in the manual. The input pins of CMOS products are generally in the high-impedance state. In operation with an unused pin in the open-circuit state, extra electromagnetic noise is induced in the vicinity of the LSI, an associated shoot-through current flows internally, and malfunctions occur due to the false recognition of the pin state as an input signal become possible.

## 5. Clock signals

After applying a reset, only release the reset line after the operating clock signal becomes stable. When switching the clock signal during program execution, wait until the target clock signal is stabilized. When the clock signal is generated with an external resonator or from an external oscillator during a reset, ensure that the reset line is only released after full stabilization of the clock signal. Additionally, when switching to a clock signal produced with an external resonator or by an external oscillator while program execution is in progress, wait until the target clock signal is stable.

## 6. Voltage application waveform at input pin

Waveform distortion due to input noise or a reflected wave may cause malfunction. If the input of the CMOS device stays in the area between  $V_{IL}$  (Max.) and  $V_{IH}$  (Min.) due to noise, for example, the device may malfunction. Take care to prevent chattering noise from entering the device when the input level is fixed, and also in the transition period when the input level passes through the area between  $V_{IL}$  (Max.) and  $V_{IH}$  (Min.).

## 7. Prohibition of access to reserved addresses

Access to reserved addresses is prohibited. The reserved addresses are provided for possible future expansion of functions. Do not access these addresses as the correct operation of the LSI is not guaranteed.

## 8. Differences between products

Before changing from one product to another, for example to a product with a different part number, confirm that the change will not lead to problems. The characteristics of a microprocessing unit or microcontroller unit products in the same group but having a different part number might differ in terms of internal memory capacity, layout pattern, and other factors, which can affect the ranges of electrical characteristics, such as characteristic values, operating margins, immunity to noise, and amount of radiated noise. When changing to a product with a different part number, implement a system-evaluation test for the given product.

## Notice

1. Descriptions of circuits, software and other related information in this document are provided only to illustrate the operation of semiconductor products and application examples. You are fully responsible for the incorporation or any other use of the circuits, software, and information in the design of your product or system. Renesas Electronics disclaims any and all liability for any losses and damages incurred by you or third parties arising from the use of these circuits, software, or information.
2. Renesas Electronics hereby expressly disclaims any warranties against and liability for infringement or any other claims involving patents, copyrights, or other intellectual property rights of third parties, by or arising from the use of Renesas Electronics products or technical information described in this document, including but not limited to, the product data, drawings, charts, programs, algorithms, and application examples.
3. No license, express, implied or otherwise, is granted hereby under any patents, copyrights or other intellectual property rights of Renesas Electronics or others.
4. You shall be responsible for determining what licenses are required from any third parties, and obtaining such licenses for the lawful import, export, manufacture, sales, utilization, distribution or other disposal of any products incorporating Renesas Electronics products, if required.
5. You shall not alter, modify, copy, or reverse engineer any Renesas Electronics product, whether in whole or in part. Renesas Electronics disclaims any and all liability for any losses or damages incurred by you or third parties arising from such alteration, modification, copying or reverse engineering.
6. Renesas Electronics products are classified according to the following two quality grades: "Standard" and "High Quality". The intended applications for each Renesas Electronics product depends on the product's quality grade, as indicated below.
  - "Standard": Computers; office equipment; communications equipment; test and measurement equipment; audio and visual equipment; home electronic appliances; machine tools; personal electronic equipment; industrial robots; etc.
  - "High Quality": Transportation equipment (automobiles, trains, ships, etc.); traffic control (traffic lights); large-scale communication equipment; key financial terminal systems; safety control equipment; etc.Unless expressly designated as a high reliability product or a product for harsh environments in a Renesas Electronics data sheet or other Renesas Electronics document, Renesas Electronics products are not intended or authorized for use in products or systems that may pose a direct threat to human life or bodily injury (artificial life support devices or systems; surgical implantations; etc.), or may cause serious property damage (space system; undersea repeaters; nuclear power control systems; aircraft control systems; key plant systems; military equipment; etc.). Renesas Electronics disclaims any and all liability for any damages or losses incurred by you or any third parties arising from the use of any Renesas Electronics product that is inconsistent with any Renesas Electronics data sheet, user's manual or other Renesas Electronics document.
7. No semiconductor product is absolutely secure. Notwithstanding any security measures or features that may be implemented in Renesas Electronics hardware or software products, Renesas Electronics shall have absolutely no liability arising out of any vulnerability or security breach, including but not limited to any unauthorized access to or use of a Renesas Electronics product or a system that uses a Renesas Electronics product. RENESAS ELECTRONICS DOES NOT WARRANT OR GUARANTEE THAT RENESAS ELECTRONICS PRODUCTS, OR ANY SYSTEMS CREATED USING RENESAS ELECTRONICS PRODUCTS WILL BE INVULNERABLE OR FREE FROM CORRUPTION, ATTACK, VIRUSES, INTERFERENCE, HACKING, DATA LOSS OR THEFT, OR OTHER SECURITY INTRUSION ("Vulnerability Issues"). RENESAS ELECTRONICS DISCLAIMS ANY AND ALL RESPONSIBILITY OR LIABILITY ARISING FROM OR RELATED TO ANY VULNERABILITY ISSUES. FURTHERMORE, TO THE EXTENT PERMITTED BY APPLICABLE LAW, RENESAS ELECTRONICS DISCLAIMS ANY AND ALL WARRANTIES, EXPRESS OR IMPLIED, WITH RESPECT TO THIS DOCUMENT AND ANY RELATED OR ACCOMPANYING SOFTWARE OR HARDWARE, INCLUDING BUT NOT LIMITED TO THE IMPLIED WARRANTIES OF MERCHANTABILITY, OR FITNESS FOR A PARTICULAR PURPOSE.
8. When using Renesas Electronics products, refer to the latest product information (data sheets, user's manuals, application notes, "General Notes for Handling and Using Semiconductor Devices" in the reliability handbook, etc.), and ensure that usage conditions are within the ranges specified by Renesas Electronics with respect to maximum ratings, operating power supply voltage range, heat dissipation characteristics, installation, etc. Renesas Electronics disclaims any and all liability for any malfunctions, failure or accident arising out of the use of Renesas Electronics products outside of such specified ranges.
9. Although Renesas Electronics endeavors to improve the quality and reliability of Renesas Electronics products, semiconductor products have specific characteristics, such as the occurrence of failure at a certain rate and malfunctions under certain use conditions. Unless designated as a high reliability product or a product for harsh environments in a Renesas Electronics data sheet or other Renesas Electronics document, Renesas Electronics products are not subject to radiation resistance design. You are responsible for implementing safety measures to guard against the possibility of bodily injury, injury or damage caused by fire, and/or danger to the public in the event of a failure or malfunction of Renesas Electronics products, such as safety design for hardware and software, including but not limited to redundancy, fire control and malfunction prevention, appropriate treatment for aging degradation or any other appropriate measures. Because the evaluation of microcomputer software alone is very difficult and impractical, you are responsible for evaluating the safety of the final products or systems manufactured by you.
10. Please contact a Renesas Electronics sales office for details as to environmental matters such as the environmental compatibility of each Renesas Electronics product. You are responsible for carefully and sufficiently investigating applicable laws and regulations that regulate the inclusion or use of controlled substances, including without limitation, the EU RoHS Directive, and using Renesas Electronics products in compliance with all these applicable laws and regulations. Renesas Electronics disclaims any and all liability for damages or losses occurring as a result of your noncompliance with applicable laws and regulations.
11. Renesas Electronics products and technologies shall not be used for or incorporated into any products or systems whose manufacture, use, or sale is prohibited under any applicable domestic or foreign laws or regulations. You shall comply with any applicable export control laws and regulations promulgated and administered by the governments of any countries asserting jurisdiction over the parties or transactions.
12. It is the responsibility of the buyer or distributor of Renesas Electronics products, or any other party who distributes, disposes of, or otherwise sells or transfers the product to a third party, to notify such third party in advance of the contents and conditions set forth in this document.
13. This document shall not be reprinted, reproduced or duplicated in any form, in whole or in part, without prior written consent of Renesas Electronics.
14. Please contact a Renesas Electronics sales office if you have any questions regarding the information contained in this document or Renesas Electronics products.

(Note1) "Renesas Electronics" as used in this document means Renesas Electronics Corporation and also includes its directly or indirectly controlled subsidiaries.

(Note2) "Renesas Electronics product(s)" means any product developed or manufactured by or for Renesas Electronics.

(Rev.5.0-1 October 2020)

## Corporate Headquarters

TOYOSU FORESIA, 3-2-24 Toyosu,  
Koto-ku, Tokyo 135-0061, Japan  
[www.renesas.com](http://www.renesas.com)

## Trademarks

Renesas and the Renesas logo are trademarks of Renesas Electronics Corporation. All trademarks and registered trademarks are the property of their respective owners.

## Contact information

For further information on a product, technology, the most up-to-date version of a document, or your nearest sales office, please visit:  
[www.renesas.com/contact/](http://www.renesas.com/contact/).