

8

7

6

5

4

3

2

1

REVISIONS				
DCN	REV	DESCRIPTION	DATE	CHANGE BY
	A	INITIAL RELEASE	2010-07-18	K. LEUNG

IDT 89HP0602Q SATA EVALUATION BOARDS

TABLE OF CONTENTS

89HP0602Q, POWER.....2

89HP0602Q, SATA CONNECTORS...3



CONFIDENTIAL PROPERTY OF INTEGRATED DEVICE TECHNOLOGY, INC.
 6024 SILVER CREEK VALLEY ROAD, SAN JOSE, CA 95138
 COPYRIGHT (C) 2010 IDT

TITLE 89HP0602Q Evaluation Boards			
SIZE B	DRAWING NO. P0602Q-U/S-EB-001	FAB P/N 18-702-000	REV. A
AUTHOR K. Leung		CHECKED BY D. Huang	
Tue Nov 30 16:00:14 2010			SHEET 1 OF 3

8

7

6

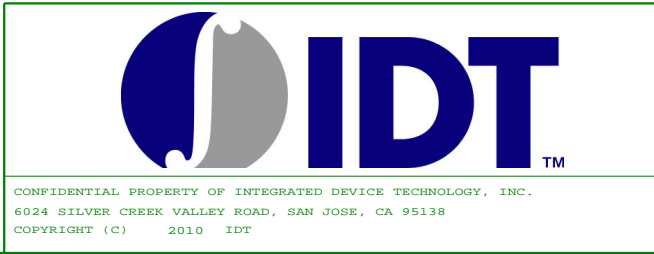
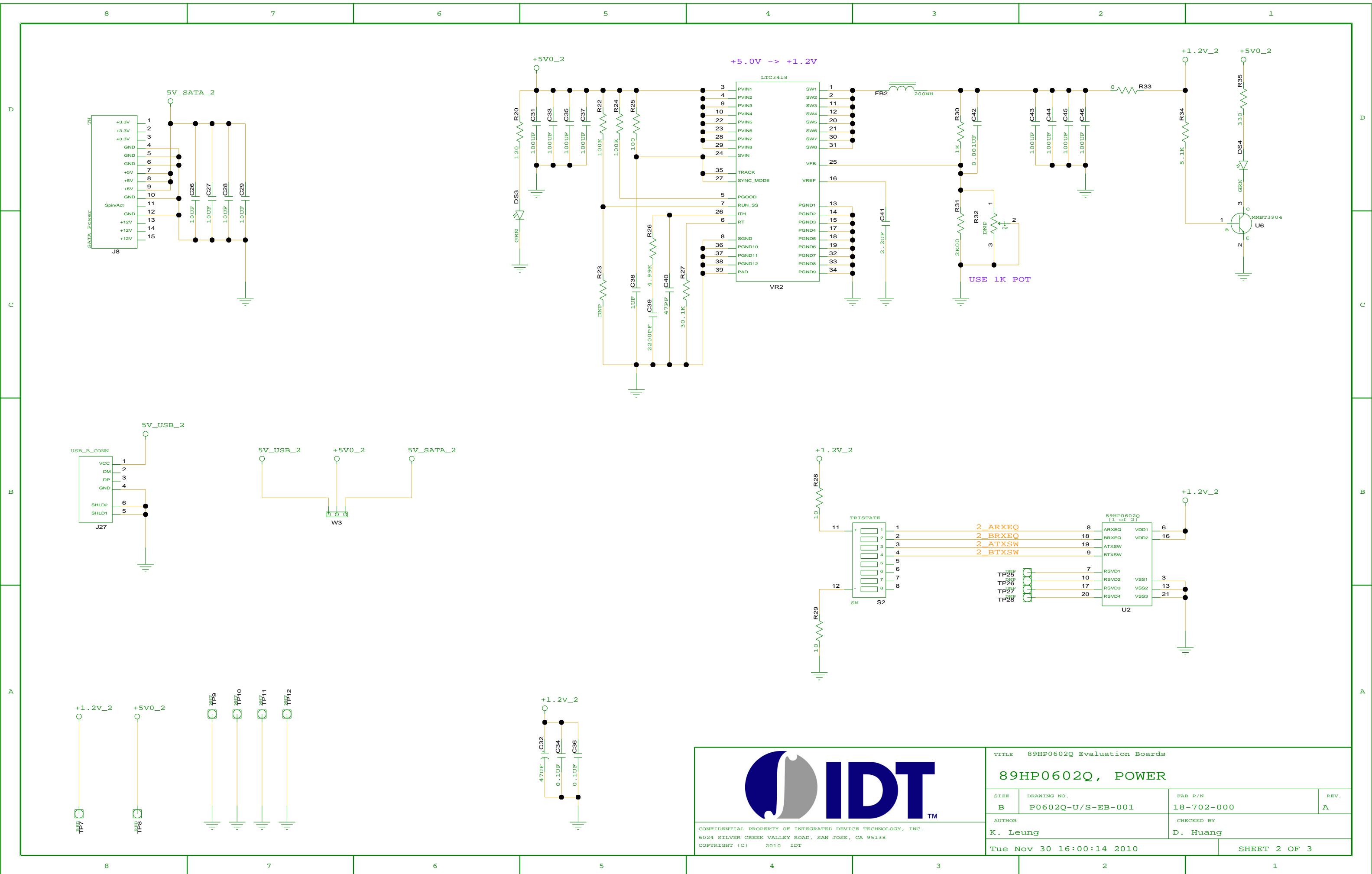
5

4

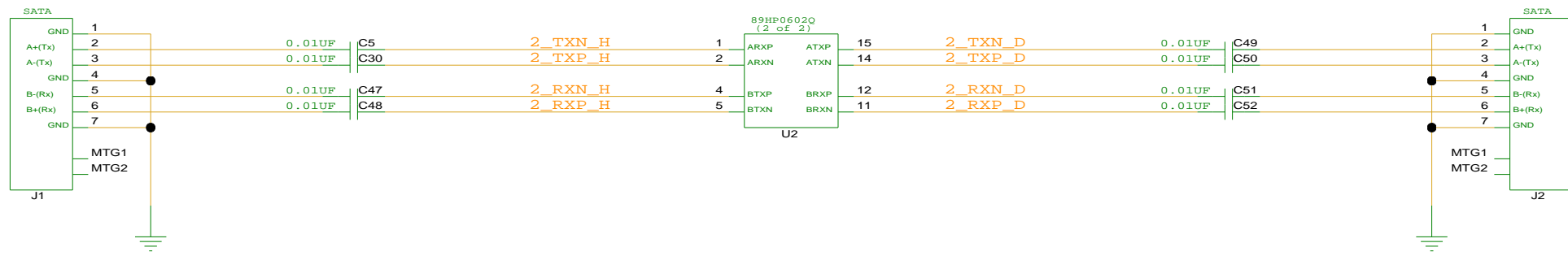
3

2

1



TITLE 89HP0602Q Evaluation Boards			
89HP0602Q, POWER			
SIZE B	DRAWING NO. P0602Q-U/S-EB-001	FAB P/N 18-702-000	REV. A
AUTHOR K. Leung		CHECKED BY D. Huang	
Tue Nov 30 16:00:14 2010			SHEET 2 OF 3



CONFIDENTIAL PROPERTY OF INTEGRATED DEVICE TECHNOLOGY, INC.
 6024 SILVER CREEK VALLEY ROAD, SAN JOSE, CA 95138
 COPYRIGHT (C) 2010 IDT

TITLE 89HP0602Q Evaluation Boards			
89HP0602Q, SATA CONNECTORS			
SIZE	DRAWING NO.	FAB P/N	REV.
B	P0602Q-U/S-EB-001	18-702-000	A
AUTHOR		CHECKED BY	
K. Leung		D. Huang	
Tue Nov 30 16:00:27 2010			SHEET 3 OF 3