

8

7

6

5

4

3

2

1

REVISIONS

DCN	REV	DESCRIPTION	DATE	CHANGE BY
	A	INITIAL RELEASE	2010-07-18	K. LEUNG

IDT 89HP0602Q USB 3.0 & SATA EVALUATION BOARDS

TABLE OF CONTENTS

89HP0602Q, POWER.....2  
89HP0602Q, USB CONNECTORS...3  
USB-TO-SMA CONVERTER BOARD...4  
89HP0602Q, POWER.....5  
89HP0602Q, SATA CONNECTORS...6  
SATA-TO-SMA CONVERTER BOARD..7



CONFIDENTIAL PROPERTY OF INTEGRATED DEVICE TECHNOLOGY, INC.  
6024 SILVER CREEK VALLEY ROAD, SAN JOSE, CA 95138  
COPYRIGHT (C) 2010 IDT

TITLE

89HP0602Q Evaluation Boards

SIZE	DRAWING NO.	FAB P/N	REV.
B	P0602Q-U/S-EB-001	18-702-000	A

AUTHOR	CHECKED BY
K. Leung	D. Huang

Sun Aug 01 01:38:55 2010 SHEET 1 OF 7

8

7

6

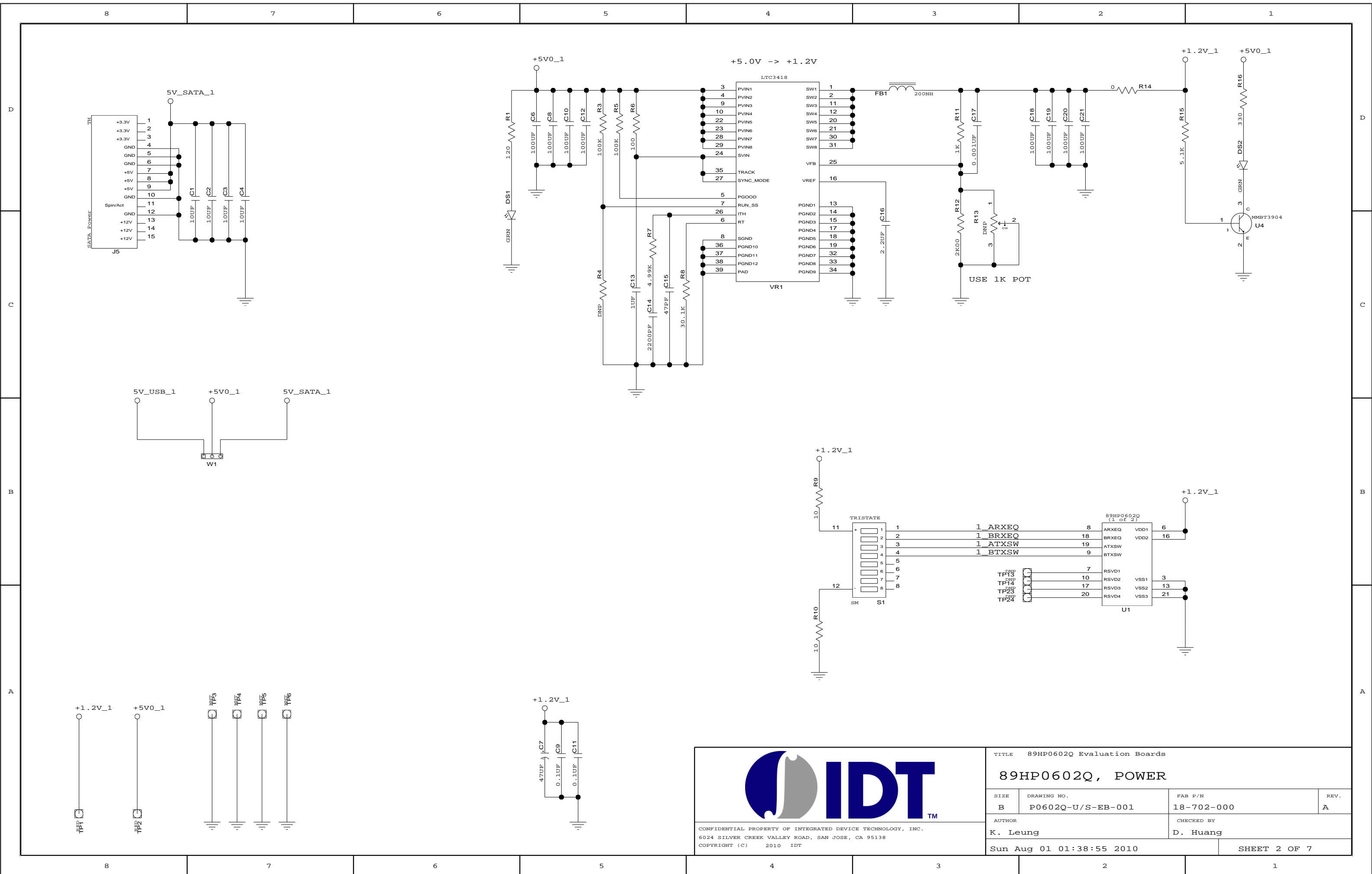
5

4

3

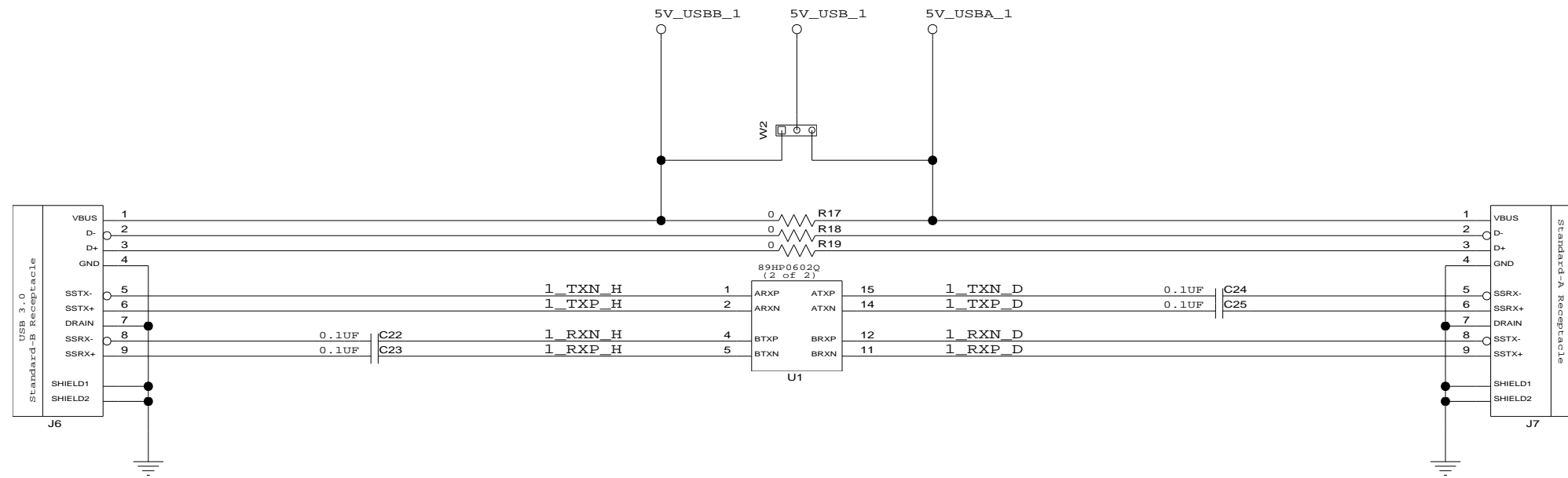
2

1



CONFIDENTIAL PROPERTY OF INTEGRATED DEVICE TECHNOLOGY, INC.  
6024 SILVER CREEK VALLEY ROAD, SAN JOSE, CA 95138  
COPYRIGHT (C) 2010 IDT

TITLE 89HP0602Q Evaluation Boards			
<b>89HP0602Q, POWER</b>			
SIZE	DRAWING NO.	FAB P/N	REV.
B	P0602Q-U/S-EB-001	18-702-000	A
AUTHOR		CHECKED BY	
K. Leung		D. Huang	
Sun Aug 01 01:38:55 2010			SHEET 2 OF 7



18" TRACE BETWEEN J? AND U1

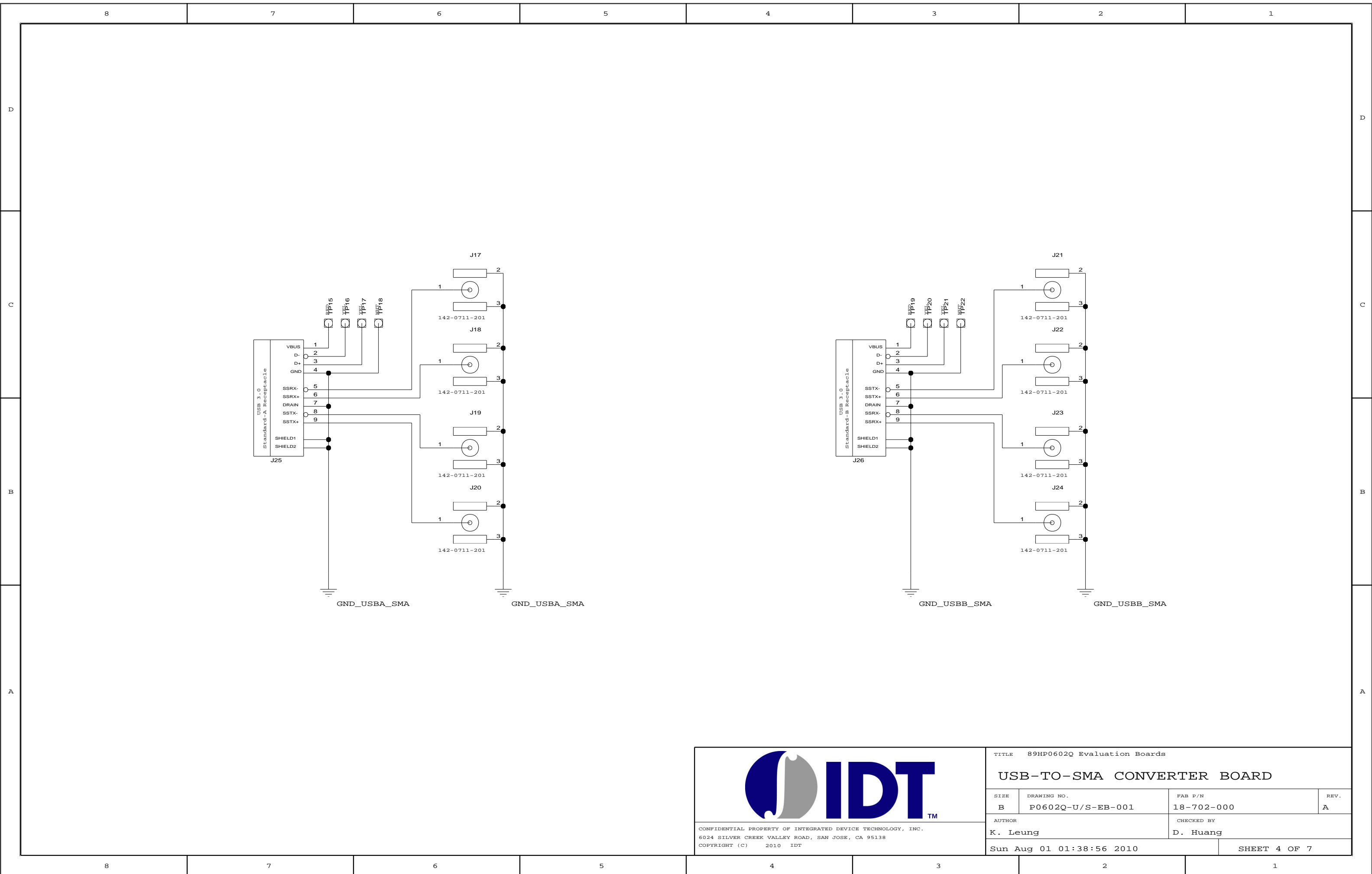


CONFIDENTIAL PROPERTY OF INTEGRATED DEVICE TECHNOLOGY, INC.  
6024 SILVER CREEK VALLEY ROAD, SAN JOSE, CA 95138  
COPYRIGHT (C) 2010 IDT

TITLE 89HP0602Q Evaluation Boards

89HP0602Q, USB CONNECTORS

SIZE B	DRAWING NO. P0602Q-U/S-EB-001	FAB P/N 18-702-000	REV. A
AUTHOR K. Leung		CHECKED BY D. Huang	
Sun Aug 01 01:38:56 2010			SHEET 3 OF 7



CONFIDENTIAL PROPERTY OF INTEGRATED DEVICE TECHNOLOGY, INC.  
 6024 SILVER CREEK VALLEY ROAD, SAN JOSE, CA 95138  
 COPYRIGHT (C) 2010 IDT

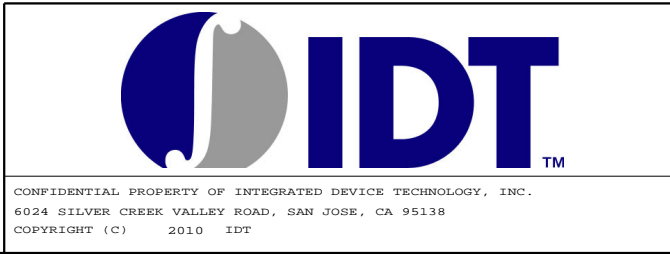
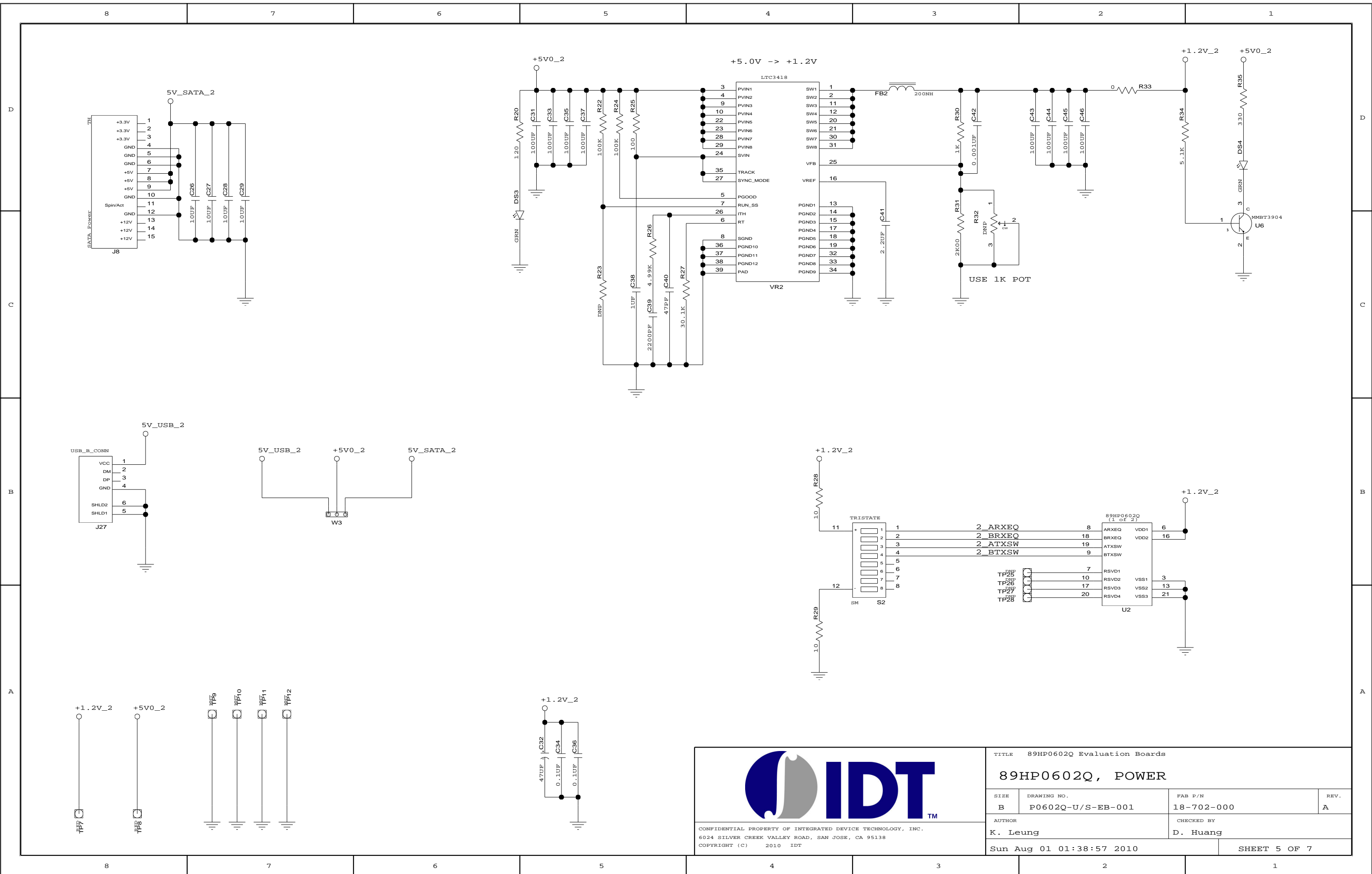
TITLE 89HP0602Q Evaluation Boards

**USB-TO-SMA CONVERTER BOARD**

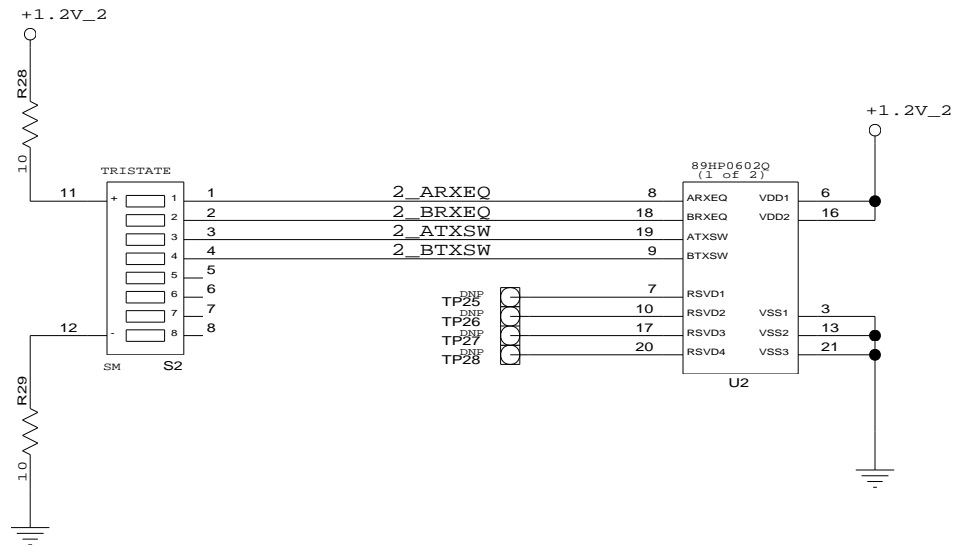
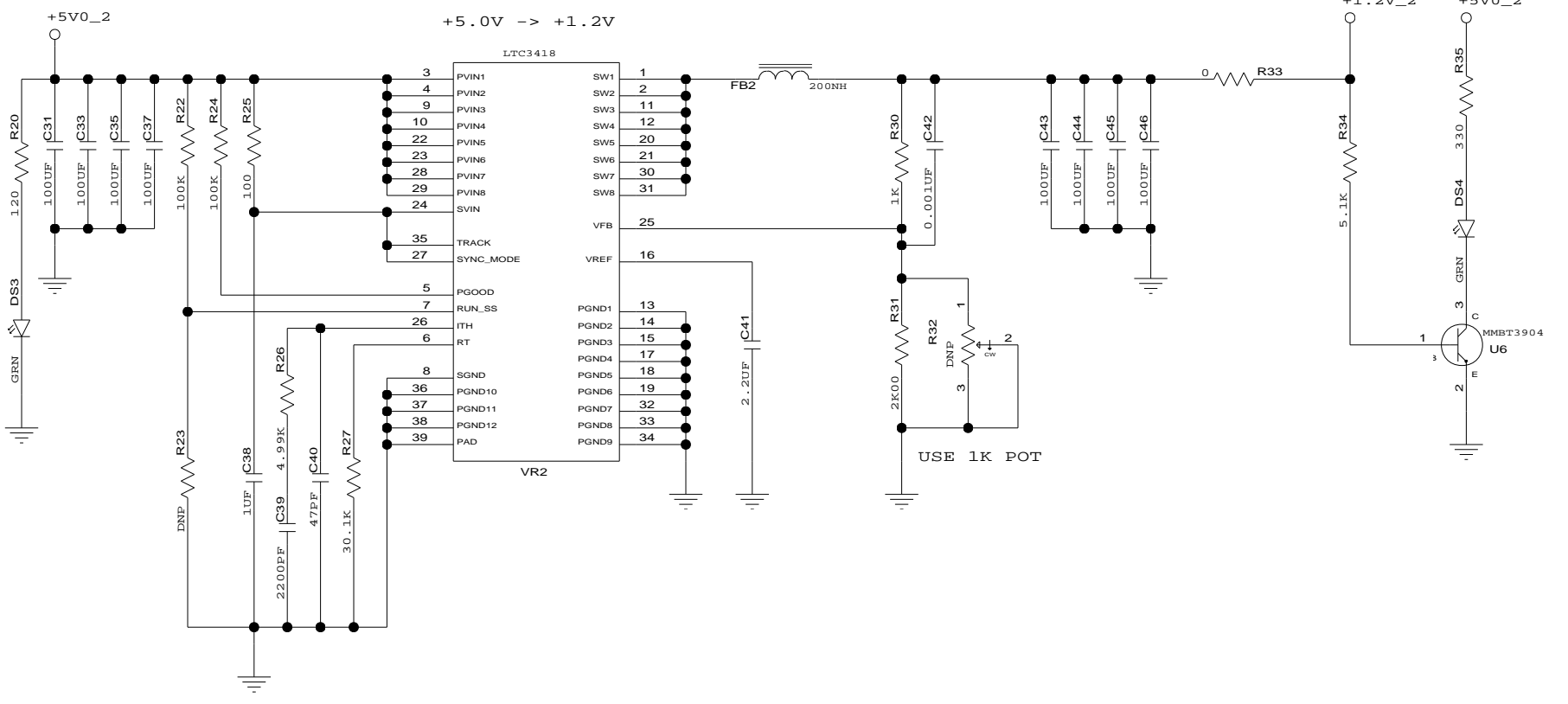
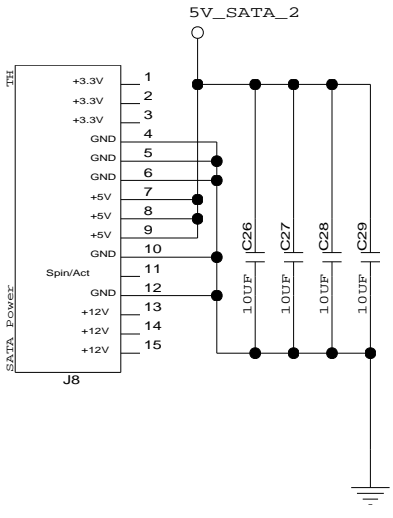
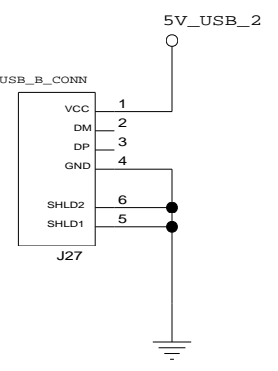
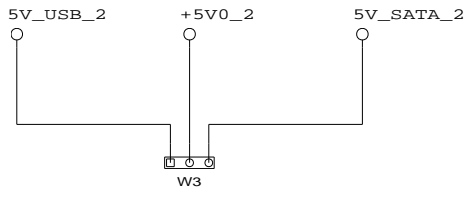
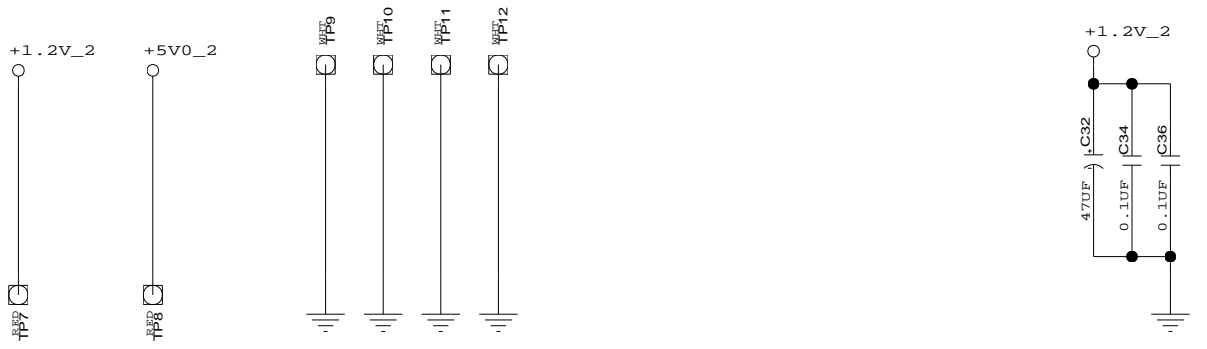
SIZE B	DRAWING NO. P0602Q-U/S-EB-001	FAB P/N 18-702-000	REV. A
-----------	----------------------------------	-----------------------	-----------

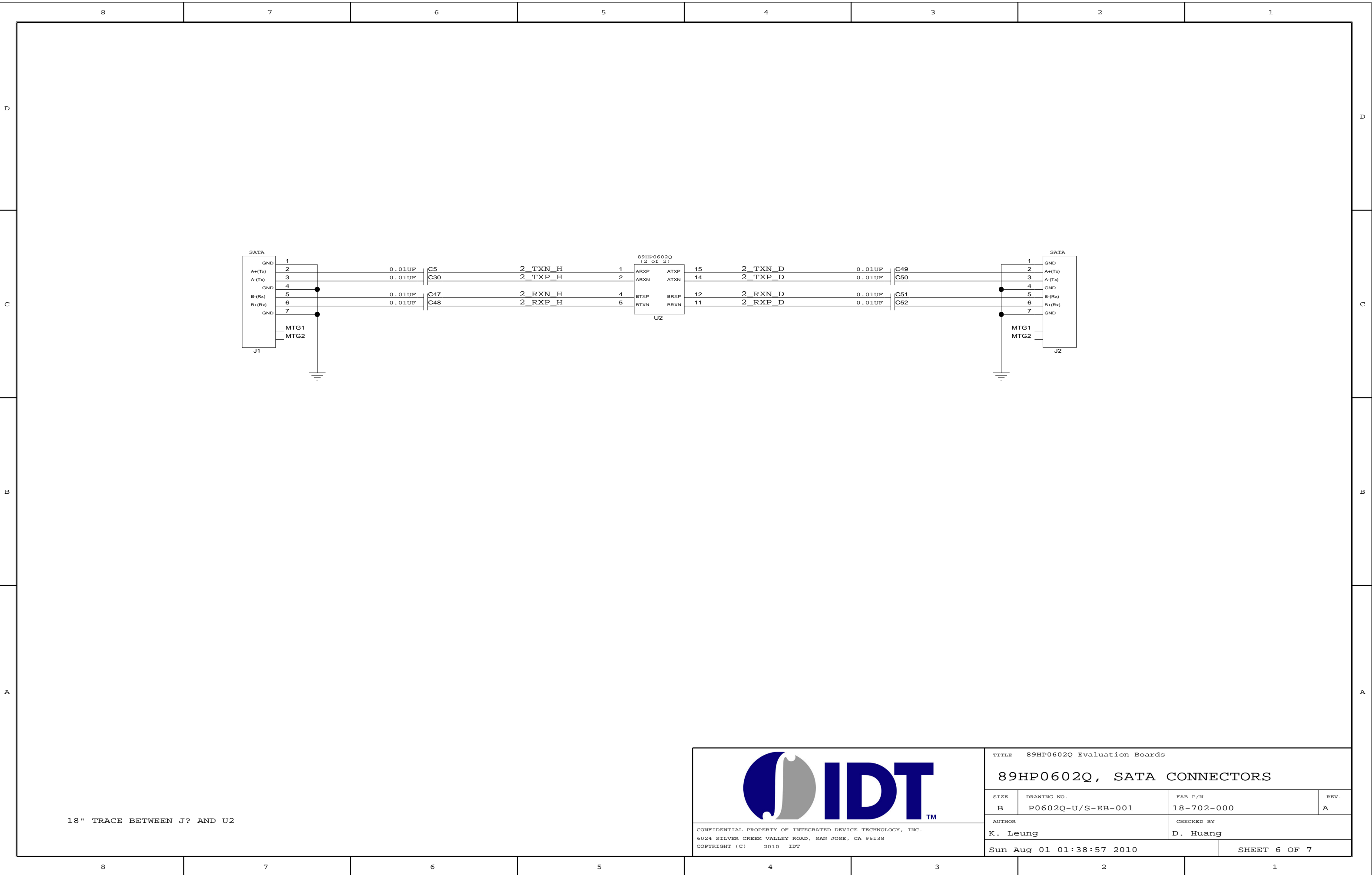
AUTHOR K. Leung	CHECKED BY D. Huang
--------------------	------------------------

Sun Aug 01 01:38:56 2010 SHEET 4 OF 7



TITLE 89HP0602Q Evaluation Boards			
89HP0602Q, POWER			
SIZE	DRAWING NO.	FAB P/N	REV.
B	P0602Q-U/S-EB-001	18-702-000	A
AUTHOR		CHECKED BY	
K. Leung		D. Huang	
Sun Aug 01 01:38:57 2010			SHEET 5 OF 7



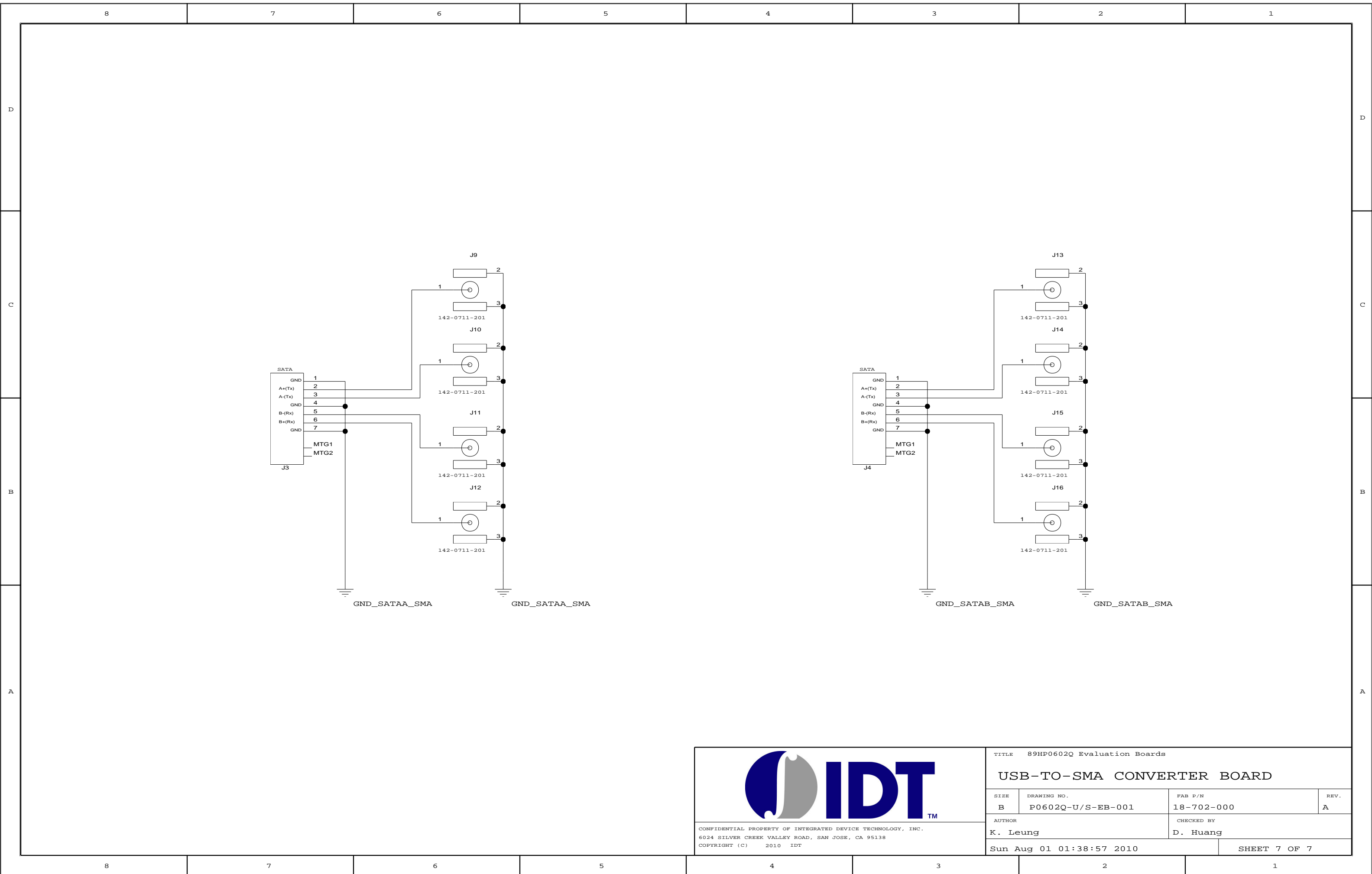



18" TRACE BETWEEN J? AND U2



CONFIDENTIAL PROPERTY OF INTEGRATED DEVICE TECHNOLOGY, INC.  
6024 SILVER CREEK VALLEY ROAD, SAN JOSE, CA 95138  
COPYRIGHT (C) 2010 IDT

TITLE 89HP0602Q Evaluation Boards			
89HP0602Q, SATA CONNECTORS			
SIZE	DRAWING NO.	FAB P/N	REV.
B	P0602Q-U/S-EB-001	18-702-000	A
AUTHOR		CHECKED BY	
K. Leung		D. Huang	
Sun Aug 01 01:38:57 2010			SHEET 6 OF 7



		TITLE 89HP0602Q Evaluation Boards <b>USB-TO-SMA CONVERTER BOARD</b>		
		SIZE B	DRAWING NO. P0602Q-U/S-EB-001	FAB P/N 18-702-000
CONFIDENTIAL PROPERTY OF INTEGRATED DEVICE TECHNOLOGY, INC. 6024 SILVER CREEK VALLEY ROAD, SAN JOSE, CA 95138 COPYRIGHT (C) 2010 IDT		AUTHOR K. Leung	CHECKED BY D. Huang	
Sun Aug 01 01:38:57 2010			SHEET 7 OF 7	