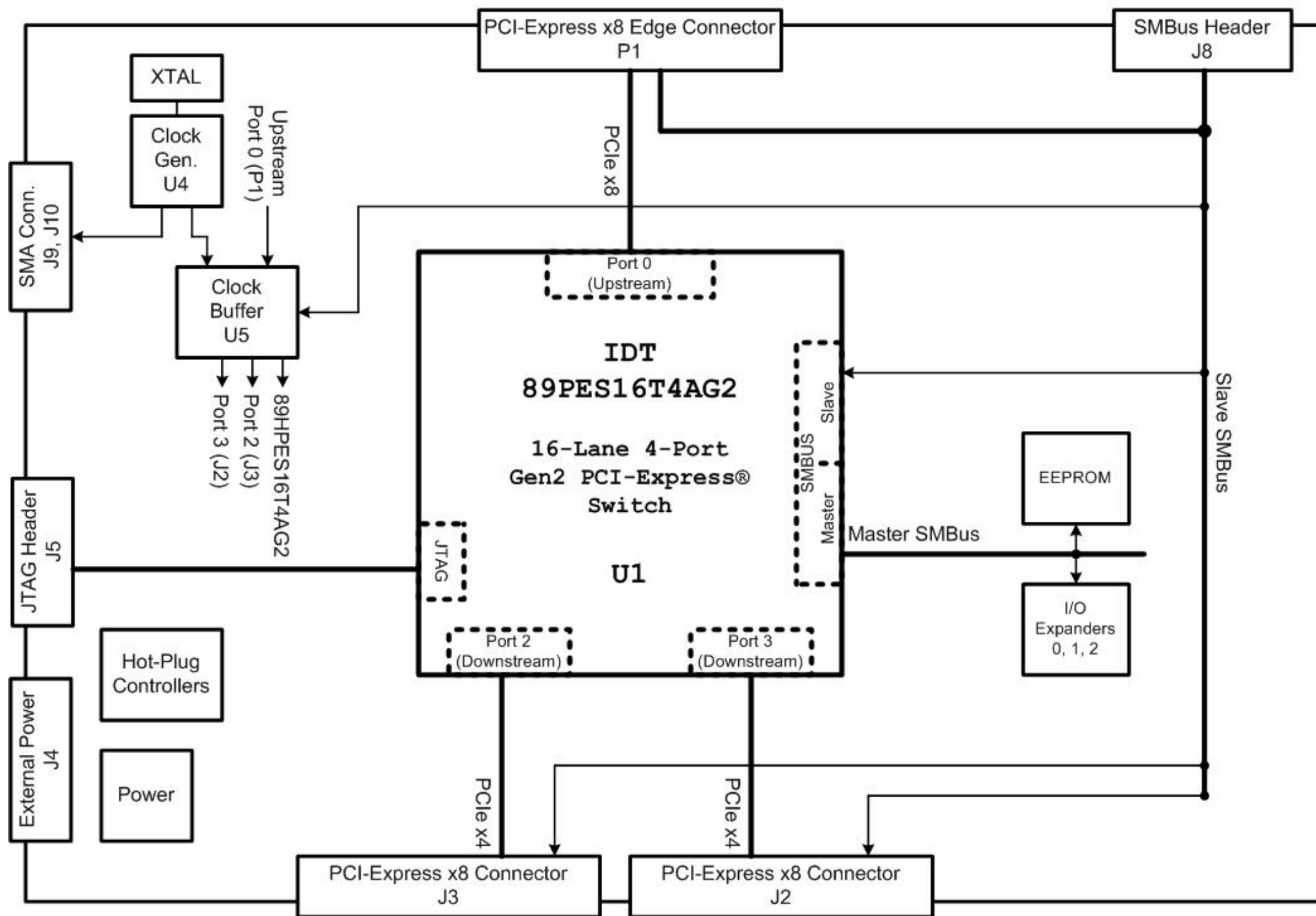


89EBPES16T4AG2 – 89PES16T4AG2 Evaluation Board

REVISIONS				
DCN	REV	DESCRIPTION	DATE	CHANGE BY
PCB-0147R01	1.0	INITIAL RELEASE	2008-01-18	T. TRAN

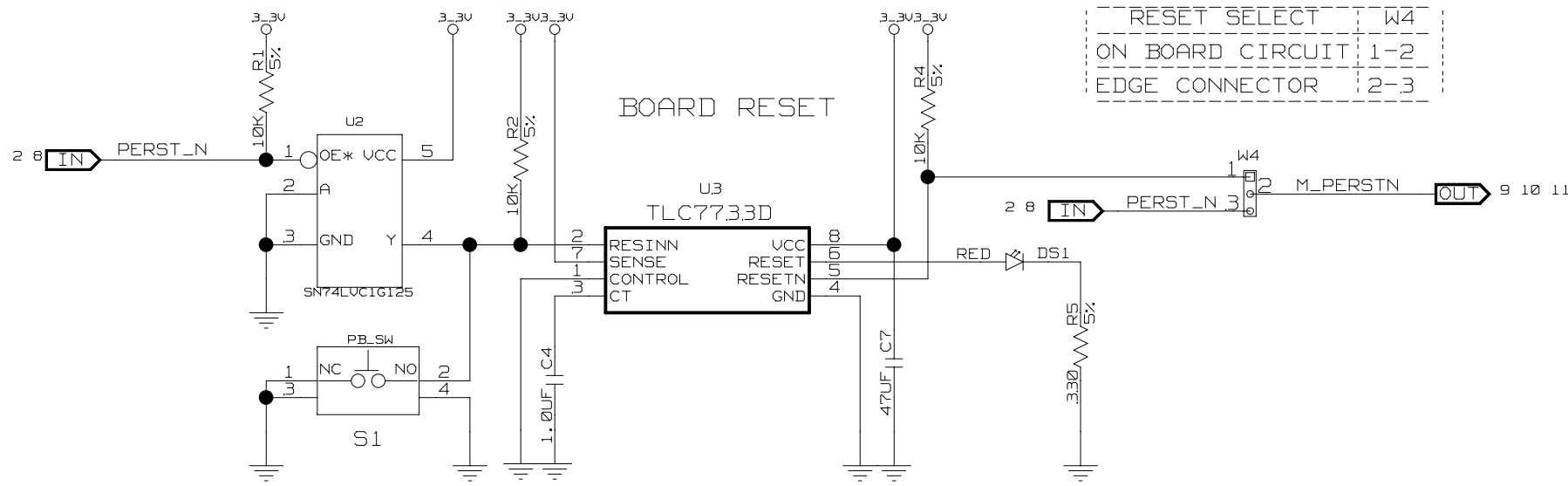
SHEET DESCRIPTION

- 1 TITLE PAGE
- 2 RESET, POWER CONNECTOR
- 3 POWER REGULATORS
- 4 CLOCKS
- 5 I/O EXP, WAKE, ATTN
- 6 HOT PLUG CONTROLLERS
- 7 HOT PLUG – MOSFETS
- 8 PORT 0 EDGE CONN (U/S)
- 9 PORT 2 CONNECTOR (D/S)
- 10 PORT 3 CONNECTOR (D/S)
- 11 PES16T4AG2 – EEPROM, JTAG
- 12 PES16T4AG2 – POWER



CONFIDENTIAL PROPERTY OF INTEGRATED DEVICE TECHNOLOGY, INC.
 6024 SILVER CREEK VALLEY RD. SAN JOSE, CA 95138
 COPYRIGHT (C) IDT2008

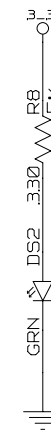
TITLE 89EBPES16T4AG2			
SIZE B	DRAWING NO. SCH-00157	FAB P/N 18-656-000	REV. 1.0
AUTHOR K Leung / T Tran		CHECKED BY D Huang	
Fri Jan 18 10:42:56 2008			SHEET 1 OF 12



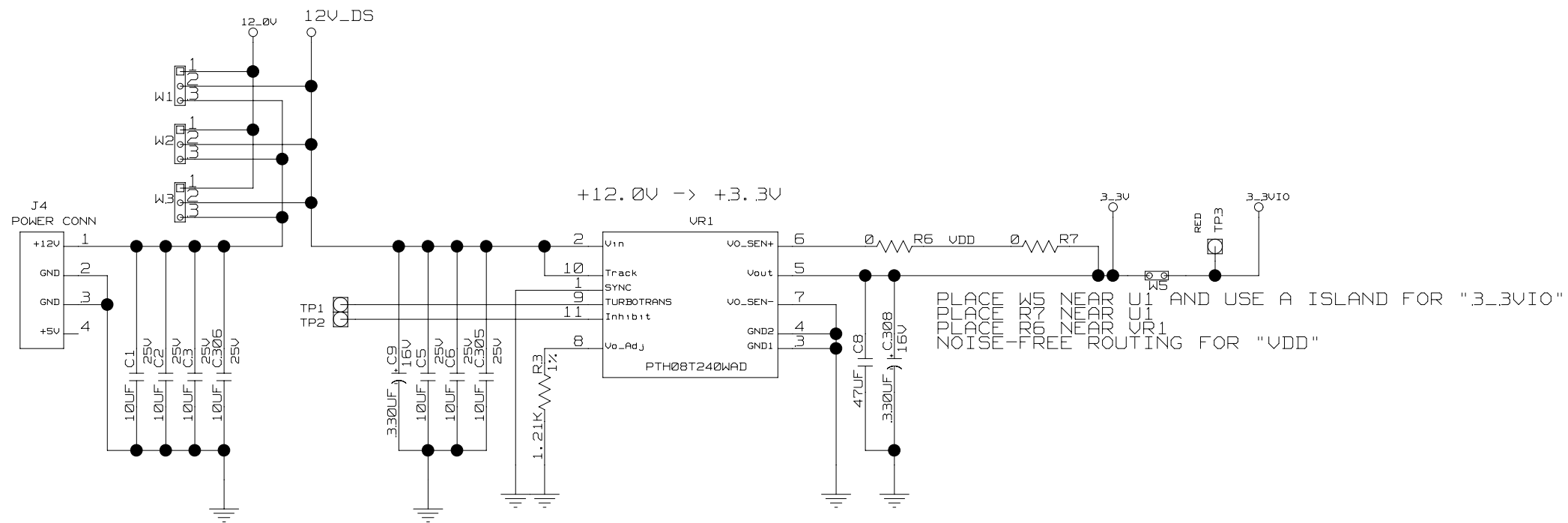
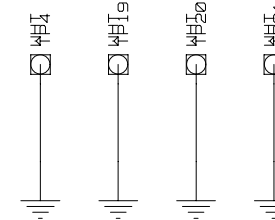
SILKSCREEN TABLE

RESET SELECT	W4
ON BOARD CIRCUIT	1-2
EDGE CONNECTOR	2-3

POWER INDICATOR
PLACE NEAR TOP EDGE
LABEL 'POWER'



LABEL 'GND'



PLACE THIS LABEL NEAR THE 3.3V SUPPLY AND USE AN ISLAND FOR "3.3VIO"
NOISE-FREE ROUTING FOR "VDD"

SILKSCREEN TABLE

12V POWER SELECT	W1	W2	W3
EDGE CONNECTOR	1-2	1-2	1-2
EXTERNAL INPUT	2-3	2-3	2-3



CONFIDENTIAL PROPERTY OF INTEGRATED DEVICE TECHNOLOGY, INC.
6024 SILVER CREEK VALLEY RD. SAN JOSE, CA 95138
COPYRIGHT (C) IDT2008

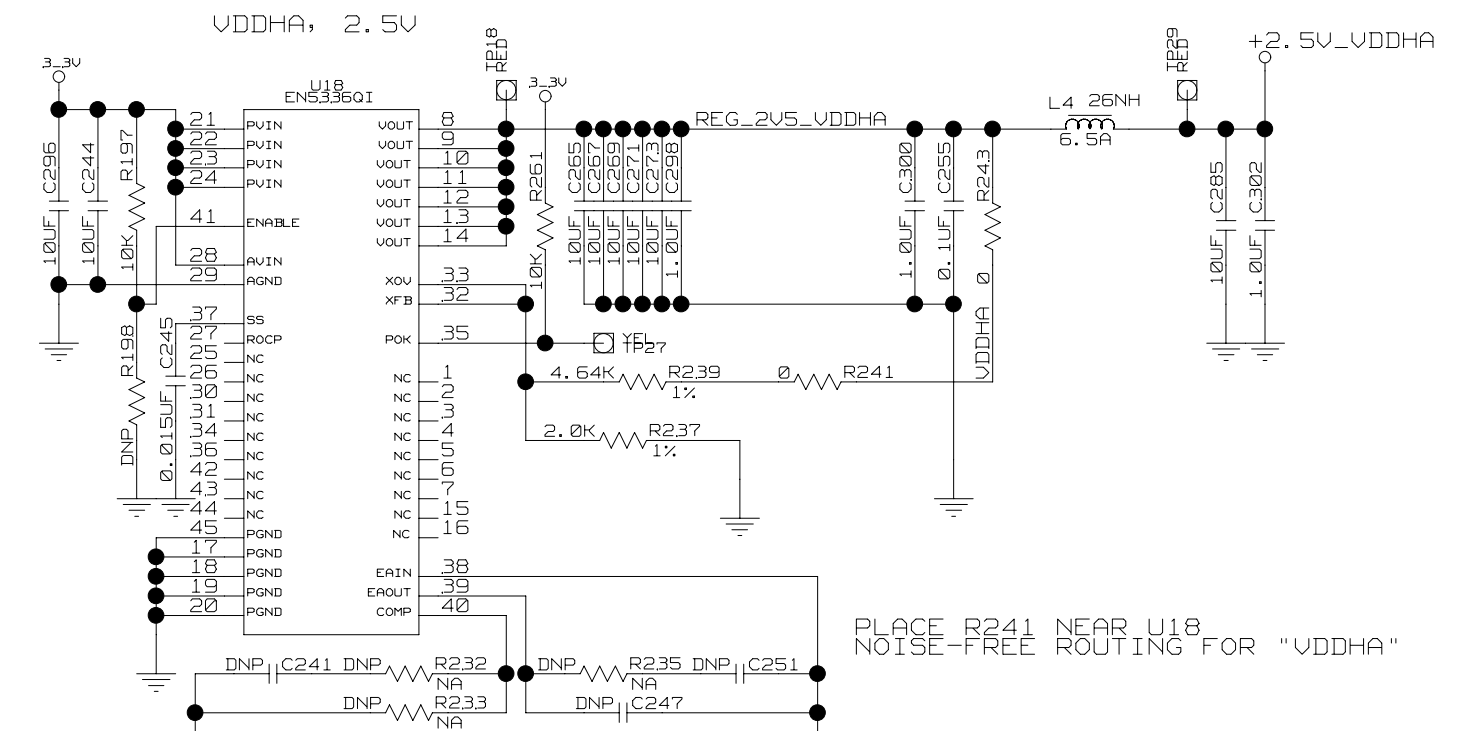
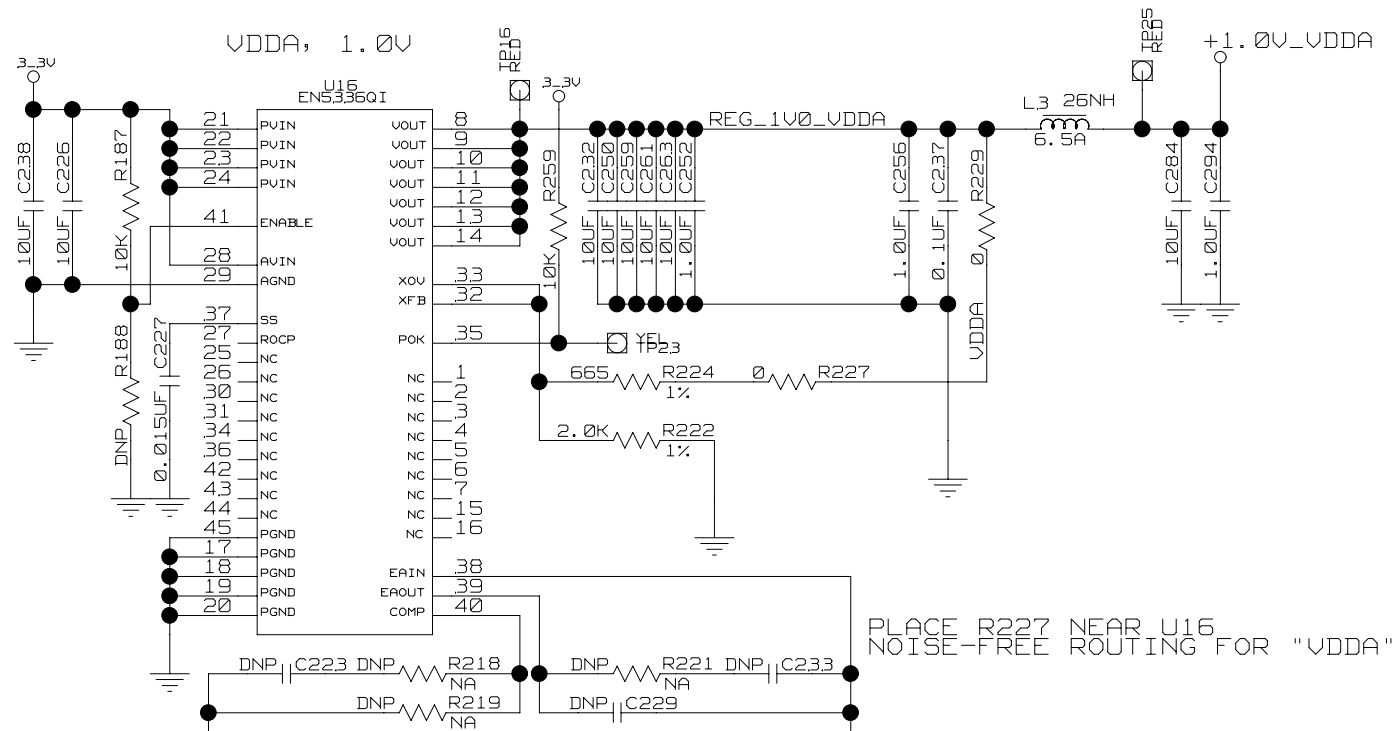
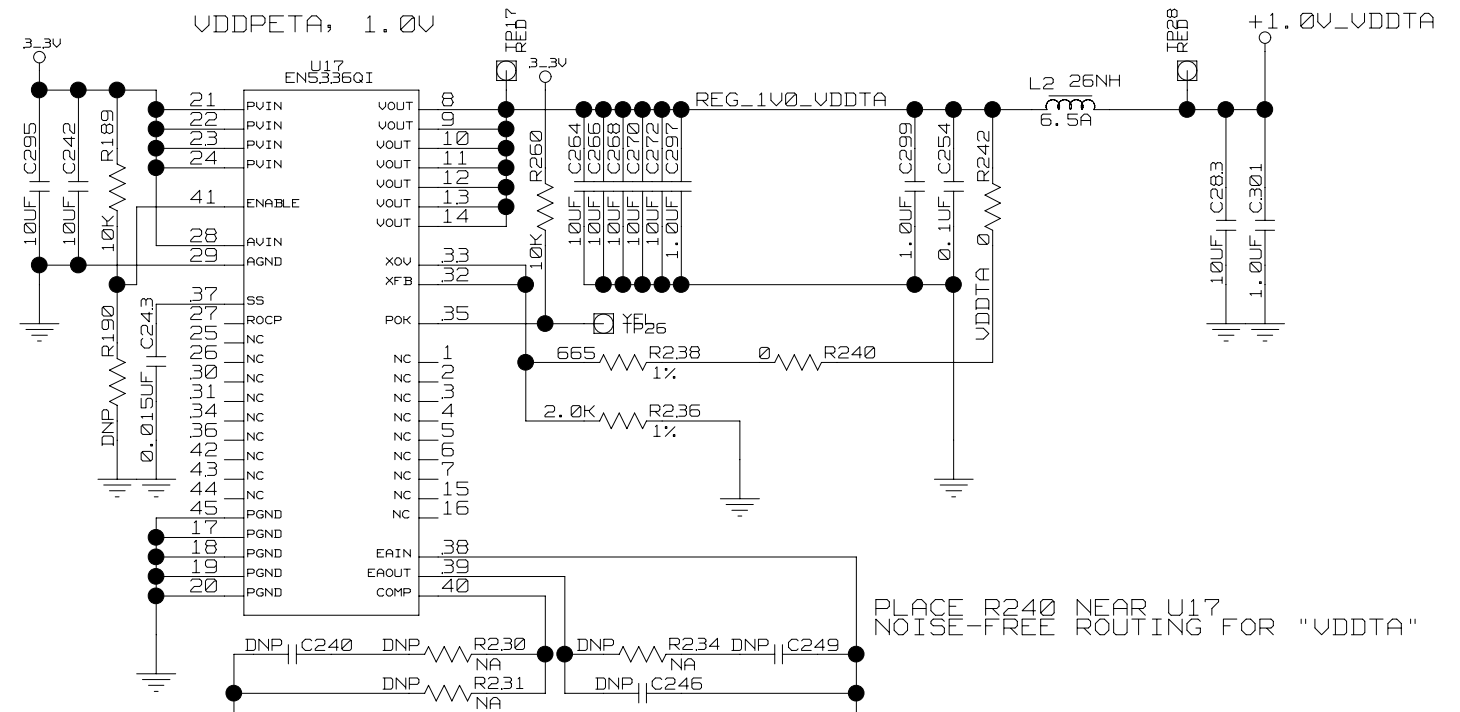
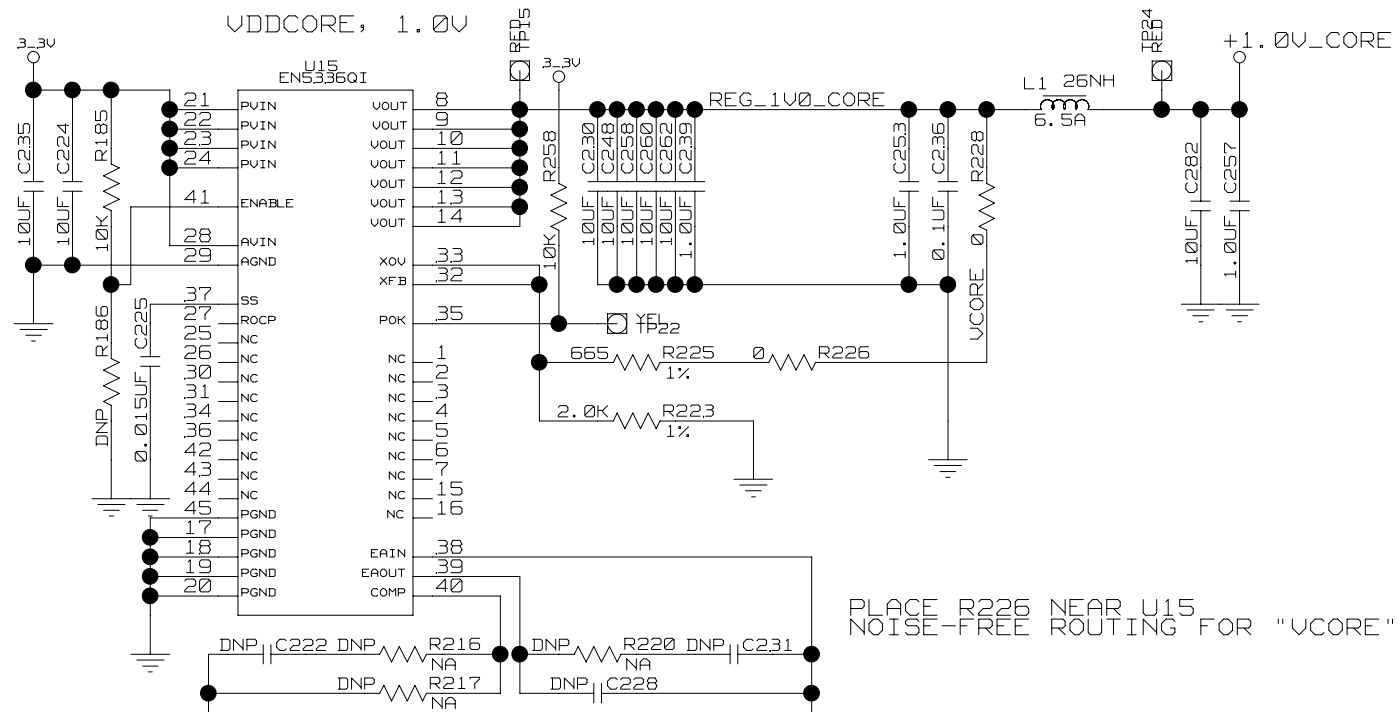
TITLE 89EBPES16T4AG2

RESET, POWER CONNECTOR

SIZE B	DRAWING NO. SCH-00157	FAB P/N 18-656-000	REV. 1.0
--------	-----------------------	--------------------	----------

AUTHOR K Leung / T Tran	CHECKED BY D Huang
-------------------------	--------------------

Fri Jan 18 11:10:25 2008 SHEET 2 OF 12



NOTE:
ALL POWER NETS USE PLANE OR WIDE TRACE

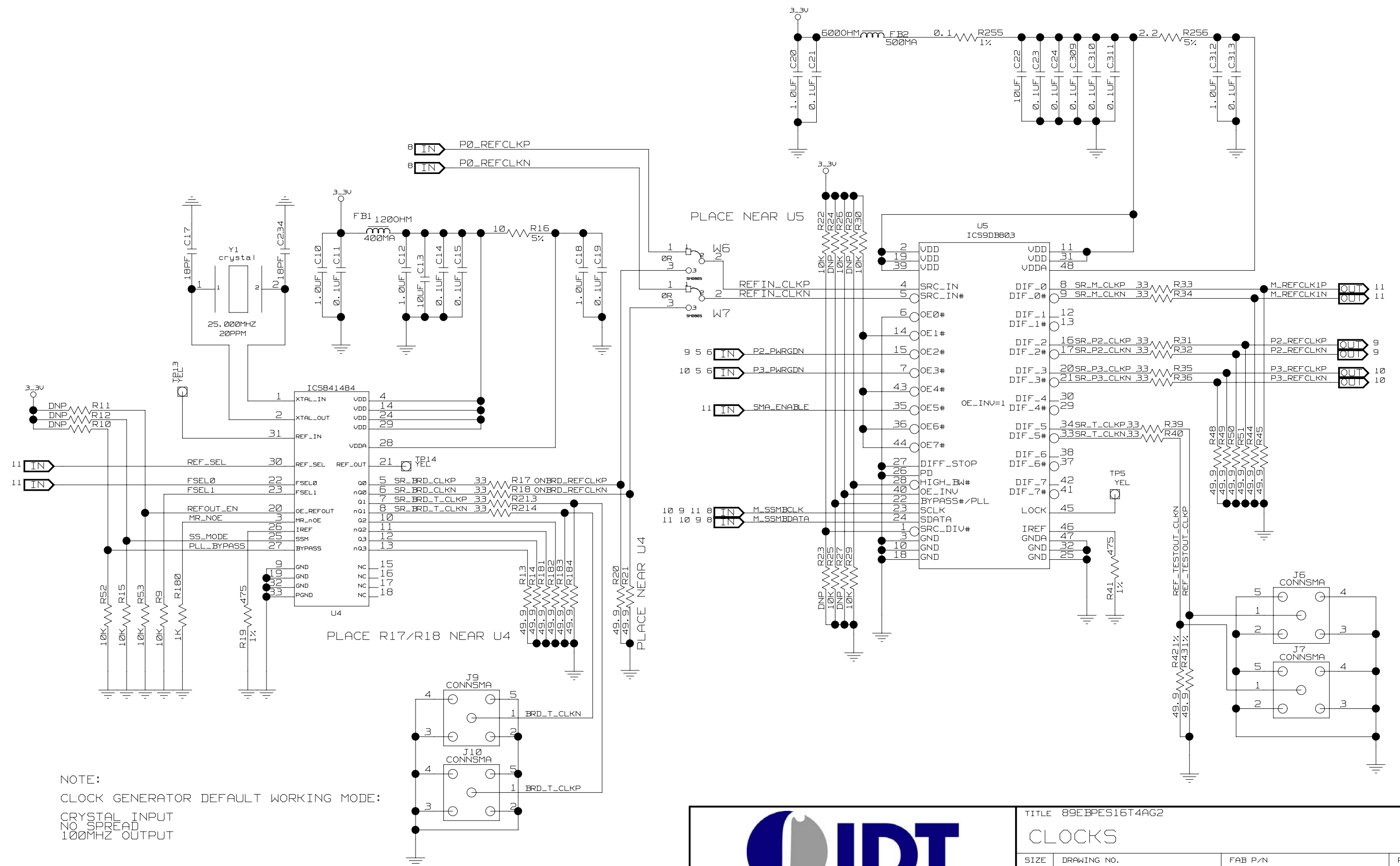


CONFIDENTIAL PROPERTY OF INTEGRATED DEVICE TECHNOLOGY, INC.
6024 SILVER CREEK VALLEY RD. SAN JOSE, CA 95138
COPYRIGHT (C) IDT2008


TITLE 89EBPES16T4AG2

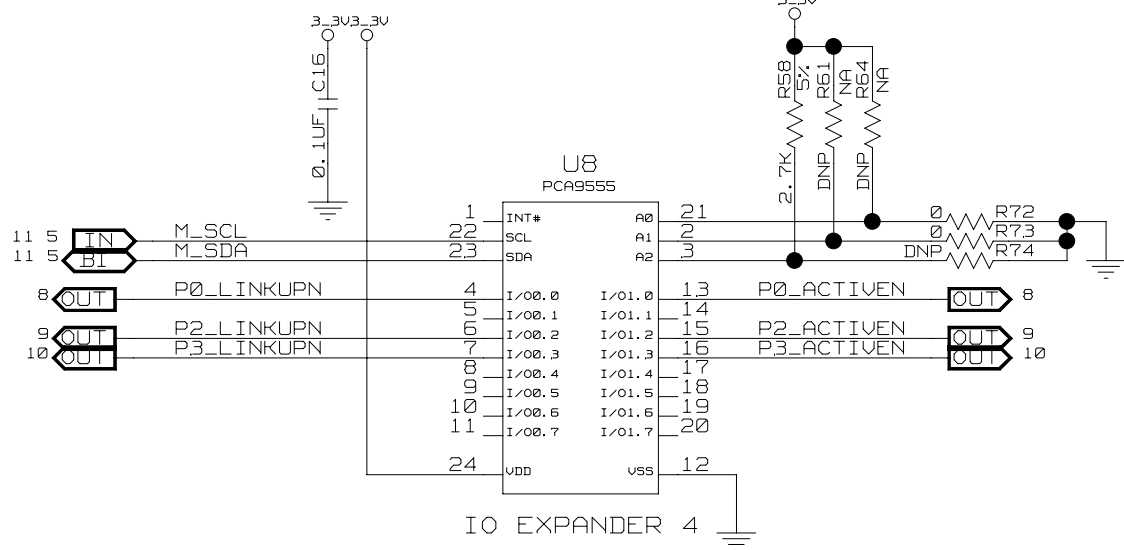
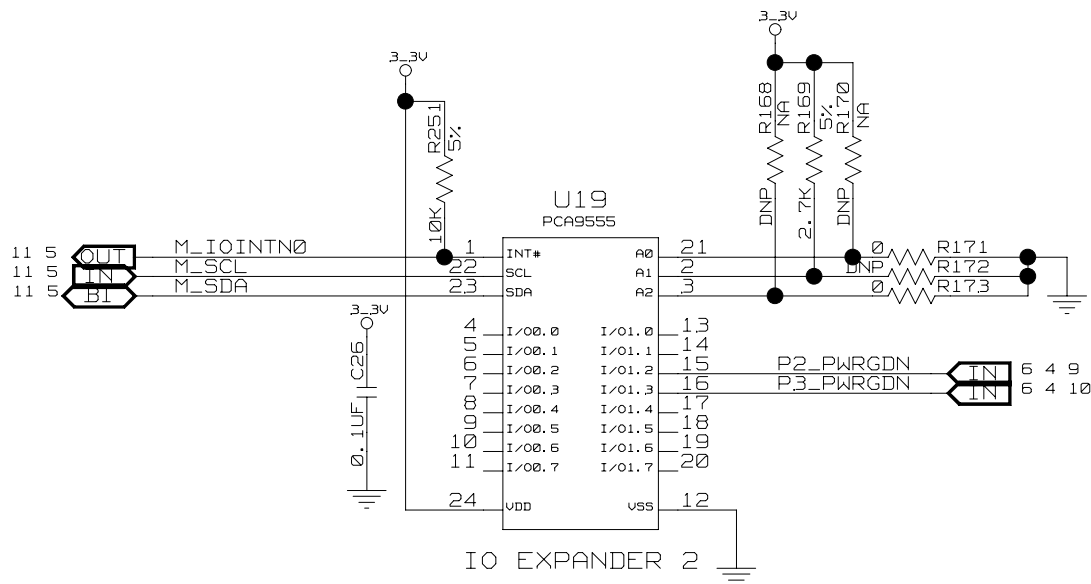
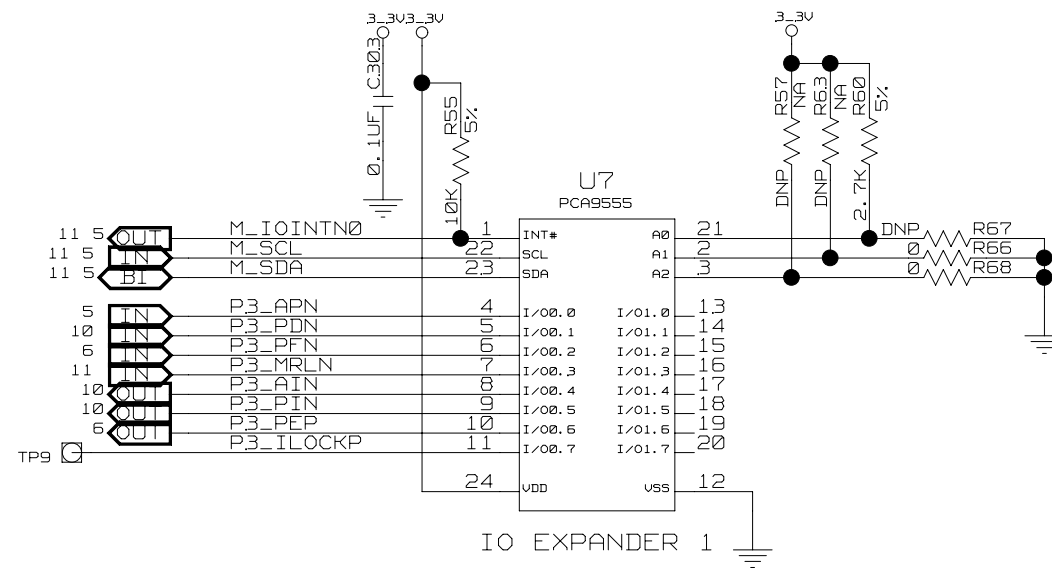
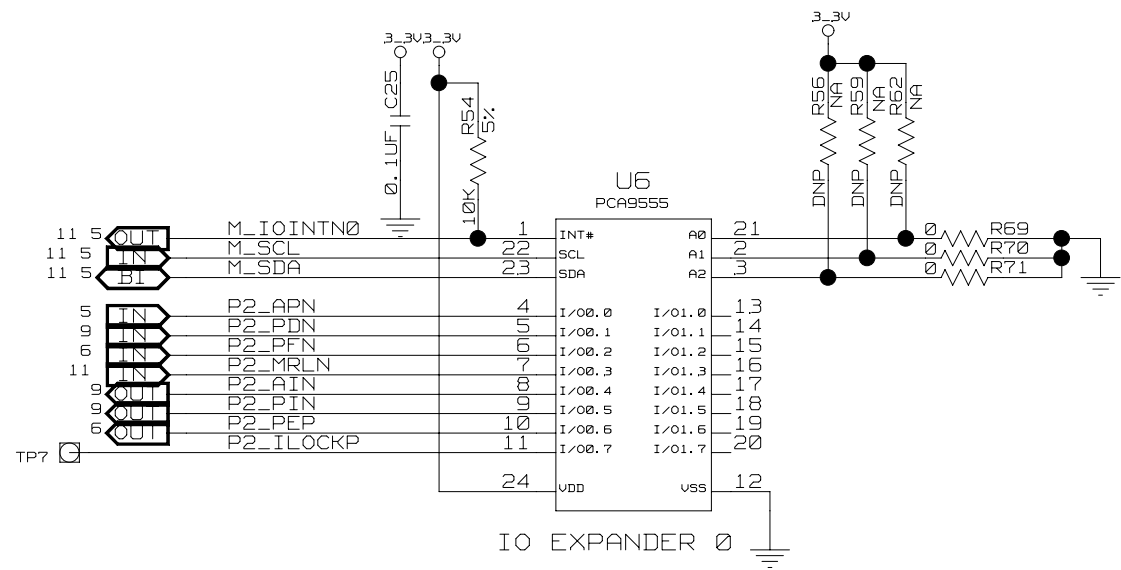
POWER REGULATORS

SIZE B	DRAWING NO. SCH-00157	FAB P/N 18-656-000	REV. 1.0
AUTHOR K Leung / T Tran		CHECKED BY D Huang	
Fri Jan 18 11:10:25 2008			SHEET 3 OF 12

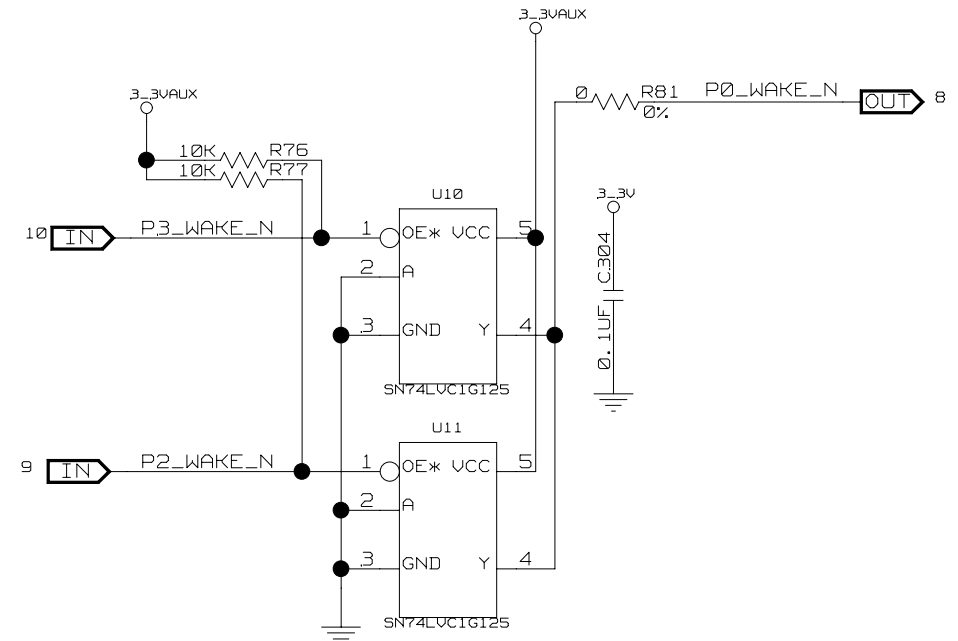
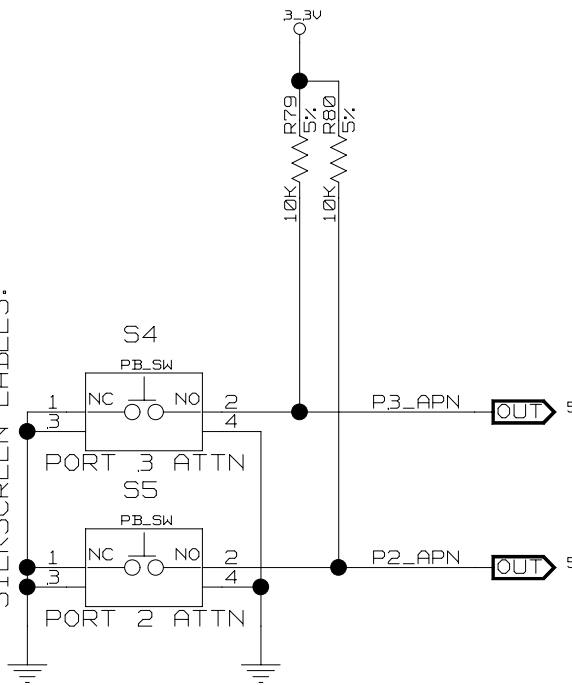


NOTE:
 CLOCK GENERATOR DEFAULT WORKING MODE:
 CRYSTAL INPUT
 NO SPREAD
 100MHZ OUTPUT

		TITLE 89EBPES16T4AG2	
		CLOCKS	
SIZE B	DRAWING NO. SCH-00157	FAB P/N 18-656-000	REV. 1.0
AUTHOR K Leung / T Tran		CHECKED BY D Huang	
CONFIDENTIAL PROPERTY OF INTEGRATED DEVICE TECHNOLOGY, INC. 6024 SILVER CREEK VALLEY RD. SAN JOSE, CA 95138 COPYRIGHT (C) IDT2008		Fri Jan 18 11:10:26 2008 SHEET 4 OF 12	

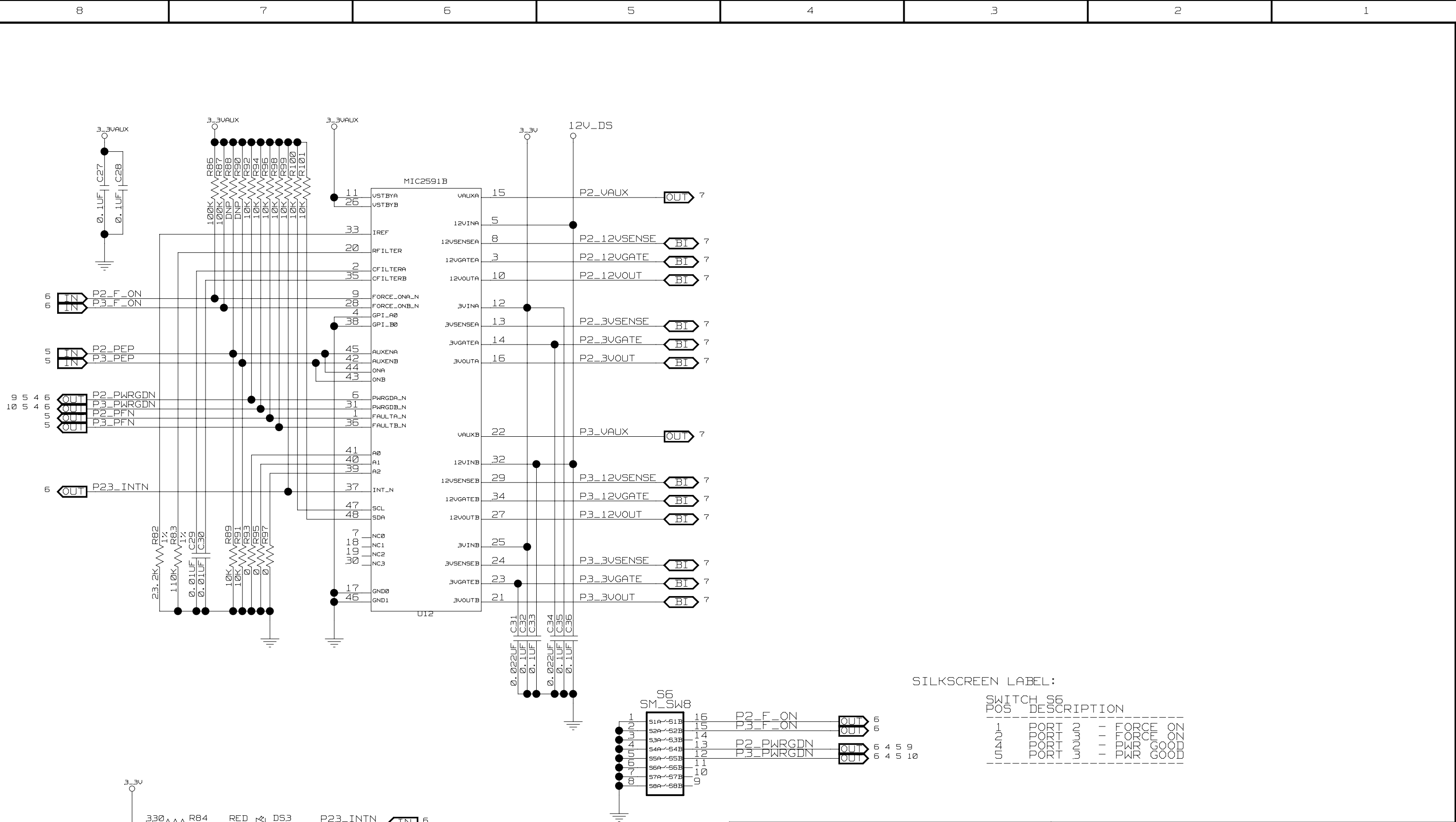


SILKSCREEN LABELS:




CONFIDENTIAL PROPERTY OF INTEGRATED DEVICE TECHNOLOGY, INC.
6024 SILVER CREEK VALLEY RD. SAN JOSE, CA 95138
COPYRIGHT (C) IDT2008

TITLE 89EBPES16T4AG2			
IO EXP, WAKE, ATTN BUTTONS			
SIZE	DRAWING NO.	FAB P/N	REV.
B	SCH-00157	18-656-000	1.0
AUTHOR		CHECKED BY	
K Leung / T Tran		D Huang	
Fri Jan 18 11:10:26 2008			SHEET 5 OF 12



SILKSCREEN LABEL:

POS	DESCRIPTION
1	PORT 1 - FORCE ON
2	PORT 2 - FORCE ON
3	PORT 3 - PWR GOOD
4	PORT 4 - PWR GOOD
5	PORT 5 - PWR GOOD
6	PORT 6 - PWR GOOD
7	PORT 7 - PWR GOOD
8	PORT 8 - PWR GOOD
9	PORT 9 - PWR GOOD
10	PORT 10 - PWR GOOD
11	PORT 11 - PWR GOOD
12	PORT 12 - PWR GOOD
13	PORT 13 - PWR GOOD
14	PORT 14 - PWR GOOD
15	PORT 15 - PWR GOOD
16	PORT 16 - PWR GOOD



CONFIDENTIAL PROPERTY OF INTEGRATED DEVICE TECHNOLOGY, INC.
6024 SILVER CREEK VALLEY RD. SAN JOSE, CA 95138
COPYRIGHT (C) IDT2008

TITLE 89EBPES16T4AG2
HOT PLUG CONTROLLERS

SIZE B	DRAWING NO. SCH-00157	FAB P/N 18-656-000	REV. 1.0
AUTHOR K Leung / T Tran		CHECKED BY D Huang	
Fri Jan 18 11:10:26 2008			SHEET 6 OF 12

D

D

C

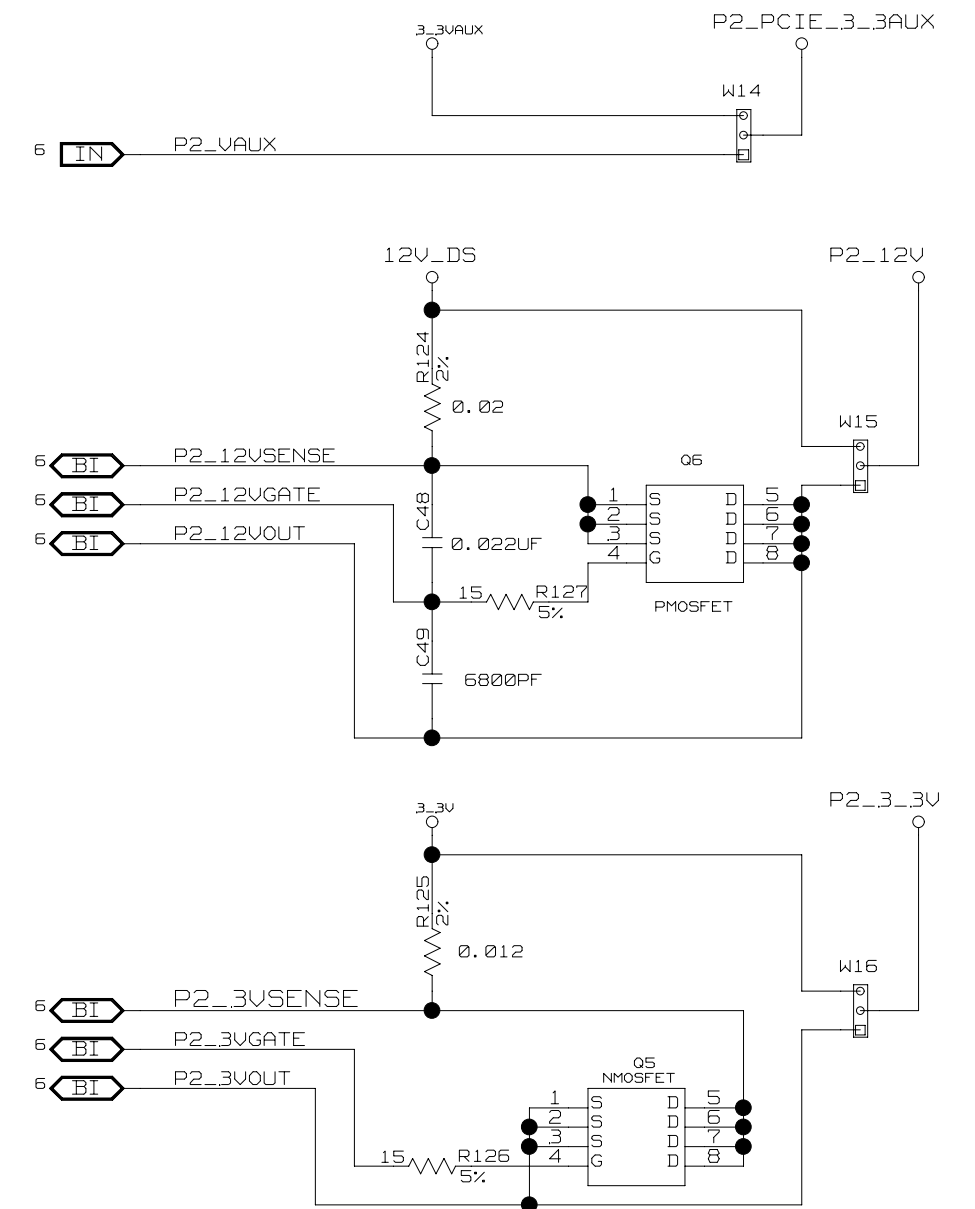
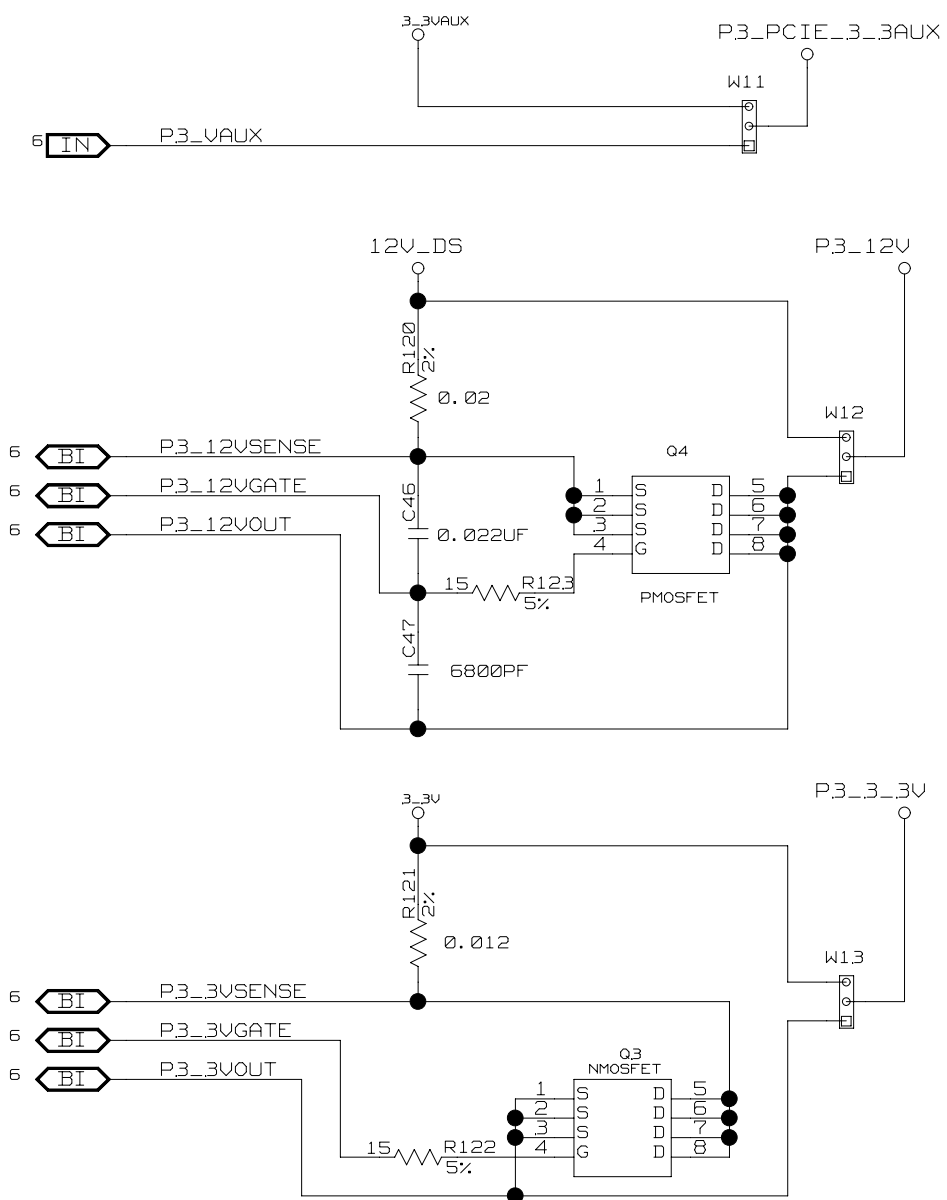
C

B

B

A

A



NOTE; USE PLANES OR WIDE TRACES FOR ALL POWER NETS



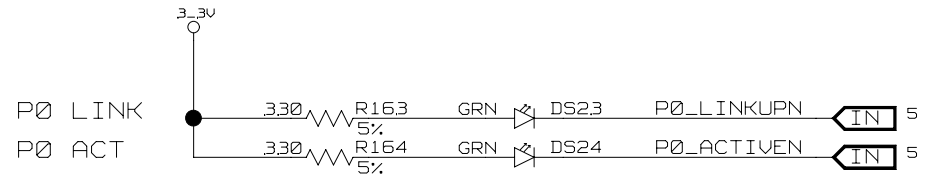
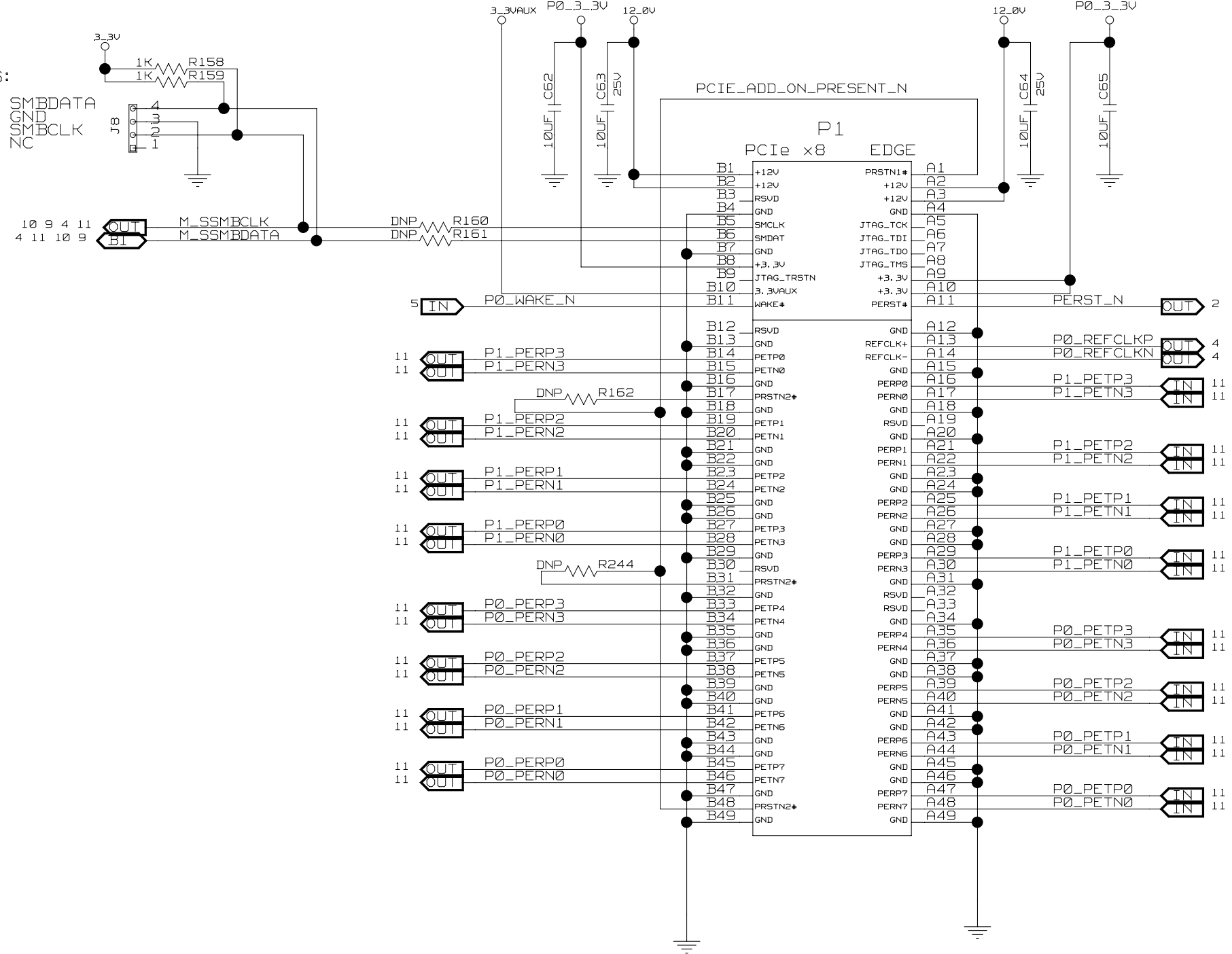
CONFIDENTIAL PROPERTY OF INTEGRATED DEVICE TECHNOLOGY, INC.
6024 SILVER CREEK VALLEY RD. SAN JOSE, CA 95138
COPYRIGHT (C) IDT2008

TITLE 89EBPES16T4AG2			
HOT PLUG - MOSFETS			
SIZE B	DRAWING NO. SCH-00157	FAB P/N 18-656-000	REV. 1.0
AUTHOR K Leung / T Tran		CHECKED BY D Huang	
Fri Jan 18 11:10:26 2008			SHEET 7 OF 12

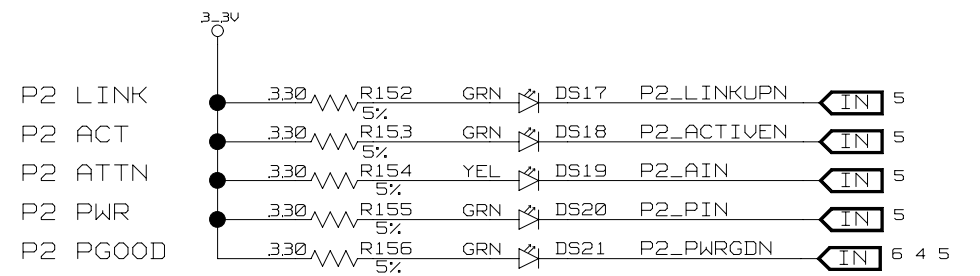
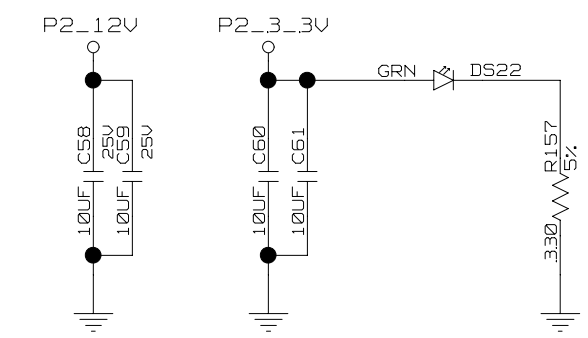
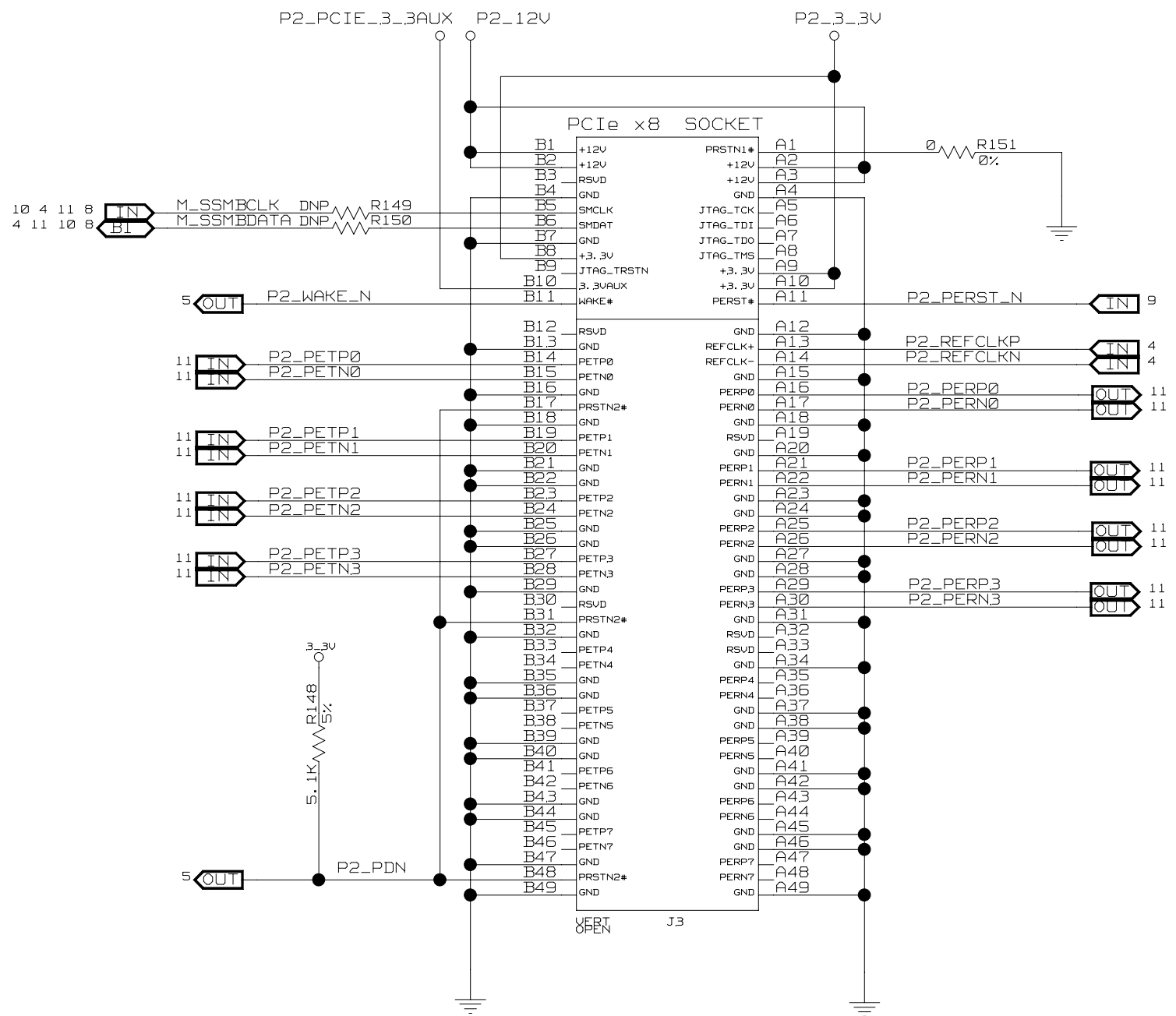
LABEL PINS:

4 SMBDATA
 1 GND
 2 SMBCLK
 3 GND

10 9 4 11
 4 11 10 9

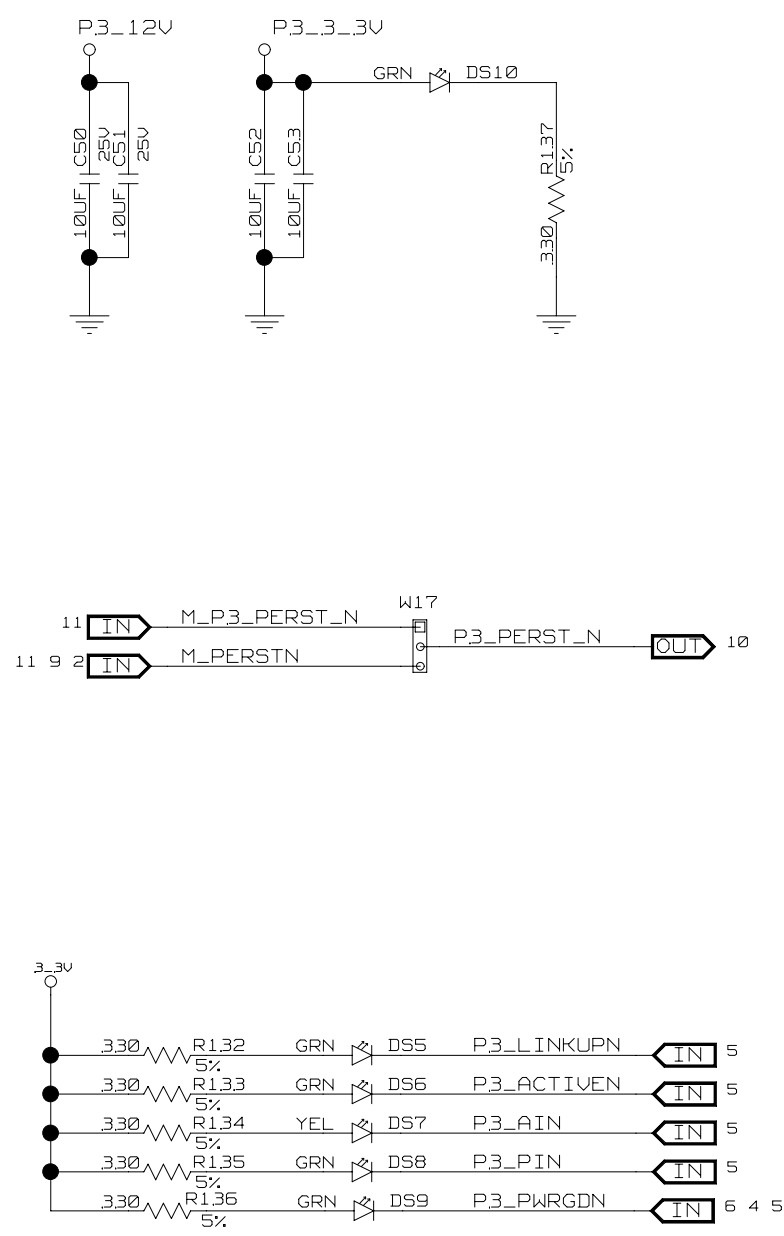
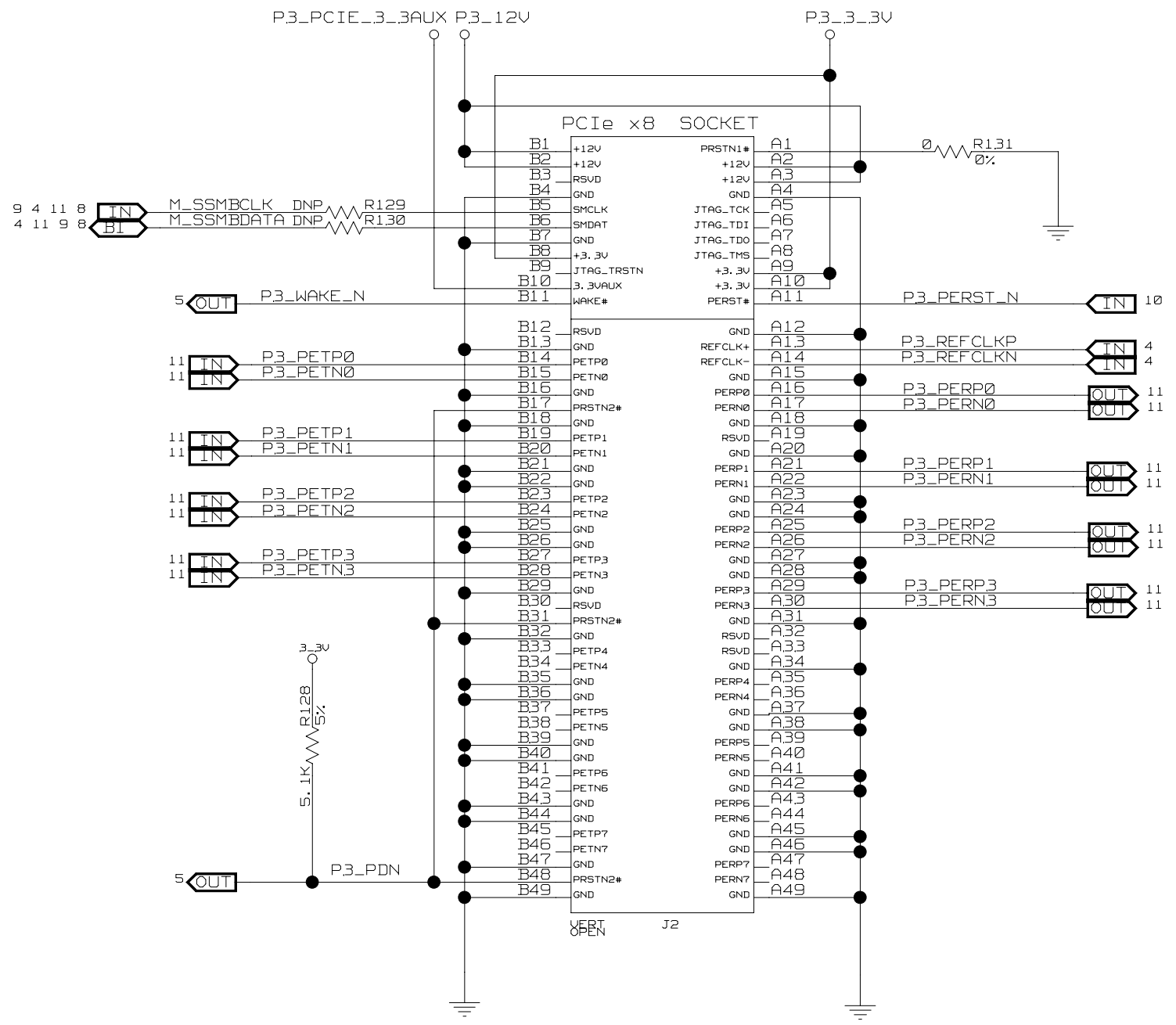



TITLE 89EBPES16T4G2			
PORT 0 UPSTREAM EDGE CONN.			
SIZE	DRAWING NO.	FAB P/N	REV.
B	SCH-00157	18-656-000	1.0
AUTHOR		CHECKED BY	
K Leung / T Tran		D Huang	
Fri Jan 18 11:10:24 2008			SHEET 8 OF 12



CONFIDENTIAL PROPERTY OF INTEGRATED DEVICE TECHNOLOGY, INC.
 6024 SILVER CREEK VALLEY RD. SAN JOSE, CA 95138
 COPYRIGHT (C) IDT2008

TITLE 89EBPES16T4AG2			
PORT 2 CONNECTOR			
SIZE B	DRAWING NO. SCH-00157	FAB P/N 18-656-000	REV. 1.0
AUTHOR K Leung / T Tran		CHECKED BY D Huang	
Fri Jan 18 11:10:24 2008			SHEET 9 OF 12





CONFIDENTIAL PROPERTY OF INTEGRATED DEVICE TECHNOLOGY, INC.
6024 SILVER CREEK VALLEY RD. SAN JOSE, CA 95138
COPYRIGHT (C) IDT2008

TITLE 89EBPES16T4AG2
PORT 3 CONNECTOR

SIZE B	DRAWING NO. SCH-00157	FAB P/N 18-656-000	REV. 1.0
AUTHOR K Leung / T Tran		CHECKED BY D Huang	
Fri Jan 18 11:10:27 2008			SHEET 10 OF 12

D

C

B

A

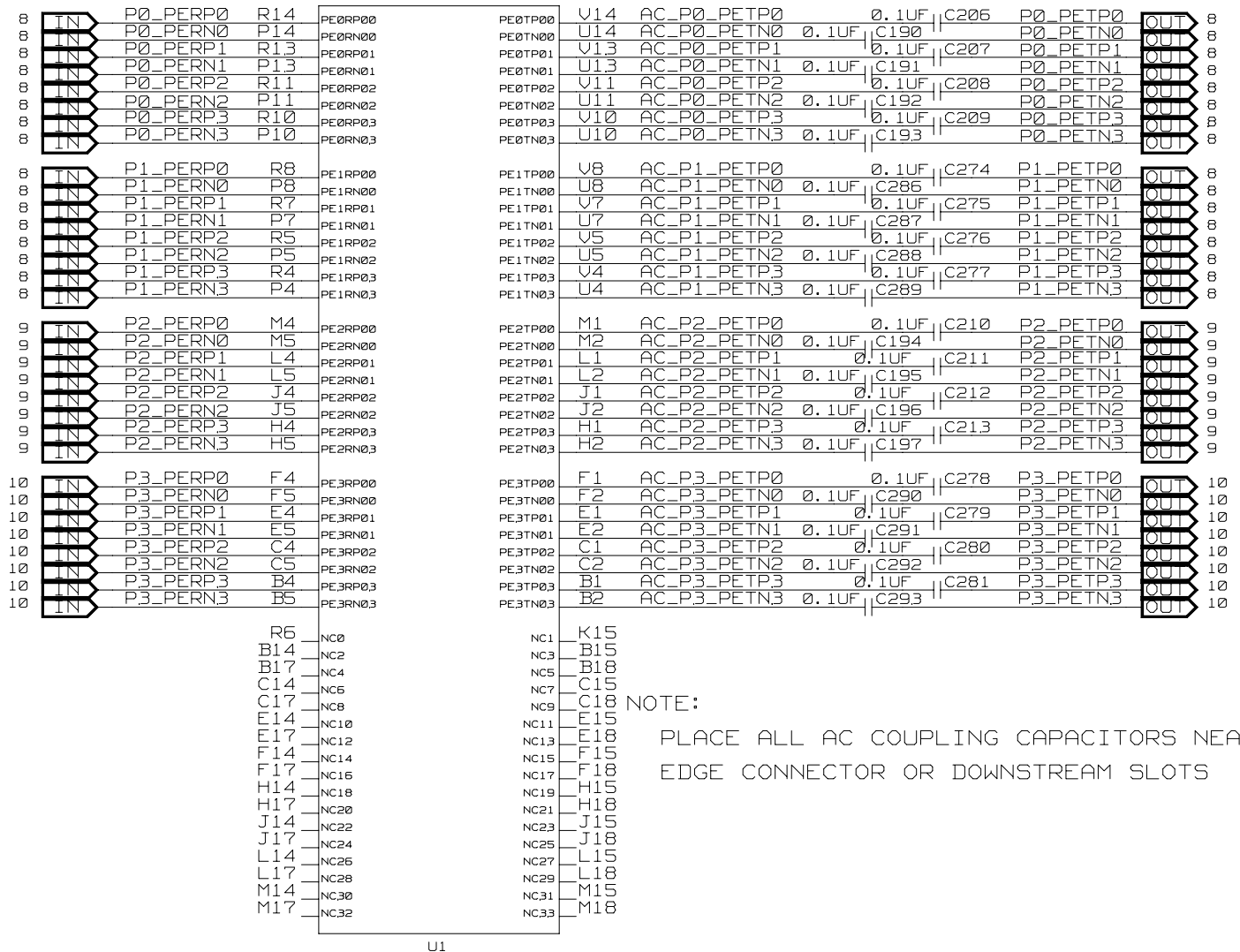
D

C

B

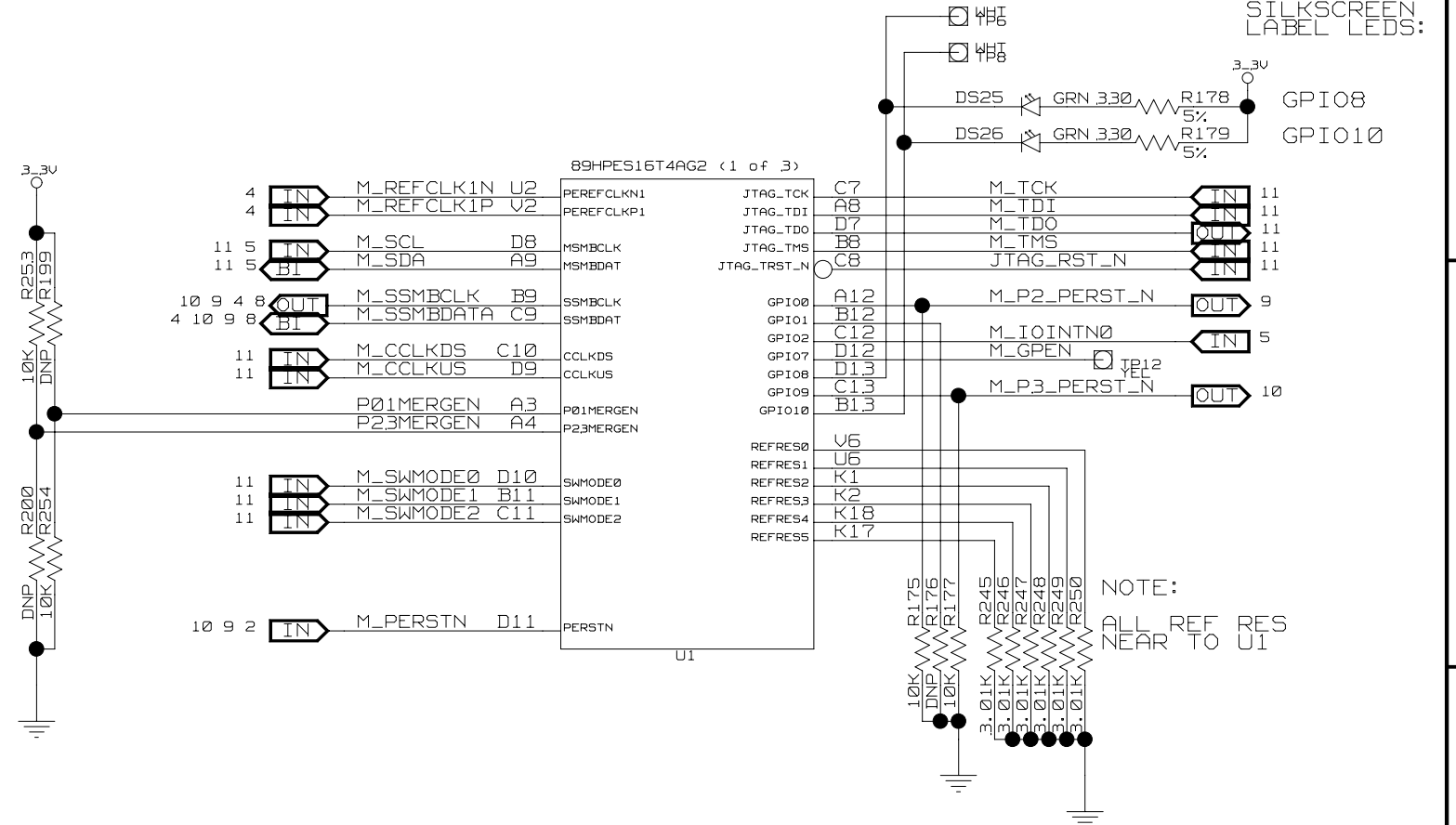
A

89HPES16T4AG2 (2 of 3)

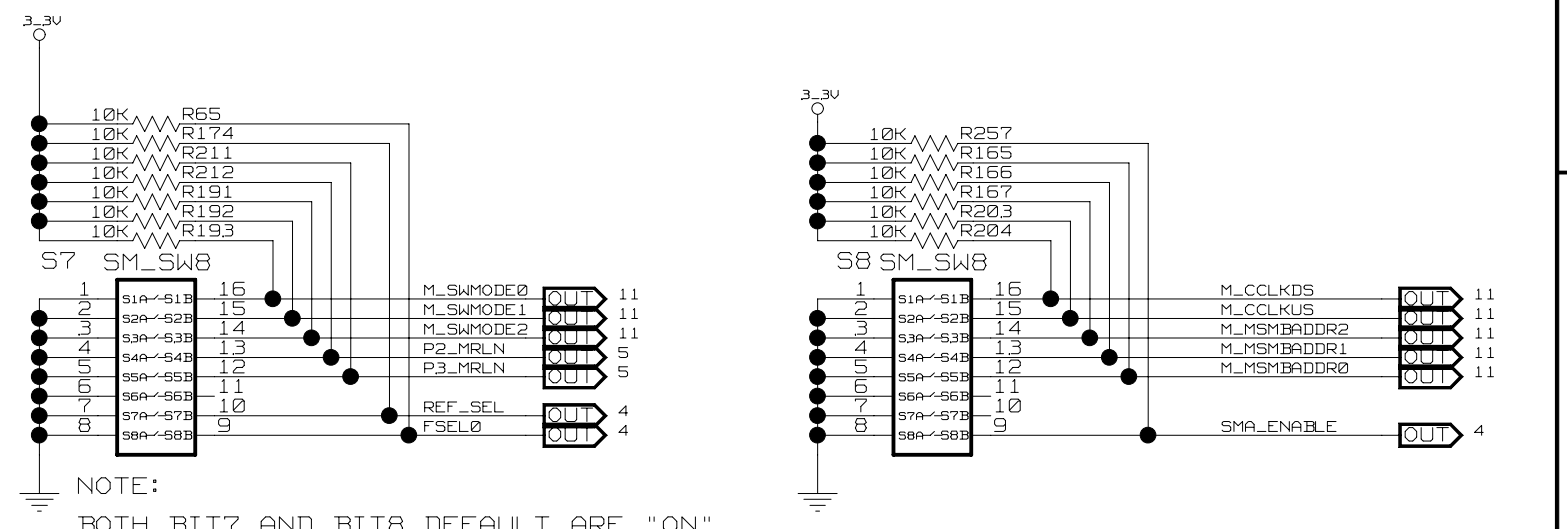


NOTE: PLACE ALL AC COUPLING CAPACITORS NEAR EDGE CONNECTOR OR DOWNSTREAM SLOTS

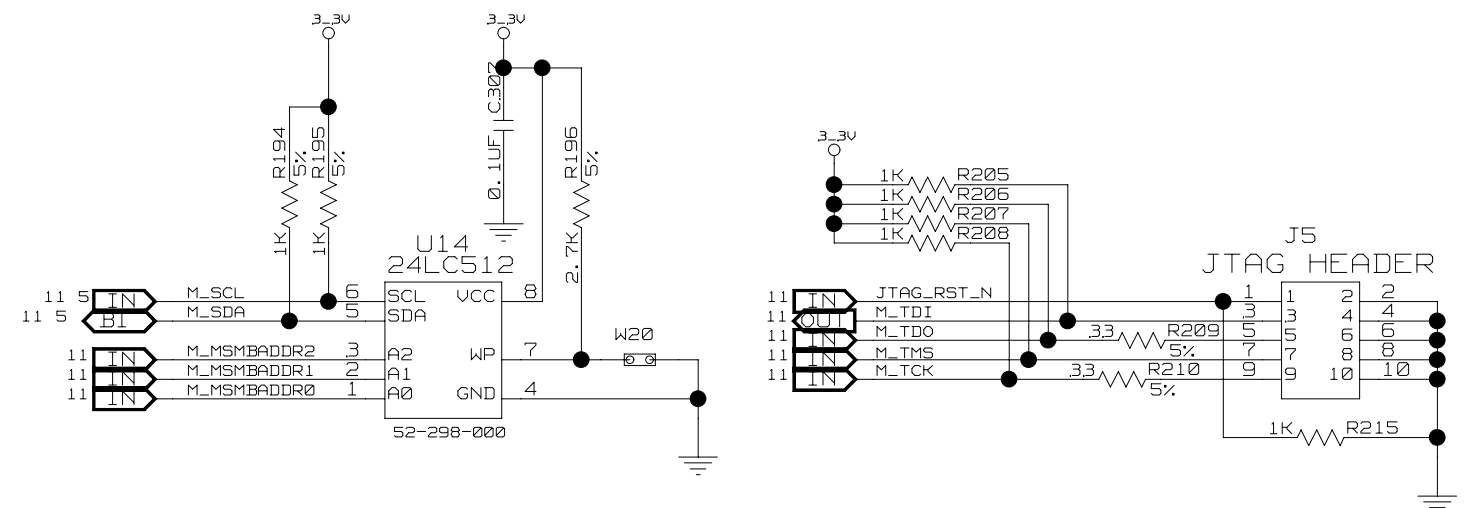
SILKSCREEN LABEL LEDS:




NOTE: ALL REF RES NEAR TO U1



NOTE: BOTH BIT7 AND BIT8 DEFAULT ARE "ON".

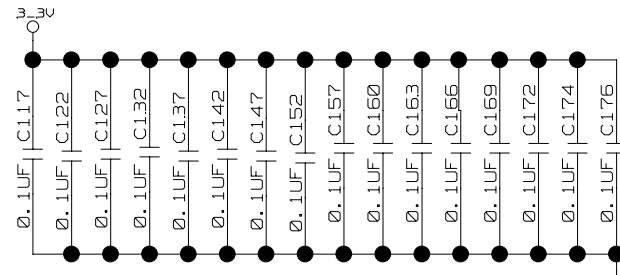
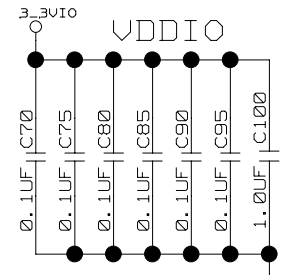
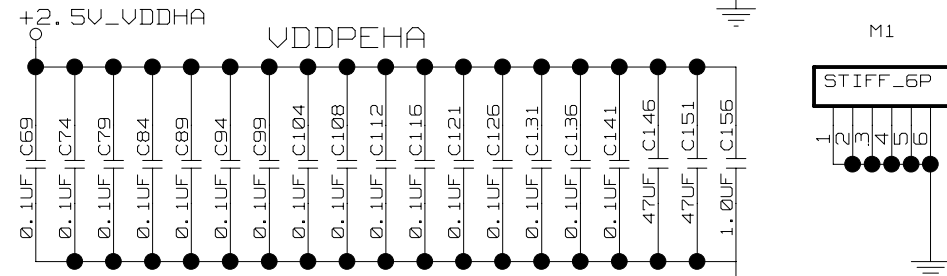
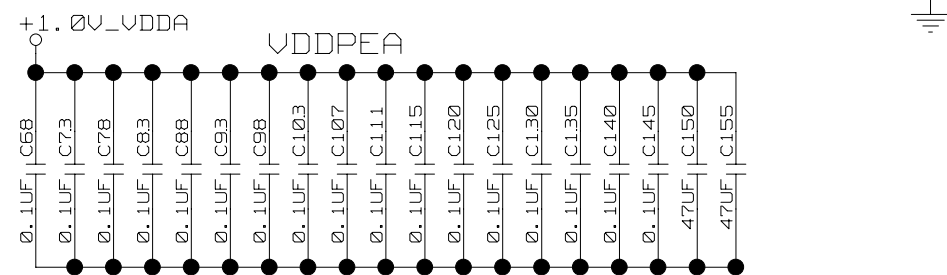
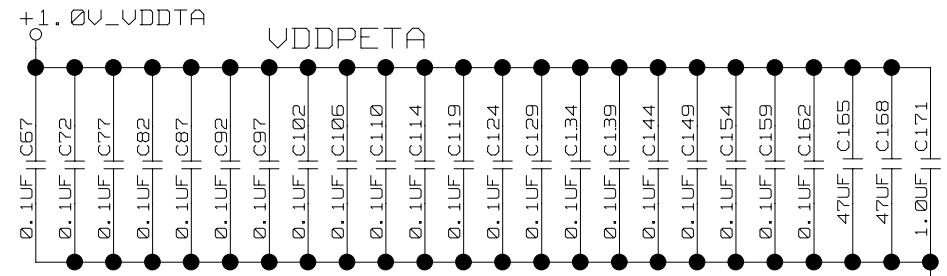
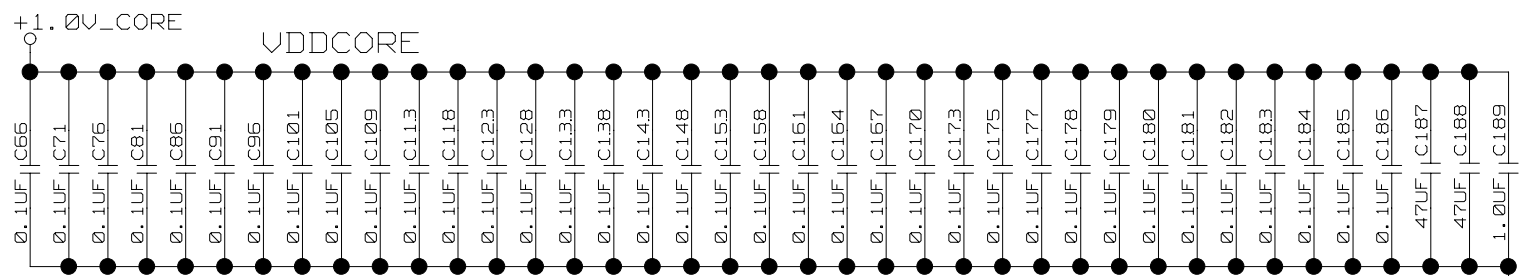
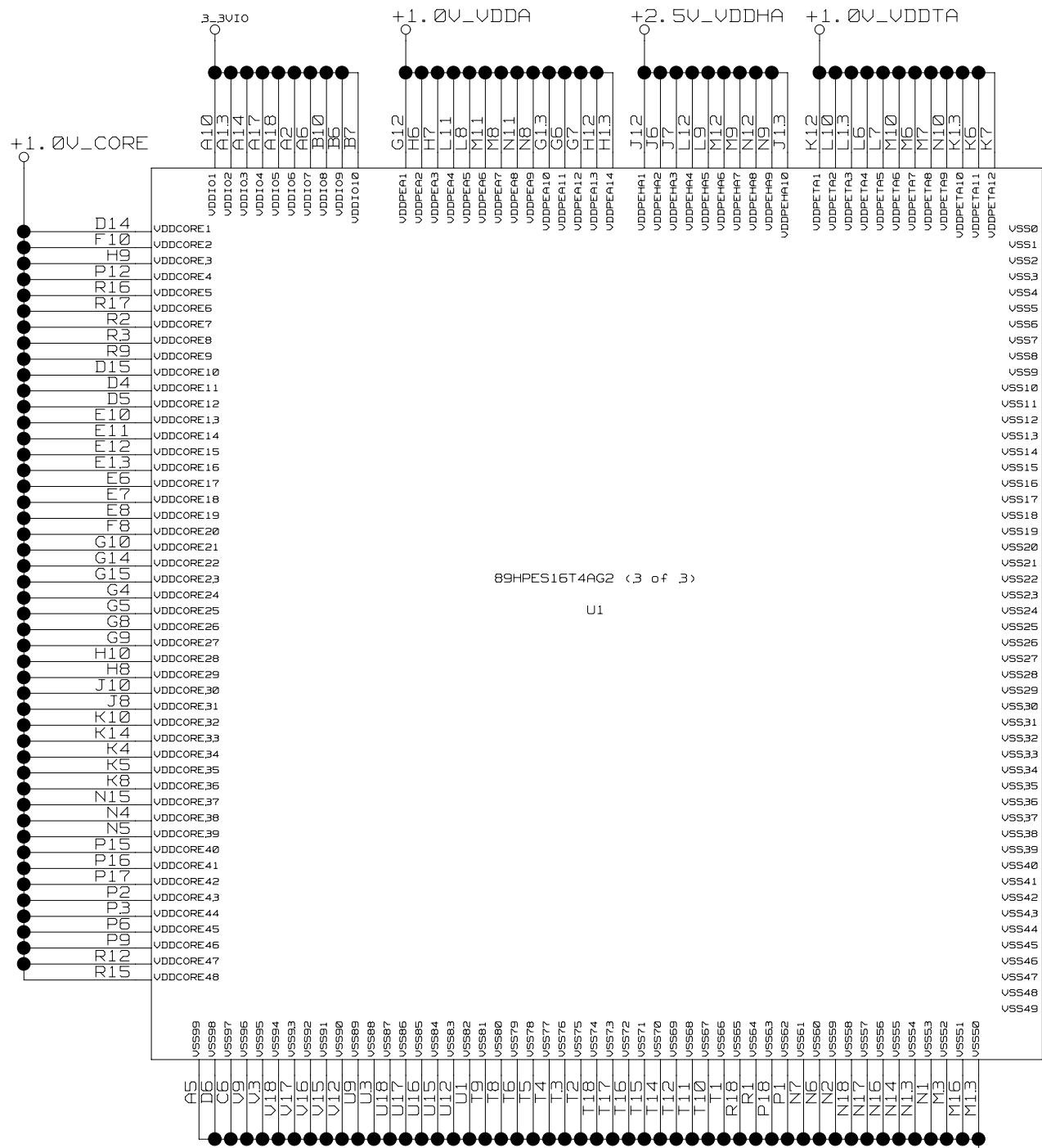




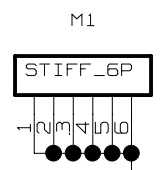
CONFIDENTIAL PROPERTY OF INTEGRATED DEVICE TECHNOLOGY, INC.
6024 SILVER CREEK VALLEY RD. SAN JOSE, CA 95138
COPYRIGHT (C) IDT2008


TITLE 89EPES16T4AG2
89HPES16T4AG2 - EEPROM, JTAG

SIZE B	DRAWING NO. SCH-00157	FAB P/N 18-656-000	REV. 1.0
AUTHOR K Leung / T Tran		CHECKED BY D Huang	
Fri Jan 18 11:10:24 2008			SHEET 11 OF 12



89HPES16T4AG2 (3 of 3)
U1



				TITLE 89EBPES16T4AG2			
				89HPES16T4AG2 - POWER			
SIZE	DRAWING NO.	FAB P/N	REV.				
B	SCH-00157	18-656-000	1.0				
AUTHOR			CHECKED BY				
K Leung / T Tran			D Huang				
Fri Jan 18 11:10:27 2008				SHEET 12 OF 12			

CONFIDENTIAL PROPERTY OF INTEGRATED DEVICE TECHNOLOGY, INC.
6024 SILVER CREEK VALLEY RD. SAN JOSE, CA 95138
COPYRIGHT (C) IDT2008