

REVISIONS				
DCN	REV	DESCRIPTION	DATE	CHANGE BY
	1.0	INITIAL RELEASE	2009-12-05	T. TRAN

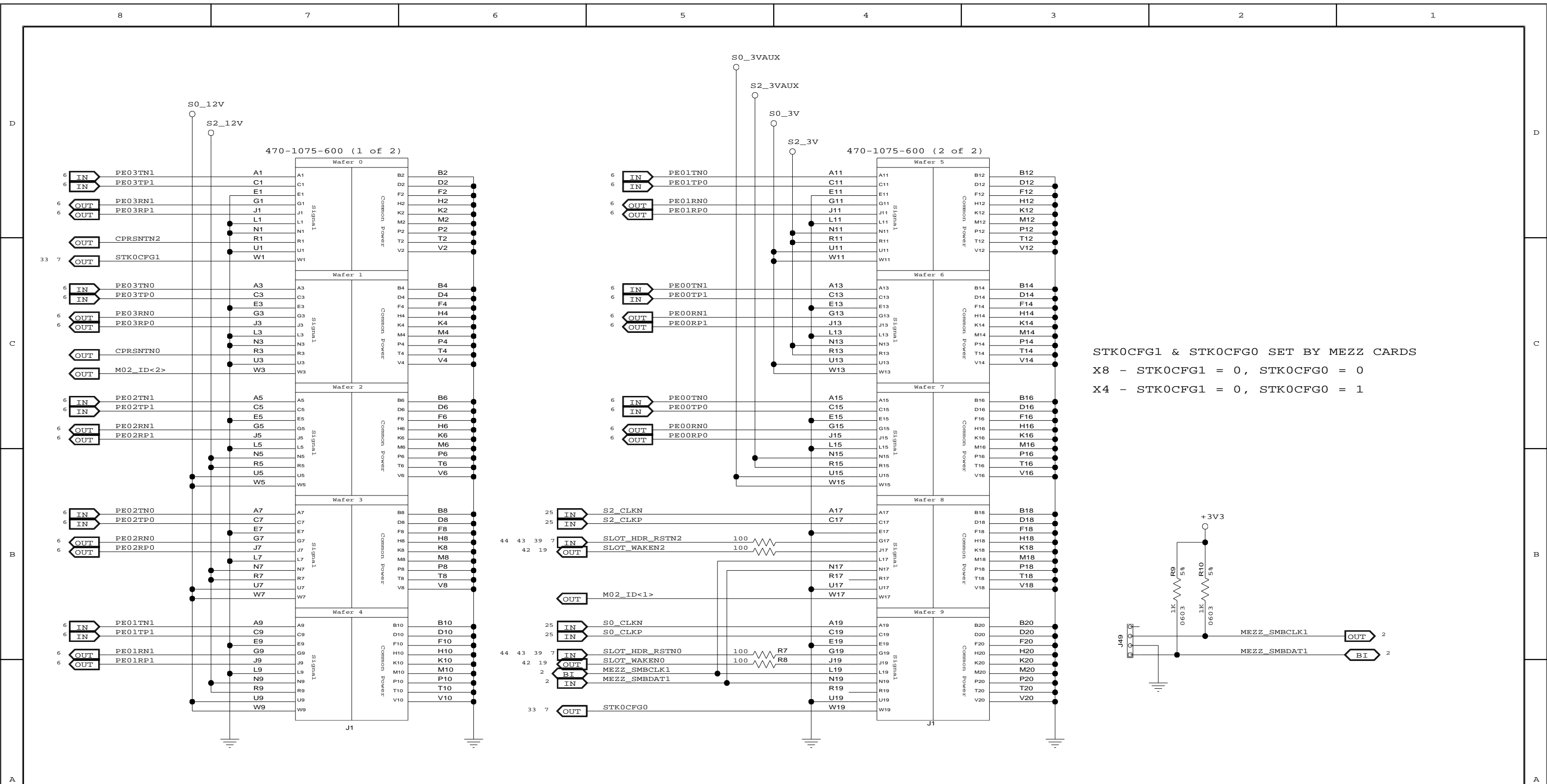
# 1. TITLE PAGE / TABLE OF CONTENTS

- |     |  |        |     |                                |
|-----|--|--------|-----|--------------------------------|
| 2.  | MEZZANINE CONNECTOR PORTS                | 0, 2   | 27. | POWER REGULATOR - VDDIO        |
| 3.  | MEZZANINE CONNECTOR PORTS                | 4, 6   | 28. | POWER REGULATOR - VDDCORE      |
| 4.  | MEZZANINE CONNECTOR PORTS                | 8, 12  | 29. | POWER REGULATOR - VDDPEA       |
| 5.  | MEZZANINE CONNECTOR PORTS                | 16, 20 | 30. | POWER REGULATOR - VDDPEHA      |
| 6.  | 32NT24AG2 - SERDES                       |        | 31. | POWER REGULATOR - VDDPETA      |
| 7.  | 32NT24AG2 - CLK, CONFIG, GPIO            |        | 32. | RESET, SMBUS, EEPROM, JTAG     |
| 8.  | 32NT24AG2 - POWER, GND                   |        | 33. | DIP SWITCHES                   |
| 9.  | IOEXPANDER 0-3                           |        | 34. | LED - PORT STATUS (1 OF 7)     |
| 10. | IOEXPANDER 4-7                           |        | 35. | LED - PORT STATUS (2 OF 7)     |
| 11. | IOEXPANDER 8-11                          |        | 36. | LED - PORT STATUS (3 OF 7)     |
| 12. | IOEXPANDER 12-13                         |        | 37. | LED - PORT STATUS (4 OF 7)     |
| 13. | IOEXPANDER 16-19                         |        | 38. | LED - PORT STATUS (5 OF 7)     |
| 14. | IOEXPANDER 20-21                         |        | 39. | LED - PORT STATUS (6 OF 7)     |
| 15. | HOT PLUG CONTROL PORTS                   | 0-2    | 40. | LED - PORT STATUS (7 OF 7)     |
| 16. | HOT PLUG CONTROL PORTS                   | 4-6    | 41. | MIN LOAD RESISTORS             |
| 17. | HOT PLUG CONTROL PORTS                   | 8-12   | 42. | 12PK RIBBON CONNECTORS         |
| 18. | HOT PLUG CONTROL PORTS                   | 16-20  | 43. | PARTITION RESET SELECT HEADERS |
| 19. | SLOT RESETS AND WAKE PULL-UPS            |        | 44. | SLOT RESET SELECT HEADERS      |
| 20. | CLOCK GENERATOR / SOURCE INPUT           |        | 45. | PORT 0 CLOCK GENERATOR         |
| 21. | CLOCK BUFFER - 1                         |        | 46. | PORT 2 CLOCK GENERATOR         |
| 22. | CLOCK SELECTOR DUT PCLK 8                |        | 47. | PORT 4 CLOCK GENERATOR         |
| 23. | CLOCK SELECTOR DUT PCLK 16               |        | 48. | PORT 6 CLOCK GENERATOR         |
| 24. | CLOCK SELECTOR - DUT PCLK 0-20, GCLK 1-2 |        | 49. | PORT 8 CLOCK GENERATOR         |
| 25. | CLOCK SELECTOR - SLOTS 0-20              |        | 50. | PORT 12 CLOCK GENERATOR        |
| 26. | POWER CONNECTORS                         |        | 51. | PORT 16 CLOCK GENERATOR        |
|     |  |        | 52. | PORT 20 CLOCK GENERATOR        |

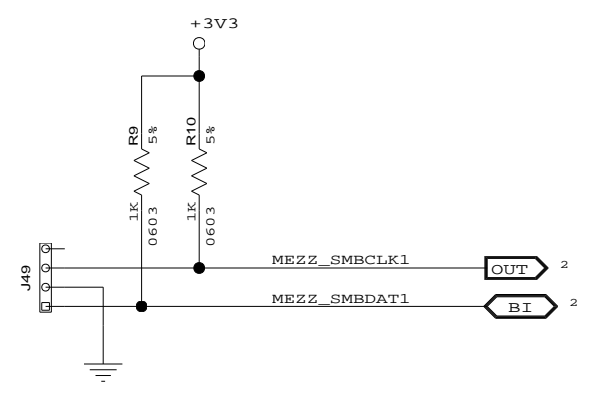



CONFIDENTIAL PROPERTY OF INTEGRATED DEVICE TECHNOLOGY, INC.  
 6024 SILVER CREEK VALLEY ROAD, SAN JOSE, CA 95138  
 COPYRIGHT (C) 2009

TITLE EB-LOGAN-23			
SIZE B	DRAWING NO. SCH-PESEB-001	FAB P/N 18-691-001	REV. 2.0
AUTHOR Tony Tran		CHECKED BY Derek Huang	
Thu Jul 01 15:00:52 2010			SHEET 1 OF 52



STK0CFG1 & STK0CFG0 SET BY MEZZ CARDS  
 X8 - STK0CFG1 = 0, STK0CFG0 = 0  
 X4 - STK0CFG1 = 0, STK0CFG0 = 1



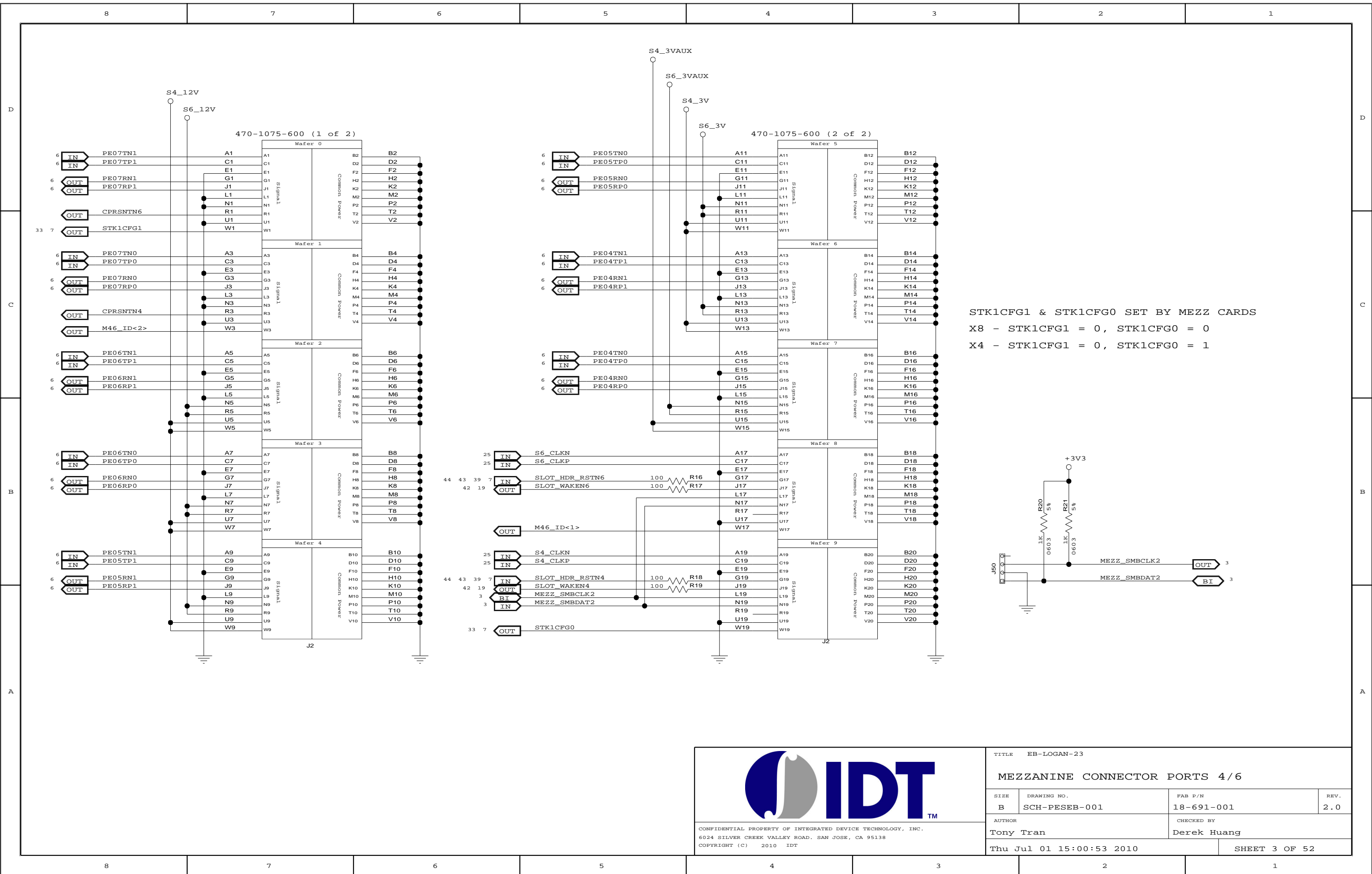


CONFIDENTIAL PROPERTY OF INTEGRATED DEVICE TECHNOLOGY, INC.  
 6024 SILVER CREEK VALLEY ROAD, SAN JOSE, CA 95138  
 COPYRIGHT (C) 2010 IDT


TITLE EB-LOGAN-23

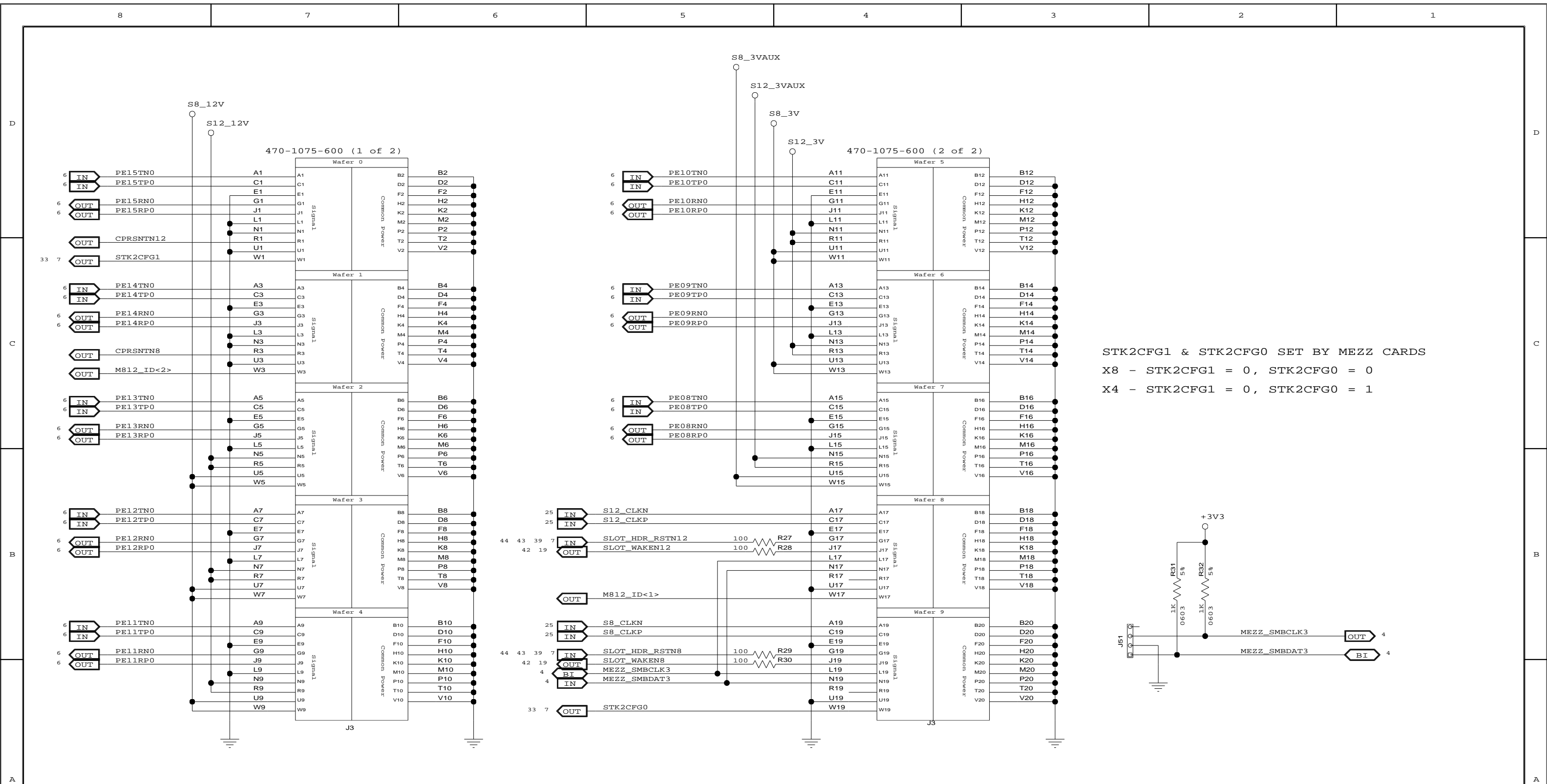
**MEZZANINE CONNECTOR PORTS 0/2**

SIZE	DRAWING NO.	FAB P/N	REV.
B	SCH-PESEB-001	18-691-001	2.0
AUTHOR		CHECKED BY	
Tony Tran		Derek Huang	
Thu Jul 01 15:00:53 2010			SHEET 2 OF 52

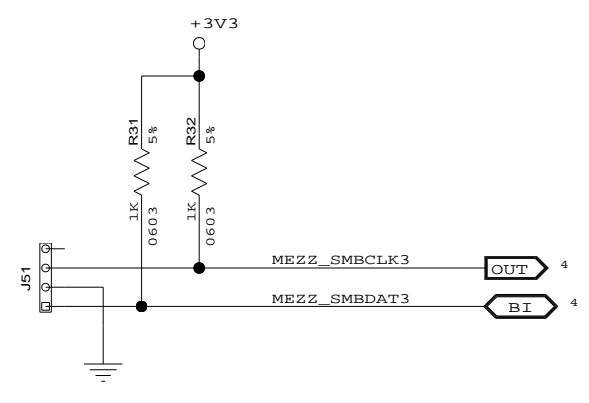



STK1CFG1 & STK1CFG0 SET BY MEZZ CARDS  
 X8 - STK1CFG1 = 0, STK1CFG0 = 0  
 X4 - STK1CFG1 = 0, STK1CFG0 = 1

				TITLE EB-LOGAN-23			
CONFIDENTIAL PROPERTY OF INTEGRATED DEVICE TECHNOLOGY, INC. 6024 SILVER CREEK VALLEY ROAD, SAN JOSE, CA 95138 COPYRIGHT (C) 2010 IDT				<b>MEZZANINE CONNECTOR PORTS 4/6</b>			
SIZE	DRAWING NO.	FAB P/N	REV.				
B	SCH-PESEB-001	18-691-001	2.0				
AUTHOR			CHECKED BY				
Tony Tran			Derek Huang				
Thu Jul 01 15:00:53 2010				SHEET 3 OF 52			



STK2CFG1 & STK2CFG0 SET BY MEZZ CARDS  
 X8 - STK2CFG1 = 0, STK2CFG0 = 0  
 X4 - STK2CFG1 = 0, STK2CFG0 = 1





CONFIDENTIAL PROPERTY OF INTEGRATED DEVICE TECHNOLOGY, INC.  
 6024 SILVER CREEK VALLEY ROAD, SAN JOSE, CA 95138  
 COPYRIGHT (C) 2010 IDT

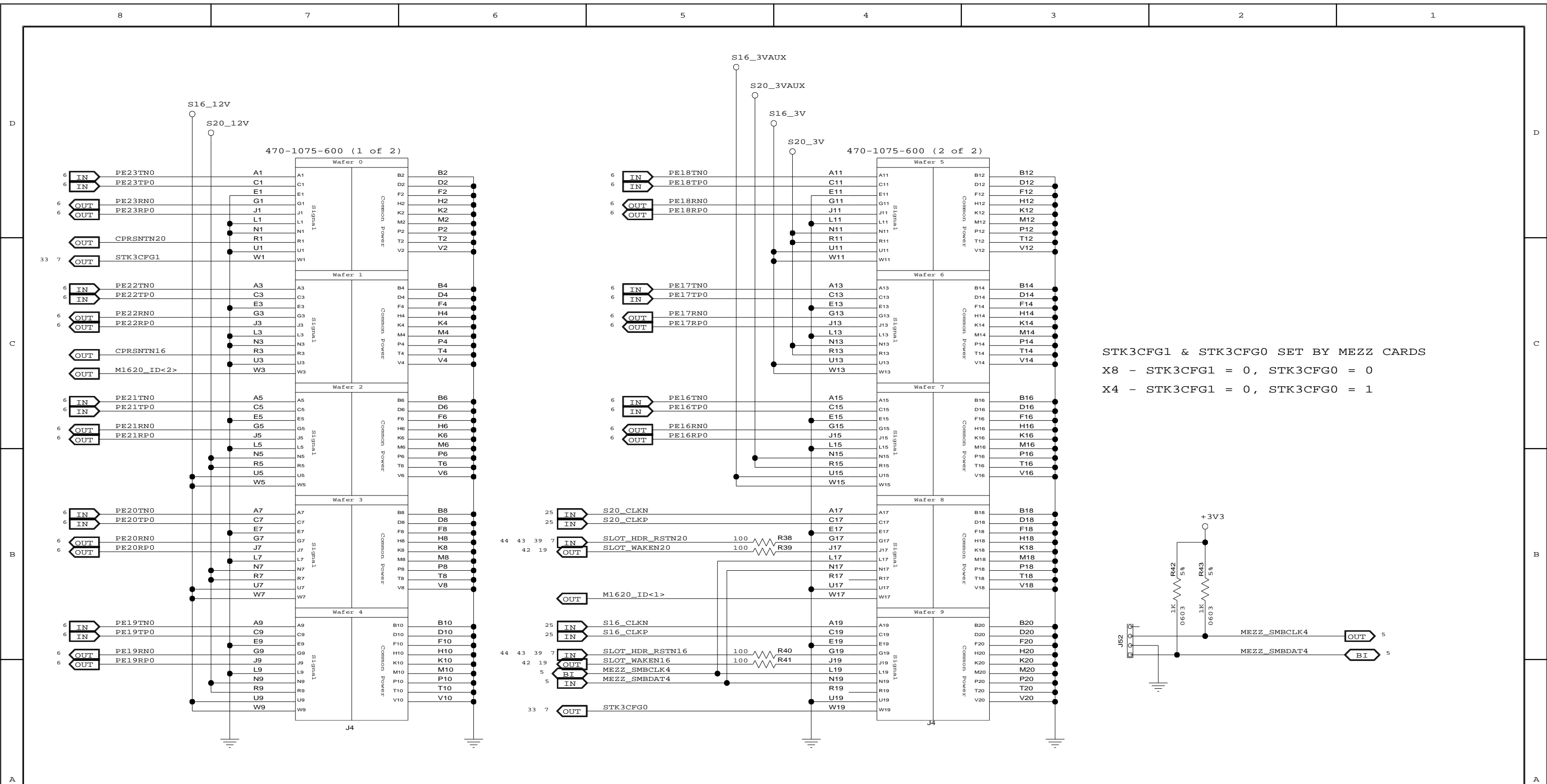
TITLE EB-LOGAN-23

MEZZANINE CONNECTOR PORTS 8/12


SIZE	DRAWING NO.	FAB P/N	REV.
B	SCH-PESEB-001	18-691-001	2.0

AUTHOR: Tony Tran  
 CHECKED BY: Derek Huang

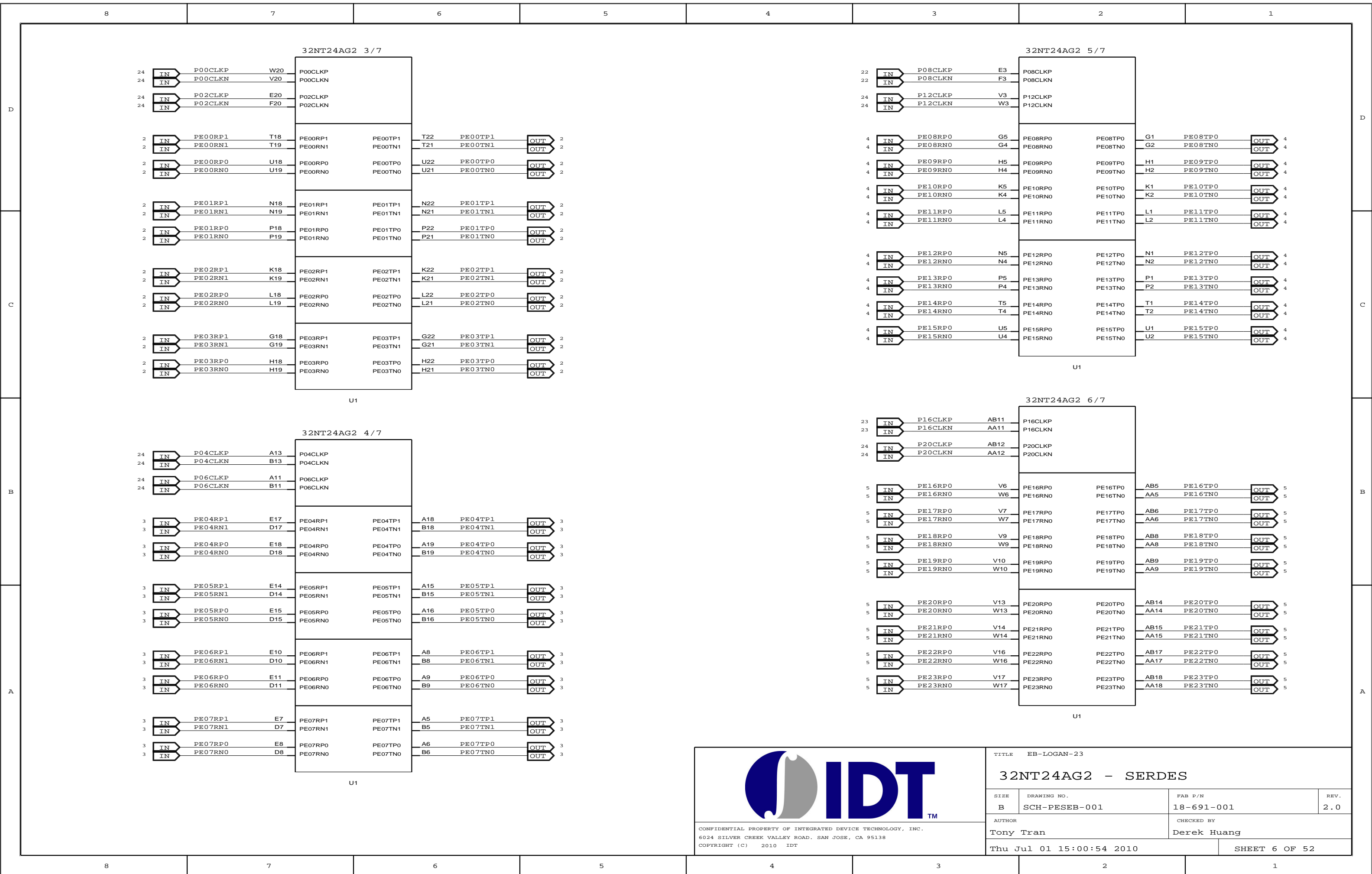
Thu Jul 01 15:00:53 2010 SHEET 4 OF 52




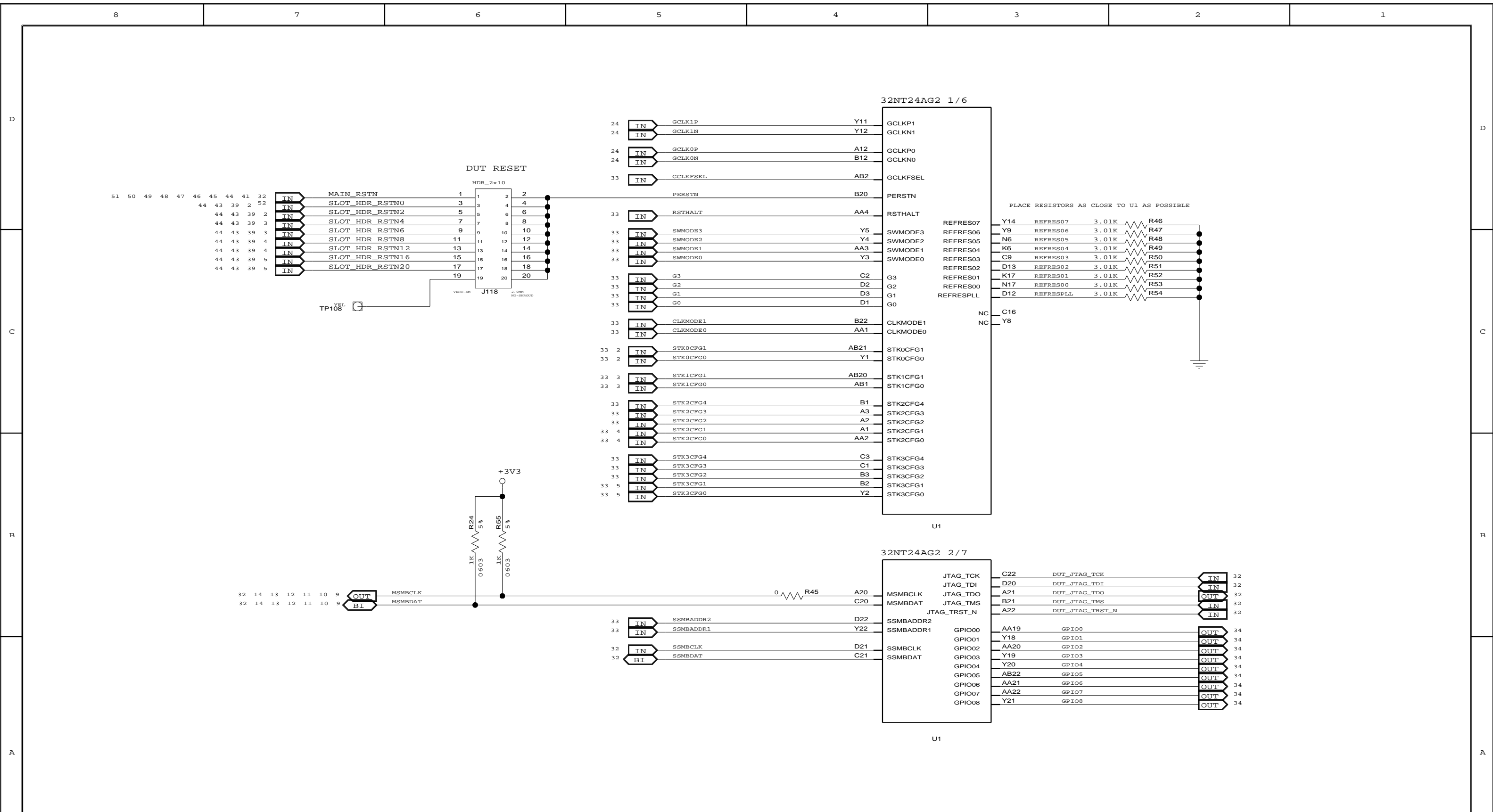
STK3CFG1 & STK3CFG0 SET BY MEZZ CARDS  
 X8 - STK3CFG1 = 0, STK3CFG0 = 0  
 X4 - STK3CFG1 = 0, STK3CFG0 = 1


				TITLE EB-LOGAN-23			
<b>MEZZANINE CONNECTOR PORTS 16/20</b>							
SIZE	DRAWING NO.	FAB P/N	REV.				
B	SCH-PESEB-001	18-691-001	2.0				
AUTHOR			CHECKED BY				
Tony Tran			Derek Huang				
Thu Jul 01 15:00:53 2010				SHEET 5 OF 52			

CONFIDENTIAL PROPERTY OF INTEGRATED DEVICE TECHNOLOGY, INC.  
 6024 SILVER CREEK VALLEY ROAD, SAN JOSE, CA 95138  
 COPYRIGHT (C) 2010 IDT



		TITLE EB-LOGAN-23	
		32NT24AG2 - SERDES	
SIZE B	DRAWING NO. SCH-PESEB-001	FAB P/N 18-691-001	REV. 2.0
AUTHOR Tony Tran		CHECKED BY Derek Huang	
CONFIDENTIAL PROPERTY OF INTEGRATED DEVICE TECHNOLOGY, INC. 6024 SILVER CREEK VALLEY ROAD. SAN JOSE, CA 95138 COPYRIGHT (C) 2010 IDT		Thu Jul 01 15:00:54 2010 SHEET 6 OF 52	



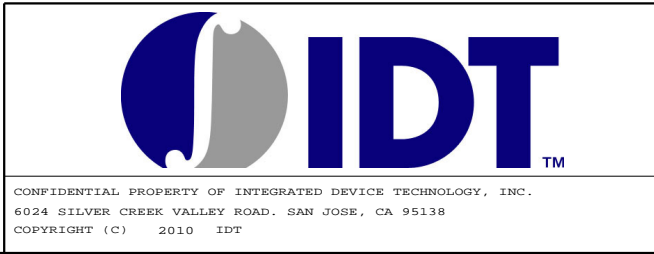
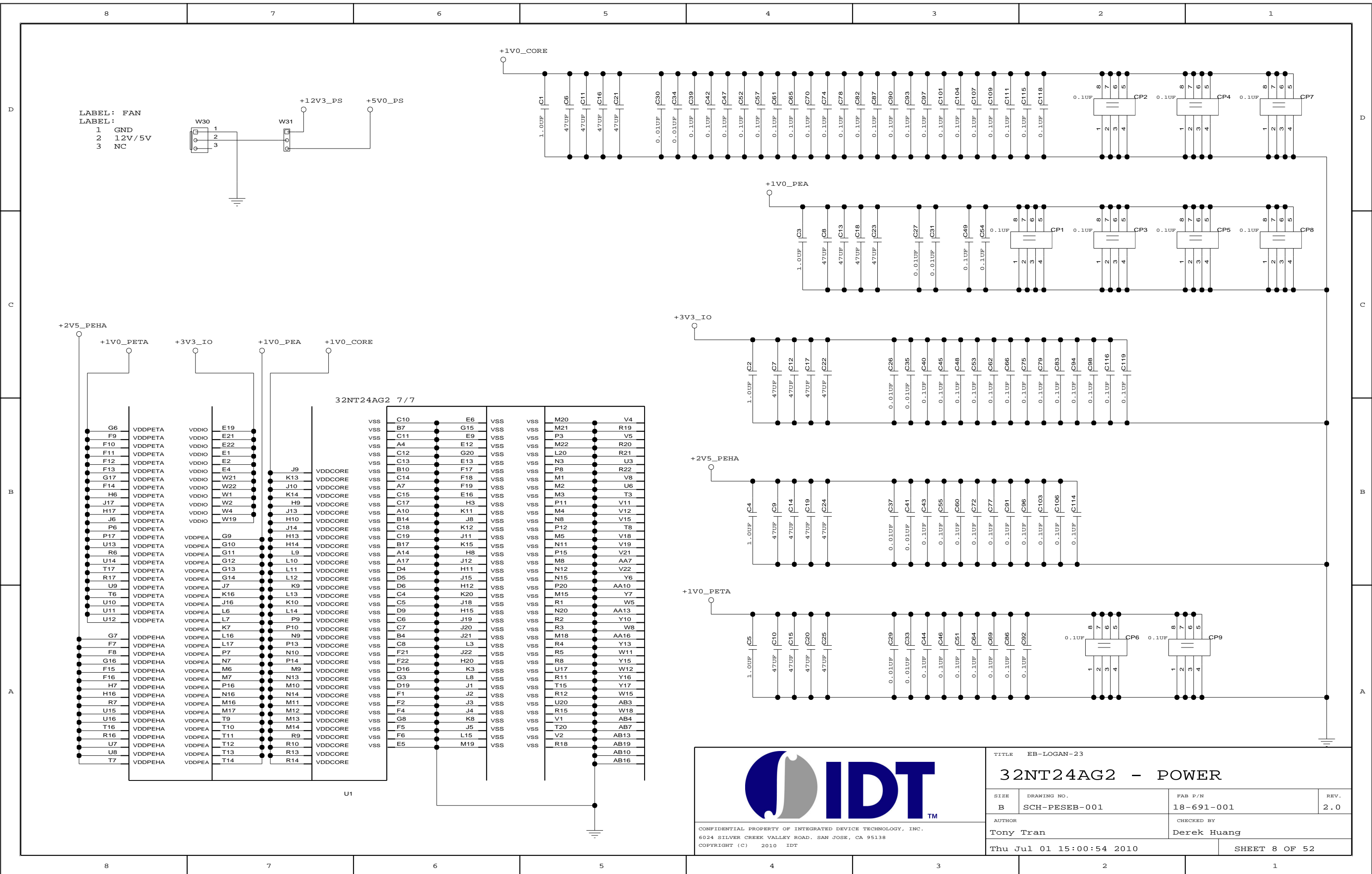


CONFIDENTIAL PROPERTY OF INTEGRATED DEVICE TECHNOLOGY, INC.  
 6024 SILVER CREEK VALLEY ROAD. SAN JOSE, CA 95138  
 COPYRIGHT (C) 2010 IDT

TITLE EB-LOGAN-23

**32NT24AG2 CLK, CONFIG, GPIO**

SIZE	DRAWING NO.	FAB P/N	REV.
B	SCH-PESEB-001	18-691-001	2.0
AUTHOR		CHECKED BY	
Tony Tran		Derek Huang	
Thu Jul 01 15:00:54 2010			SHEET 7 OF 52



TITLE EB-LOGAN-23			
32NT24AG2 - POWER			
SIZE	DRAWING NO.	FAB P/N	REV.
B	SCH-PESEB-001	18-691-001	2.0
AUTHOR		CHECKED BY	
Tony Tran		Derek Huang	
Thu Jul 01 15:00:54 2010			SHEET 8 OF 52



D

D

C

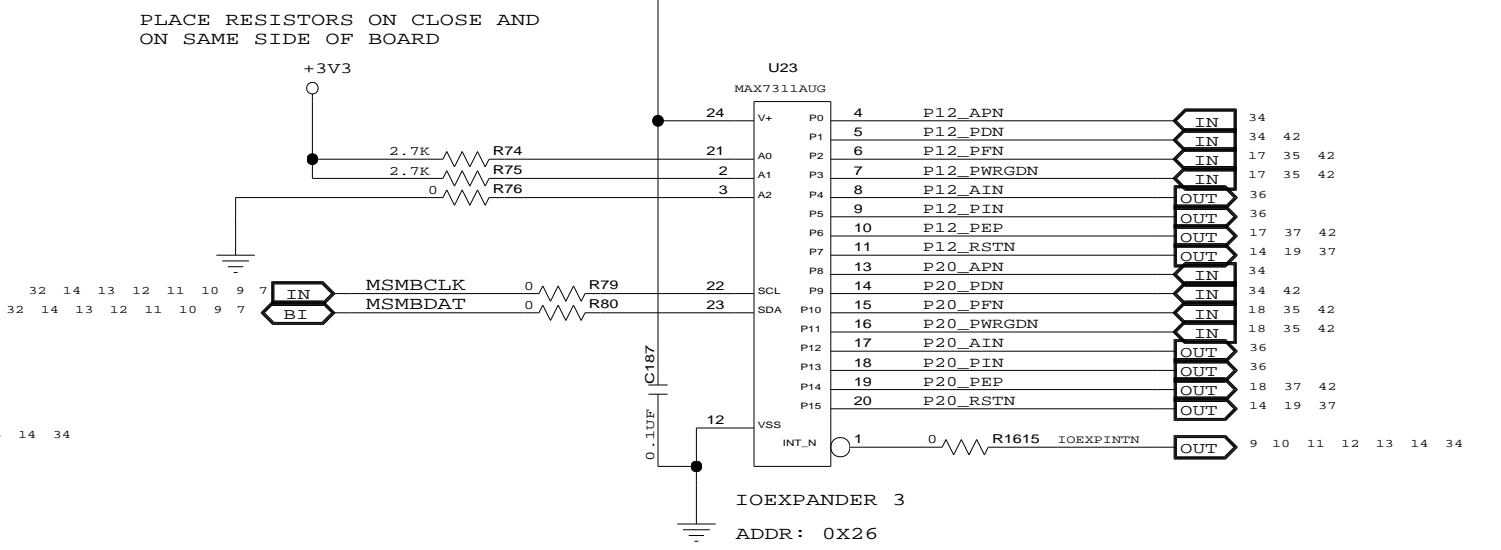
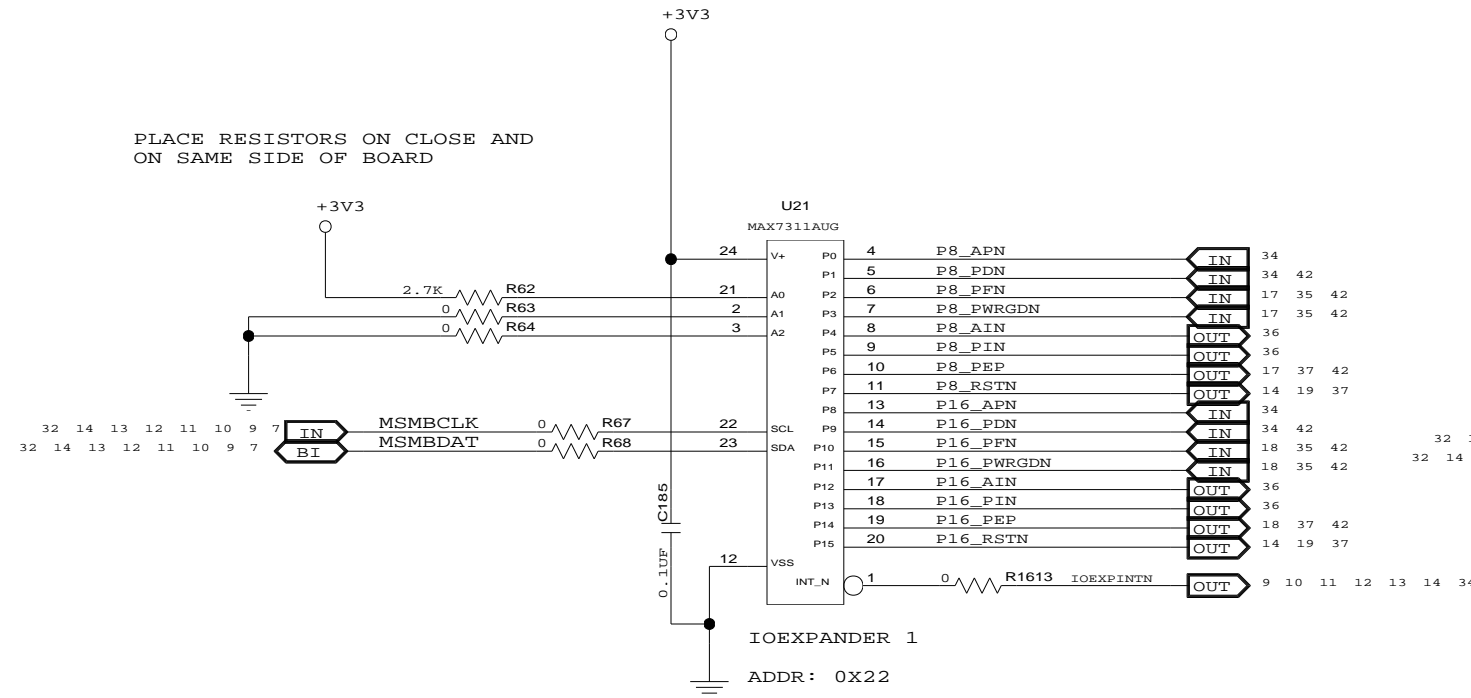
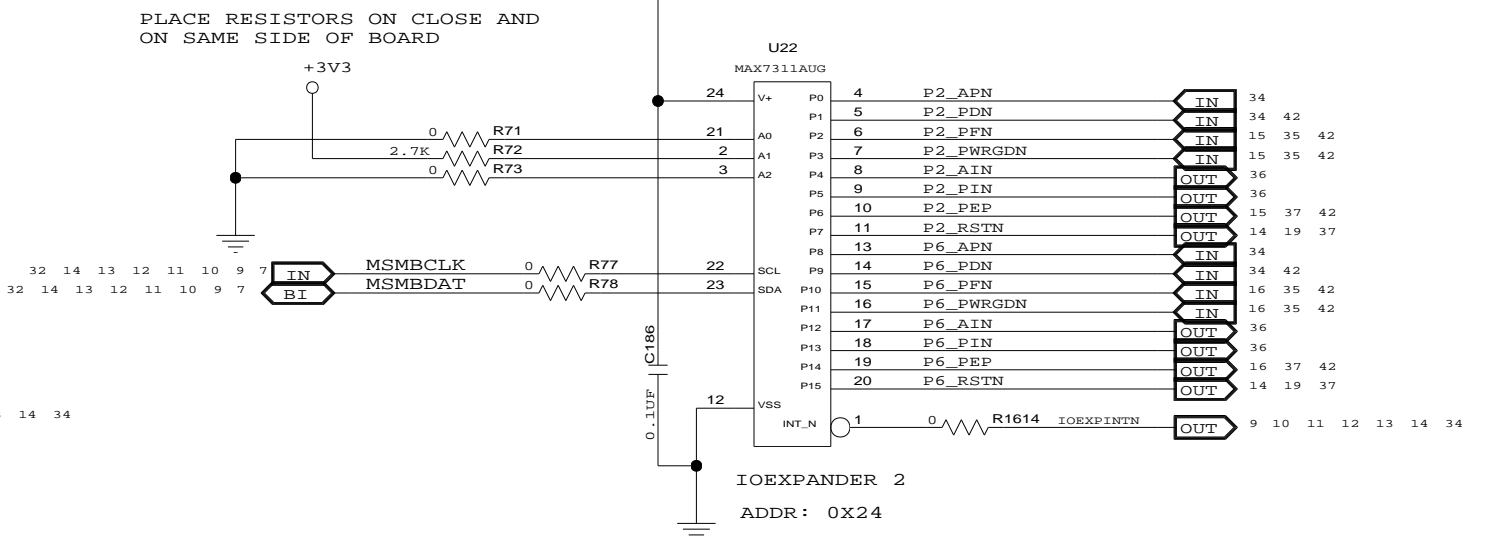
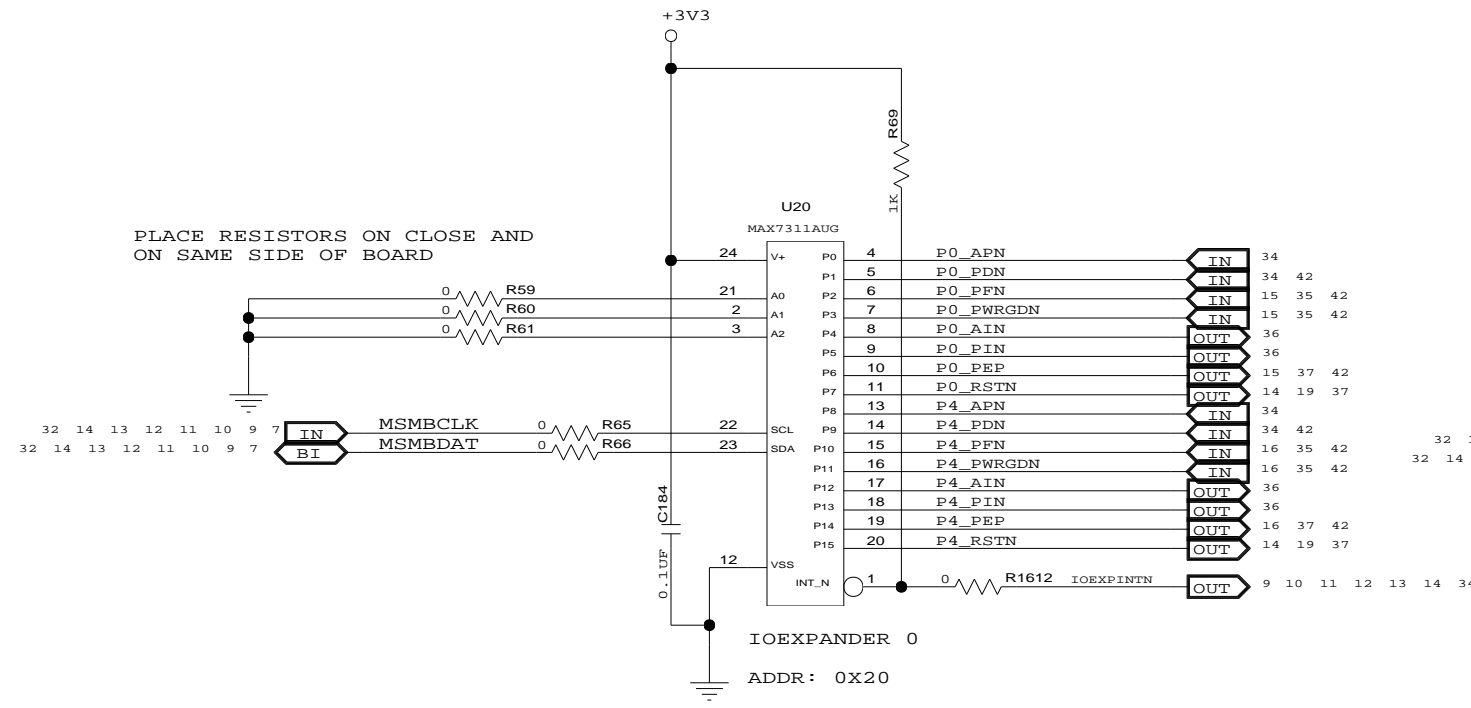
C


B

B

A

A



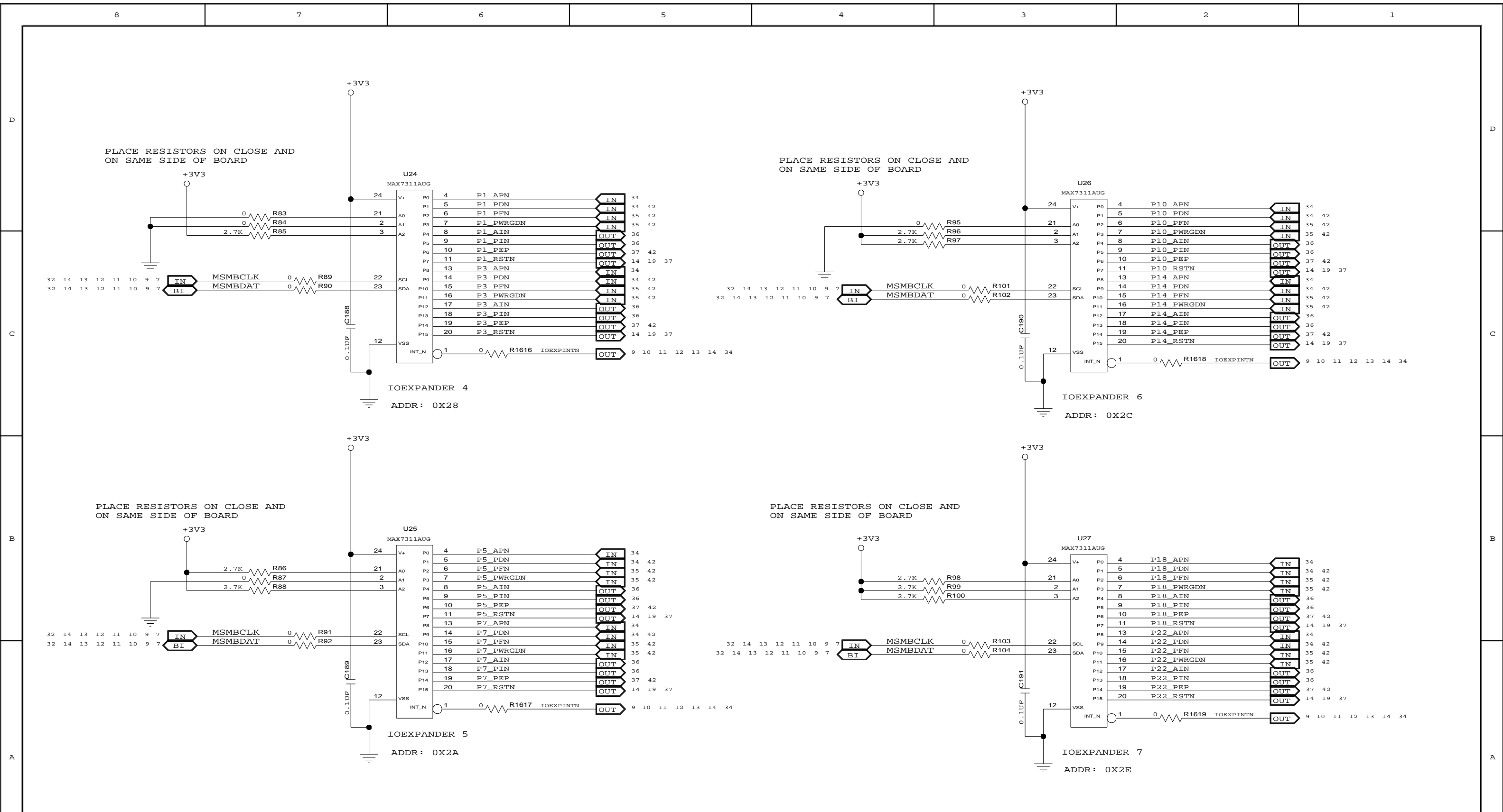



CONFIDENTIAL PROPERTY OF INTEGRATED DEVICE TECHNOLOGY, INC.  
6024 SILVER CREEK VALLEY ROAD. SAN JOSE, CA 95138  
COPYRIGHT (C) 2010 IDT

TITLE EB-LOGAN-23

## IOEXPANDER 0-3

SIZE	DRAWING NO.	FAB P/N	REV.
B	SCH-PESEB-001	18-691-001	2.0
AUTHOR		CHECKED BY	
Tony Tran		Derek Huang	
Thu Jul 01 15:00:55 2010			SHEET 9 OF 52





CONFIDENTIAL PROPERTY OF INTEGRATED DEVICE TECHNOLOGY, INC.  
6024 SILVER CREEK VALLEY ROAD, SAN JOSE, CA 95138  
COPYRIGHT (C) 2010 IDT

TITLE EB-LOGAN-23

## IOEXPANDER 4-7

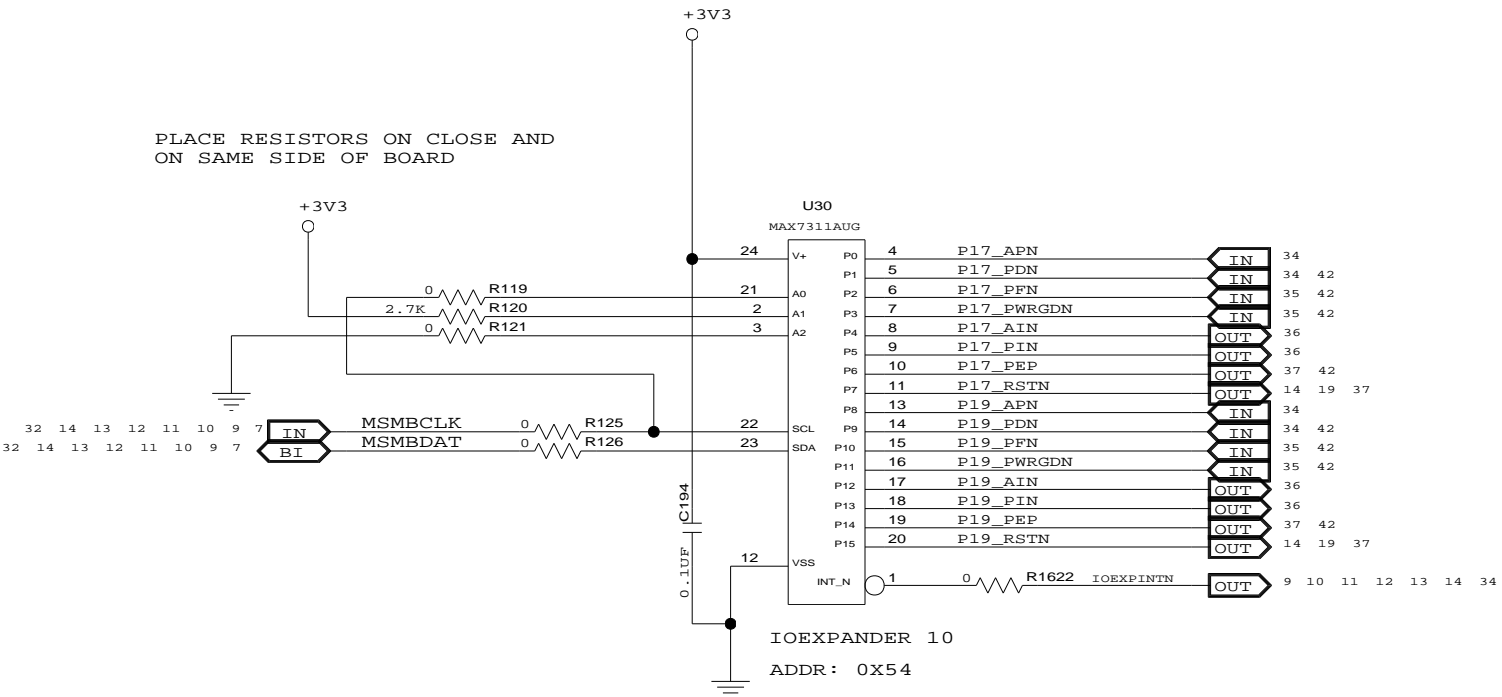
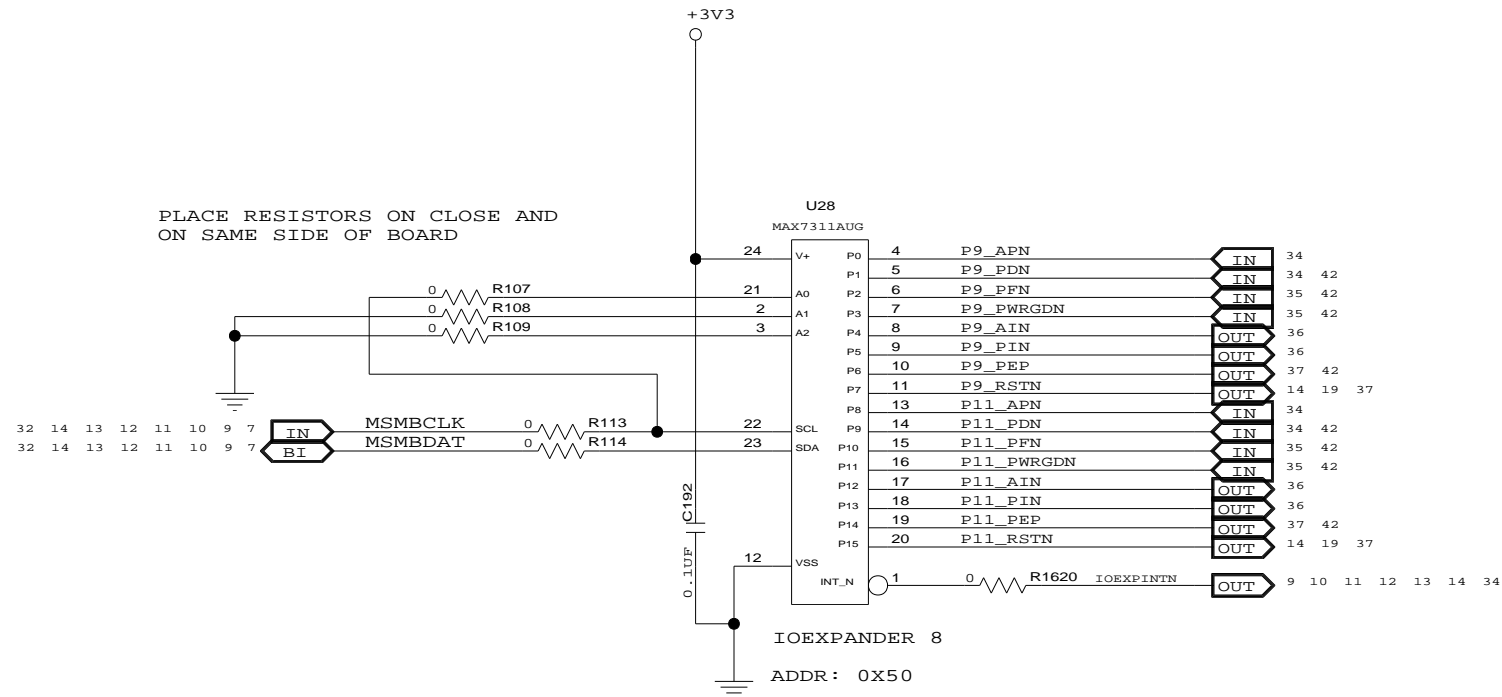
SIZE	DRAWING NO.	FAB P/N	REV.
B	SCH-PESEB-001	18-691-001	2.0
AUTHOR		CHECKED BY	
Tony Tran		Derek Huang	
Thu Jul 01 15:00:55 2010			SHEET 10 OF 52

D

D

PLACE RESISTORS ON CLOSE AND ON SAME SIDE OF BOARD

PLACE RESISTORS ON CLOSE AND ON SAME SIDE OF BOARD

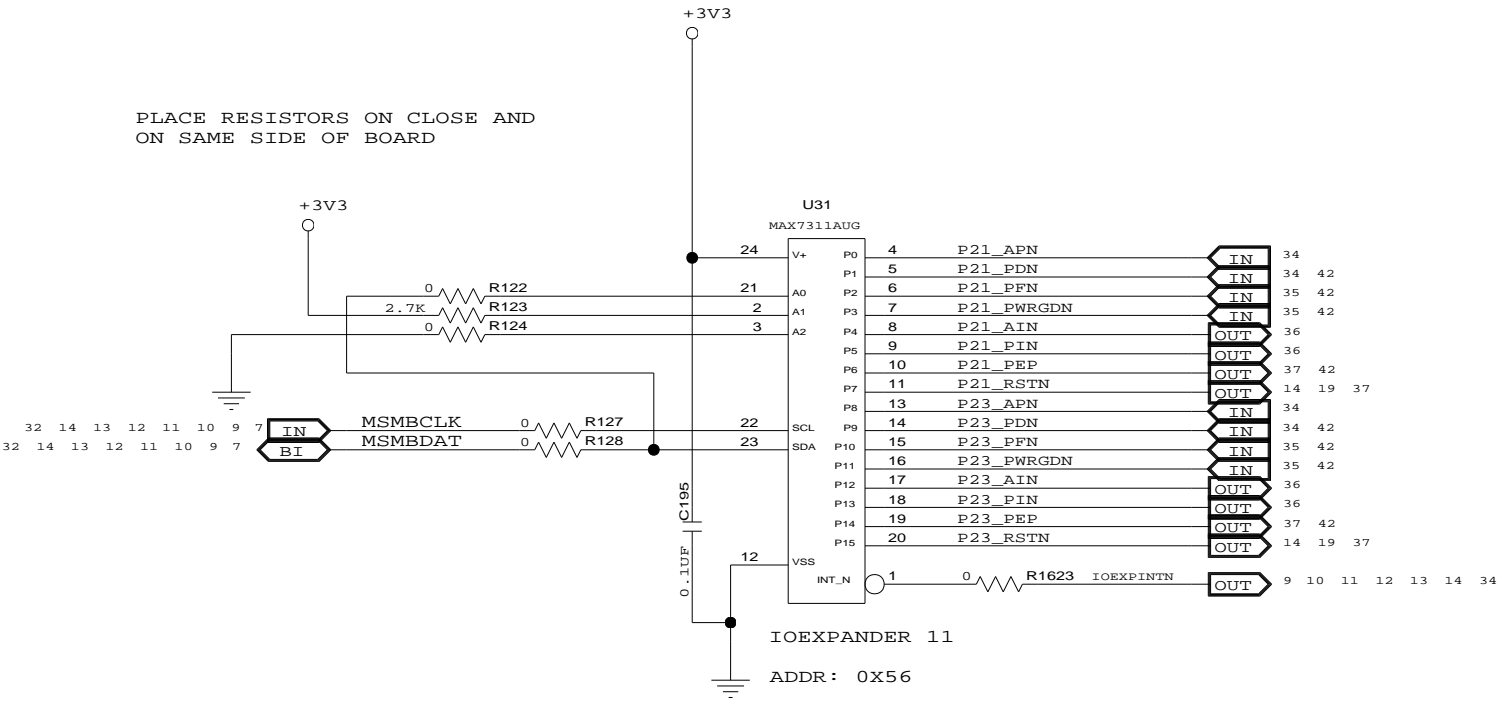
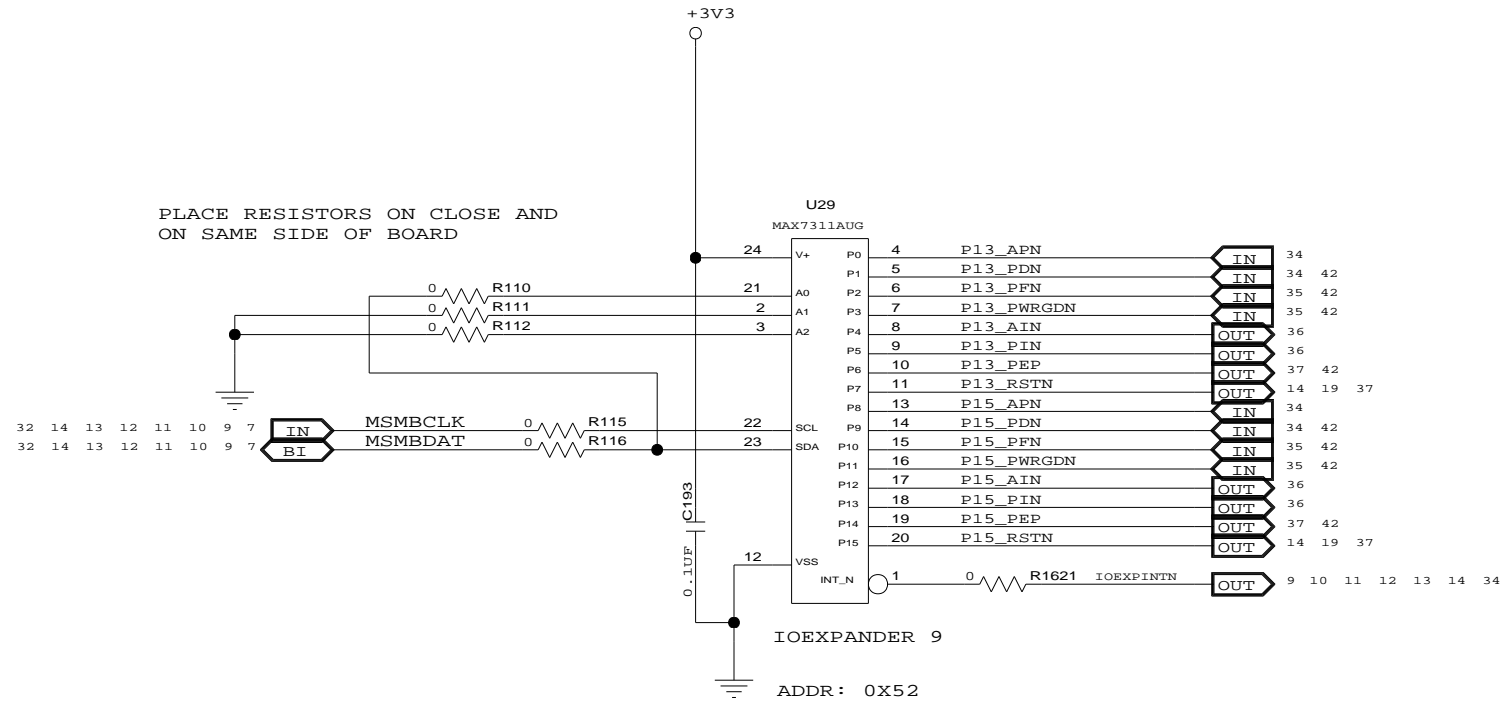


C

C

PLACE RESISTORS ON CLOSE AND ON SAME SIDE OF BOARD

PLACE RESISTORS ON CLOSE AND ON SAME SIDE OF BOARD

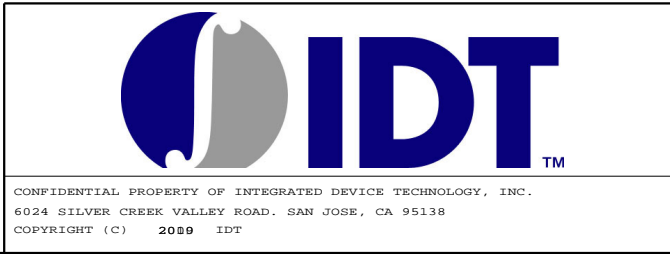


B

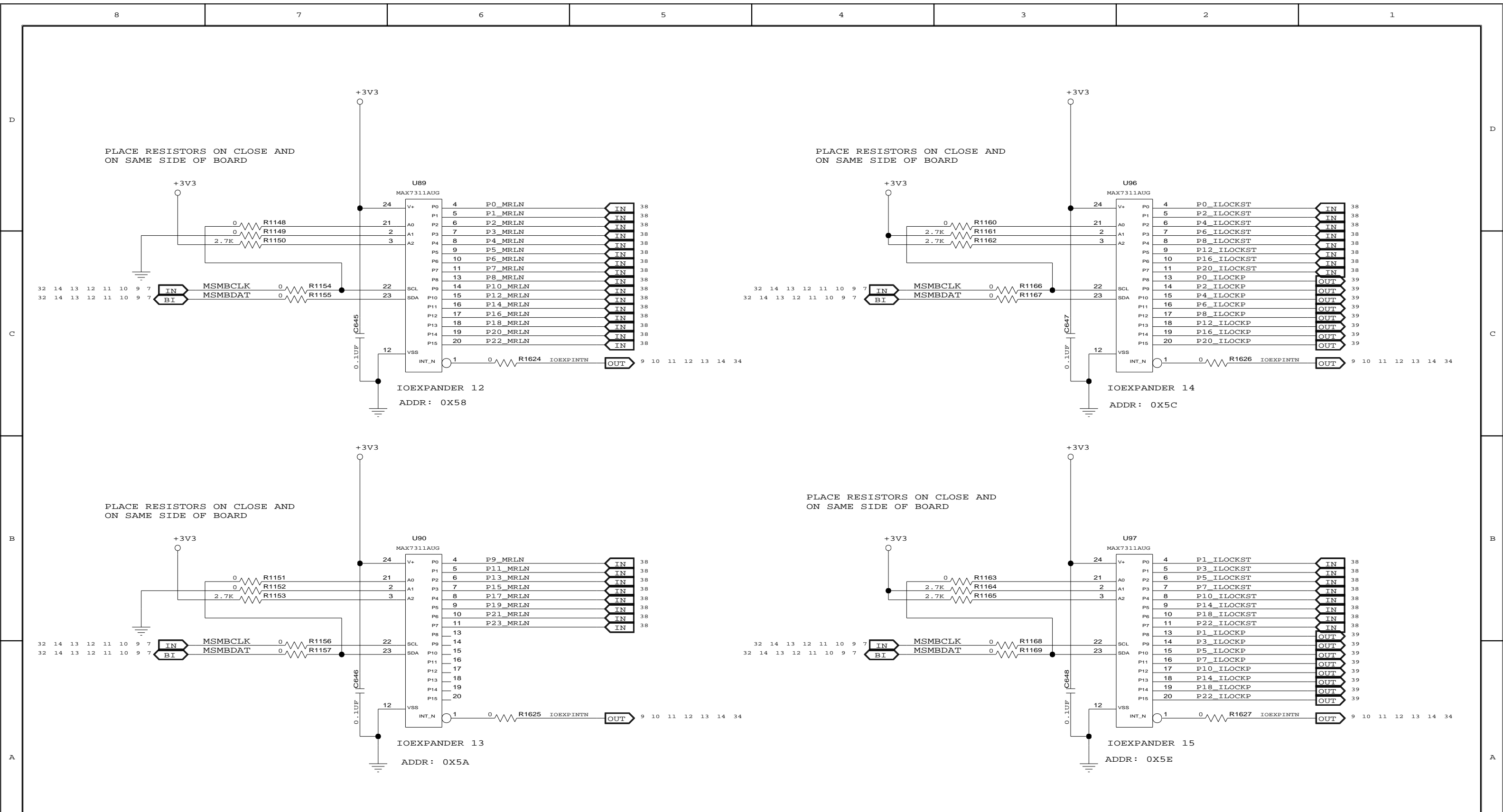
B


A

A



TITLE <b>EB9a0GWN123</b> ation Board			
<b>IOEXPANDER 8-11</b>			
SIZE	DRAWING NO.	FAB P/N	REV.
B	SCH-PESEB-001	18-691-001	2.0
AUTHOR		CHECKED BY	
Tony Tran		Derek Huang	
Thu Jul 01 15:00:55 2010			SHEET 11 OF 52





CONFIDENTIAL PROPERTY OF INTEGRATED DEVICE TECHNOLOGY, INC.  
6024 SILVER CREEK VALLEY ROAD. SAN JOSE, CA 95138  
COPYRIGHT (C) 2010 IDT

TITLE EB-LOGAN-23

## IOEXPANDER 12-15

SIZE	DRAWING NO.	FAB P/N	REV.
B	SCH-PESEB-001	18-691-001	2.0
AUTHOR		CHECKED BY	
Tony Tran		Derek Huang	
Thu Jul 01 15:00:55 2010			SHEET 12 OF 52

D

D

C

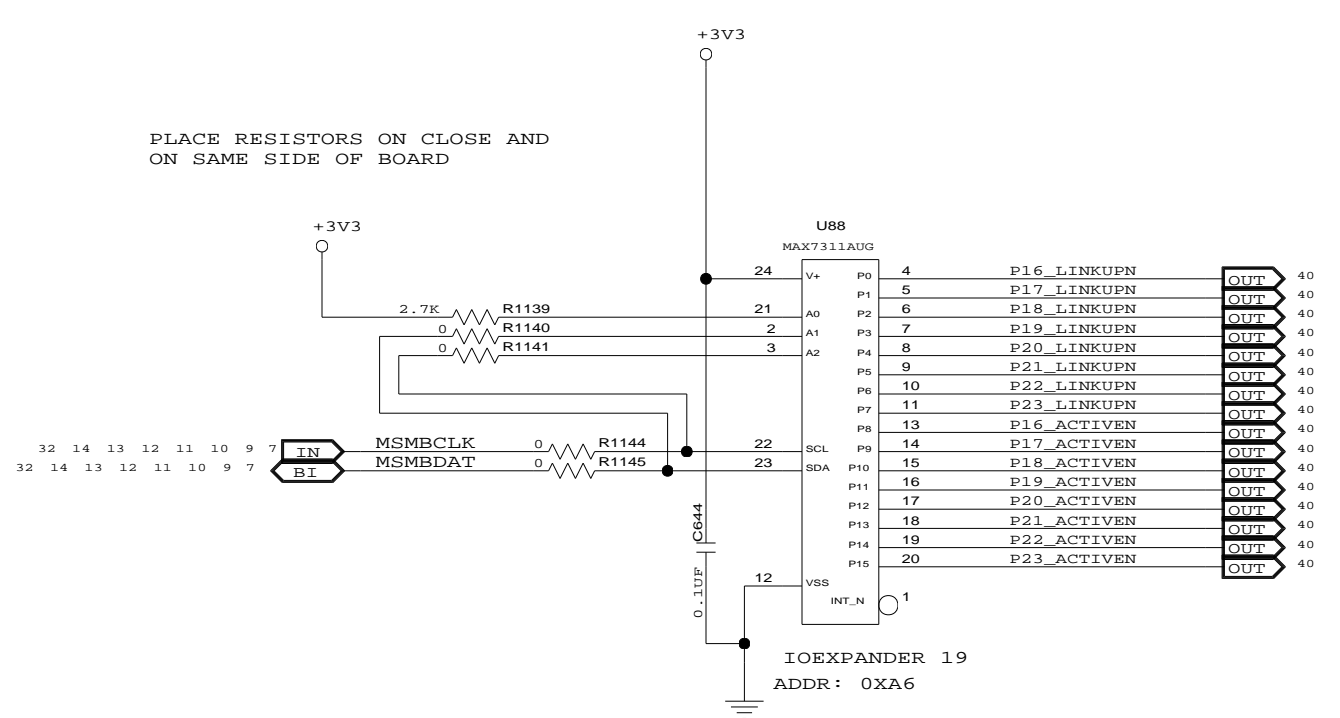
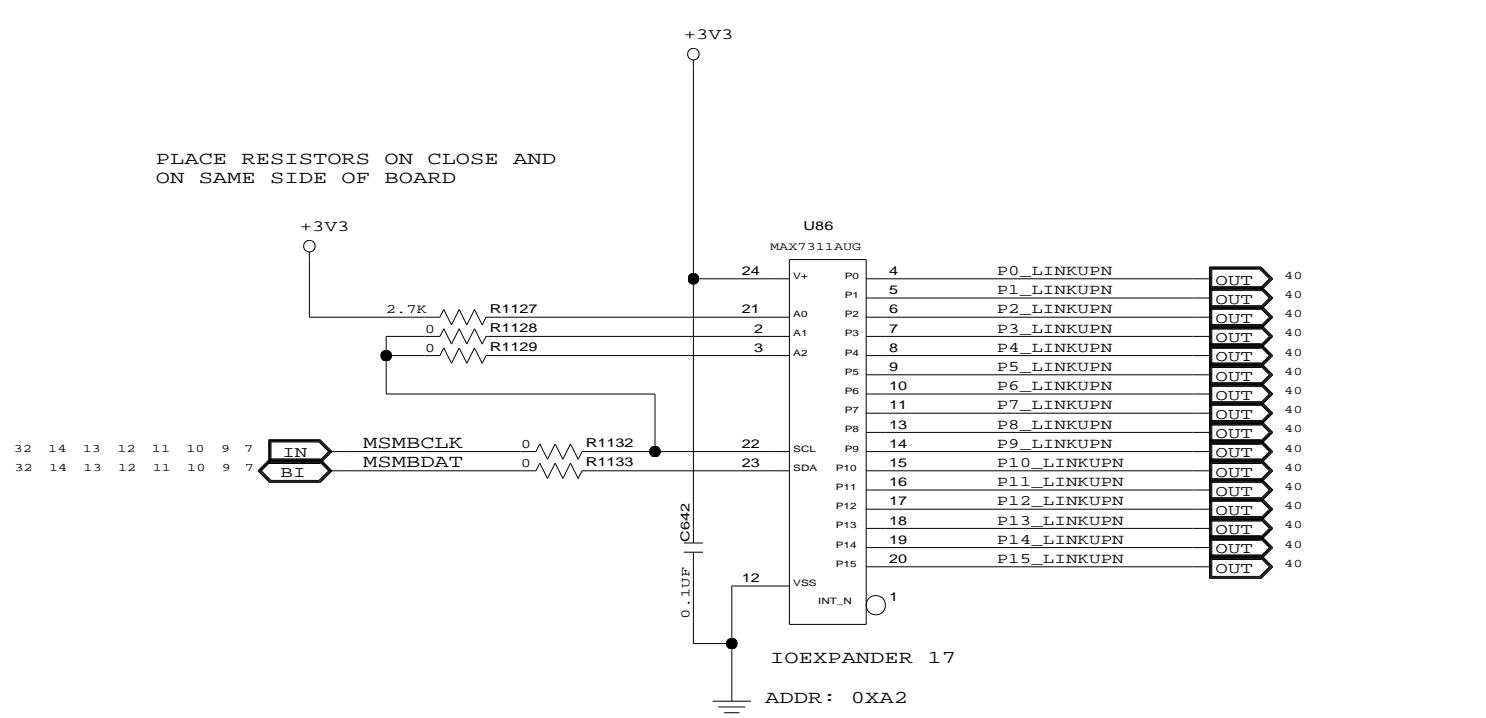
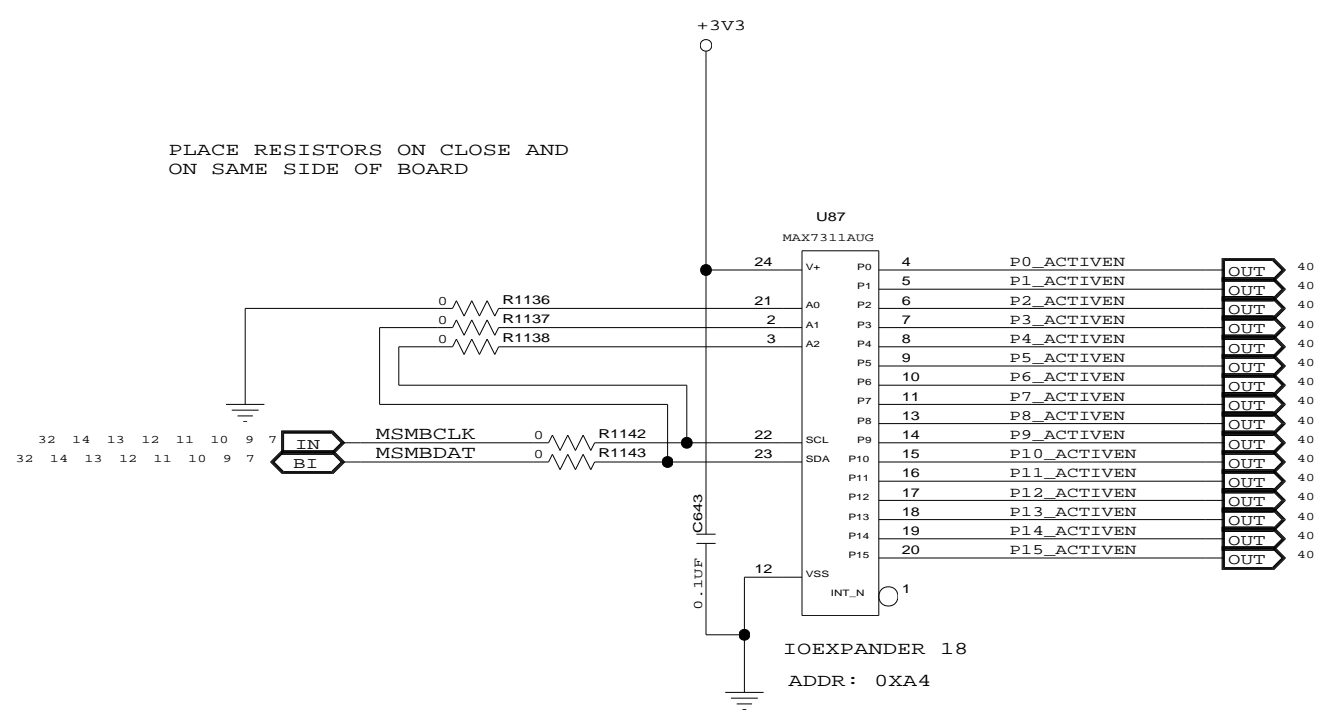
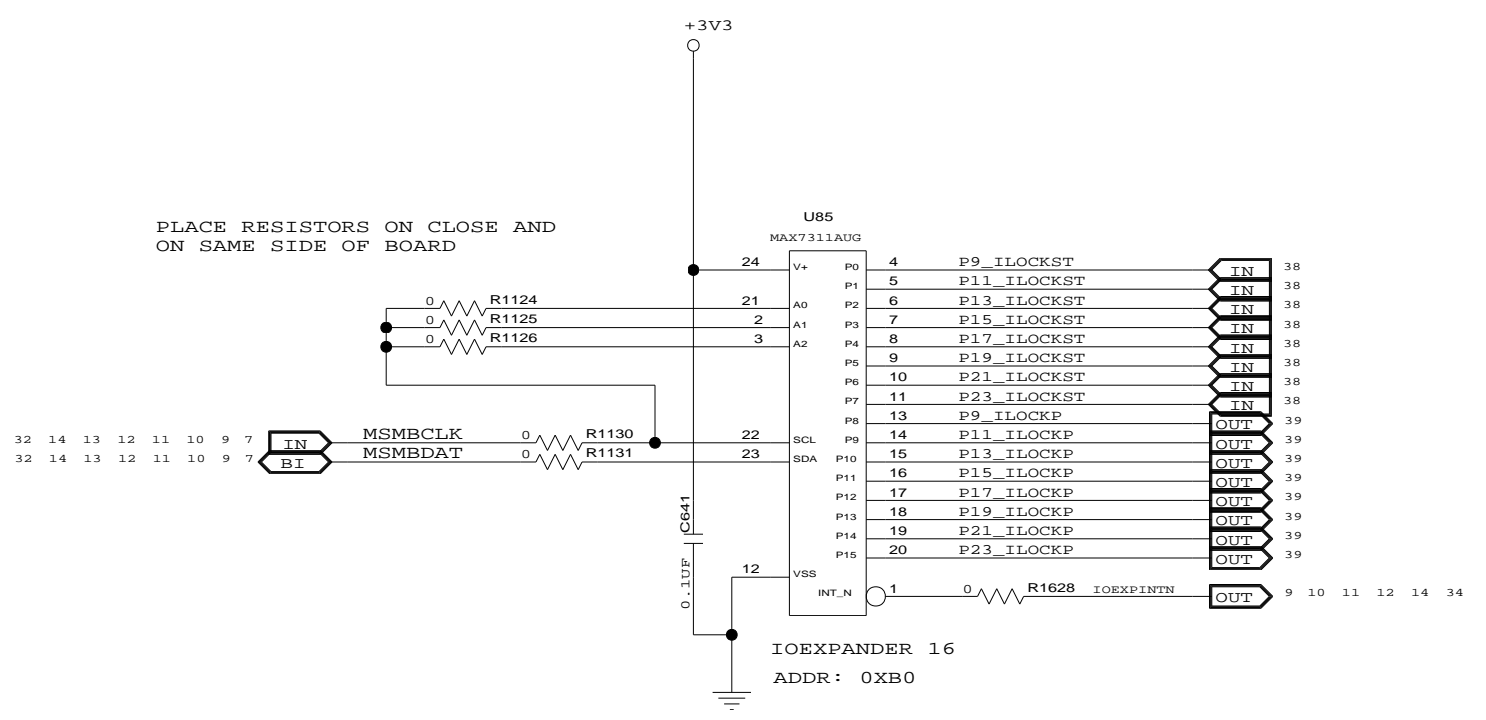
C


B

B

A

A





CONFIDENTIAL PROPERTY OF INTEGRATED DEVICE TECHNOLOGY, INC.  
6024 SILVER CREEK VALLEY ROAD. SAN JOSE, CA 95138  
COPYRIGHT (C) 2010 IDT

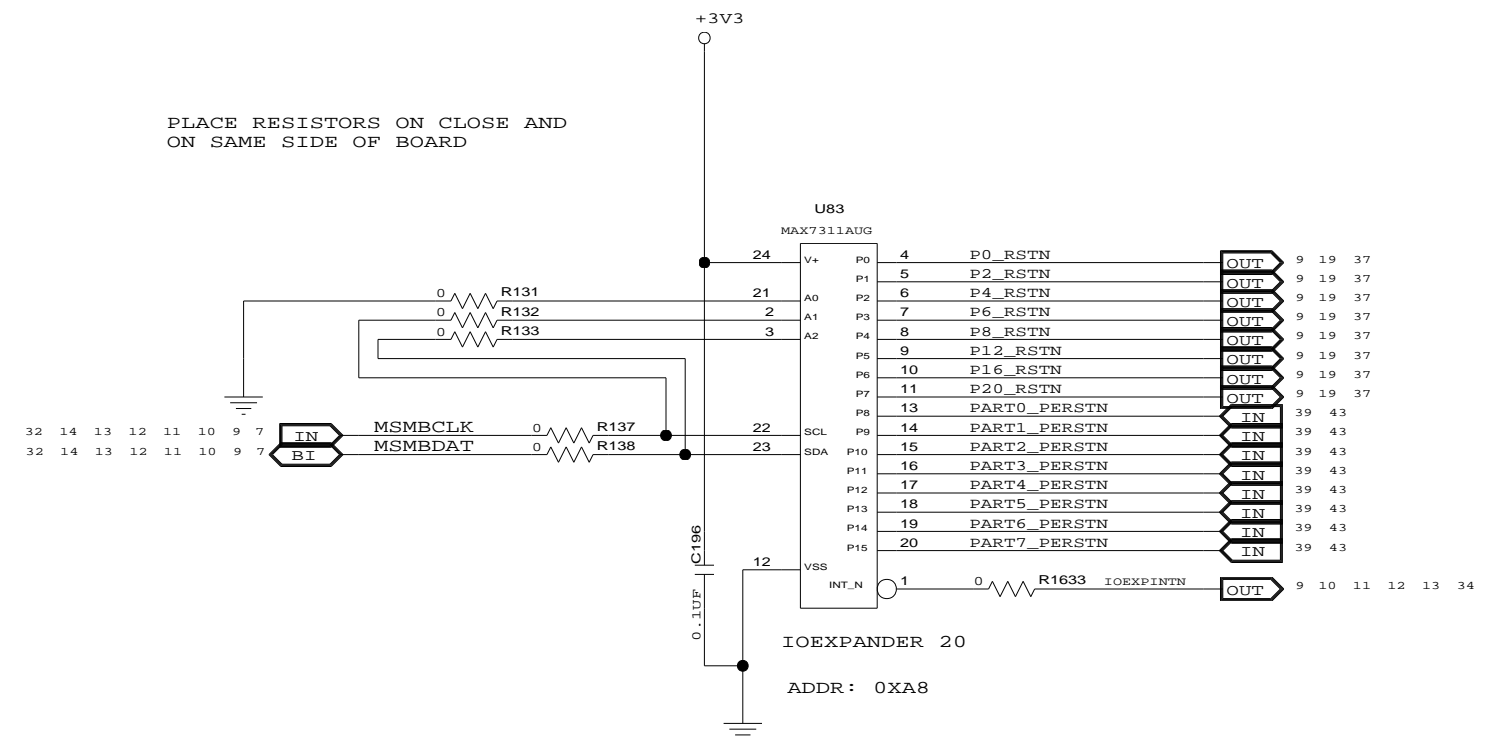
TITLE EB-LOGAN-23

## IOEXPANDER 16-19

SIZE	DRAWING NO.	FAB P/N	REV.
B	SCH-PESEB-001	18-691-001	2.0
AUTHOR		CHECKED BY	
Tony Tran		Derek Huang	
Thu Jul 01 15:00:56 2010			SHEET 13 OF 52

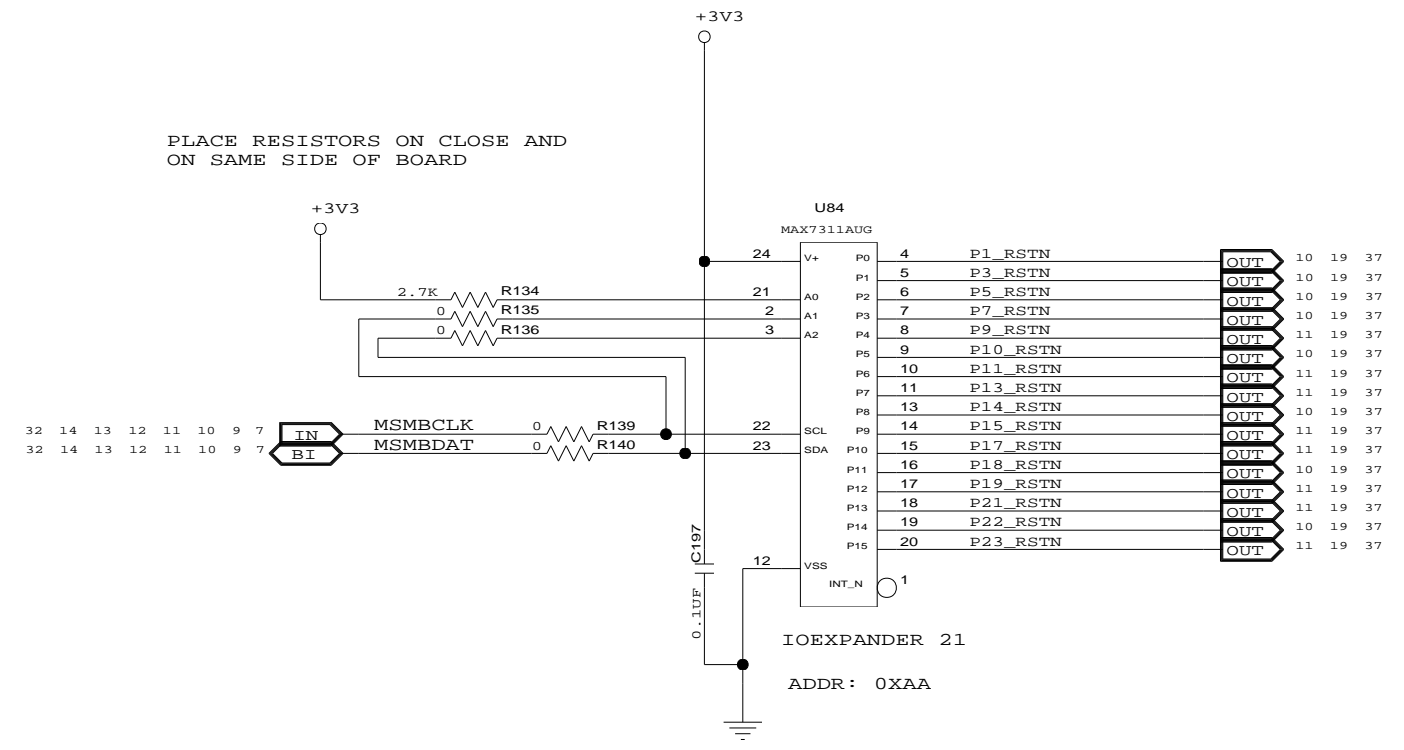
D

PLACE RESISTORS ON CLOSE AND ON SAME SIDE OF BOARD




C

PLACE RESISTORS ON CLOSE AND ON SAME SIDE OF BOARD

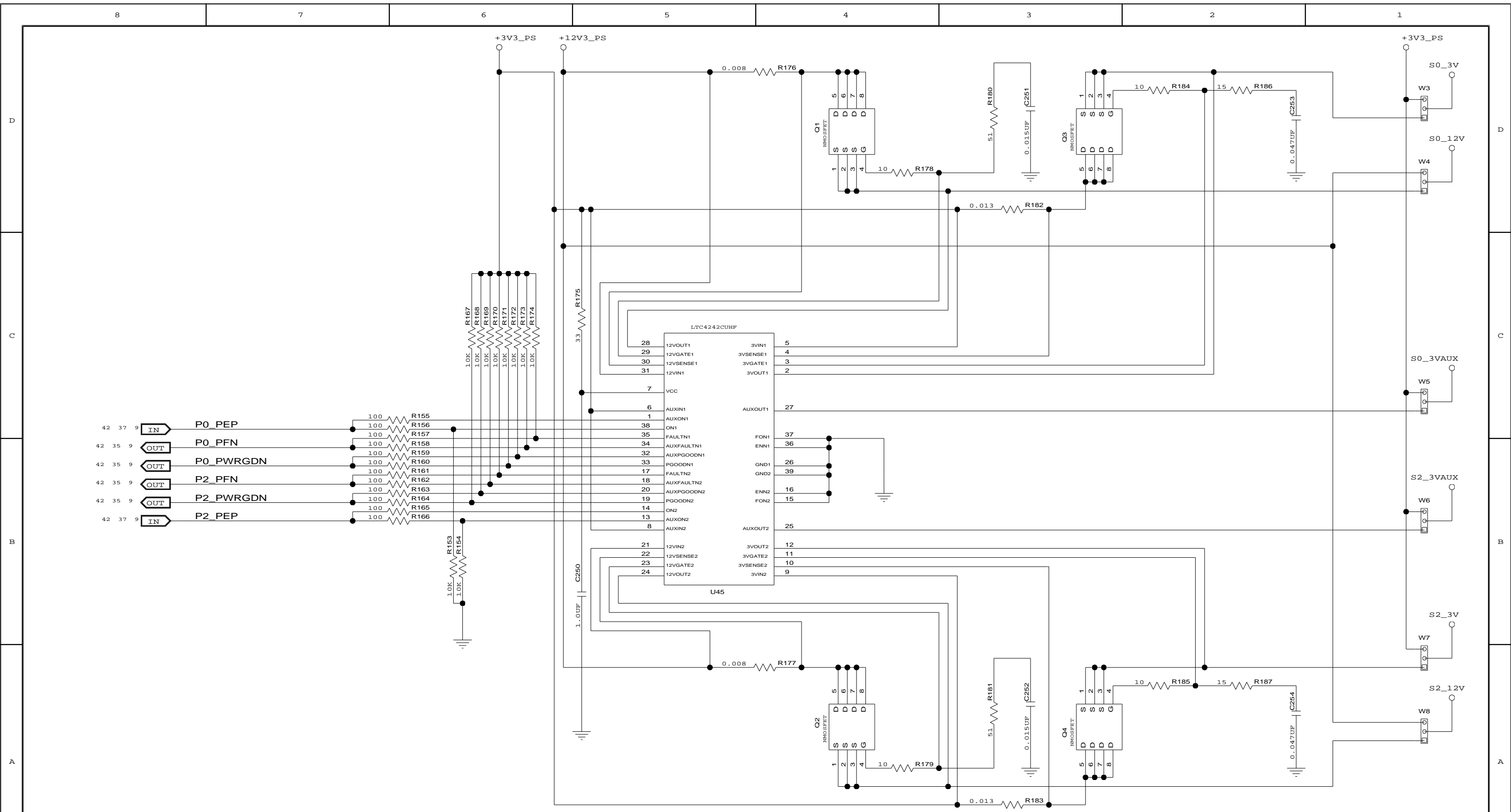



B

A

		TITLE EB-LOGAN-23	
		IOEXPANDER 20-21	
SIZE	DRAWING NO.	FAB P/N	REV.
B	SCH-PESEB-001	18-691-001	2.0
AUTHOR		CHECKED BY	
Tony Tran		Derek Huang	
Thu Jul 01 15:00:56 2010			SHEET 14 OF 52

CONFIDENTIAL PROPERTY OF INTEGRATED DEVICE TECHNOLOGY, INC.  
6024 SILVER CREEK VALLEY ROAD. SAN JOSE, CA 95138  
COPYRIGHT (C) 2010 IDT



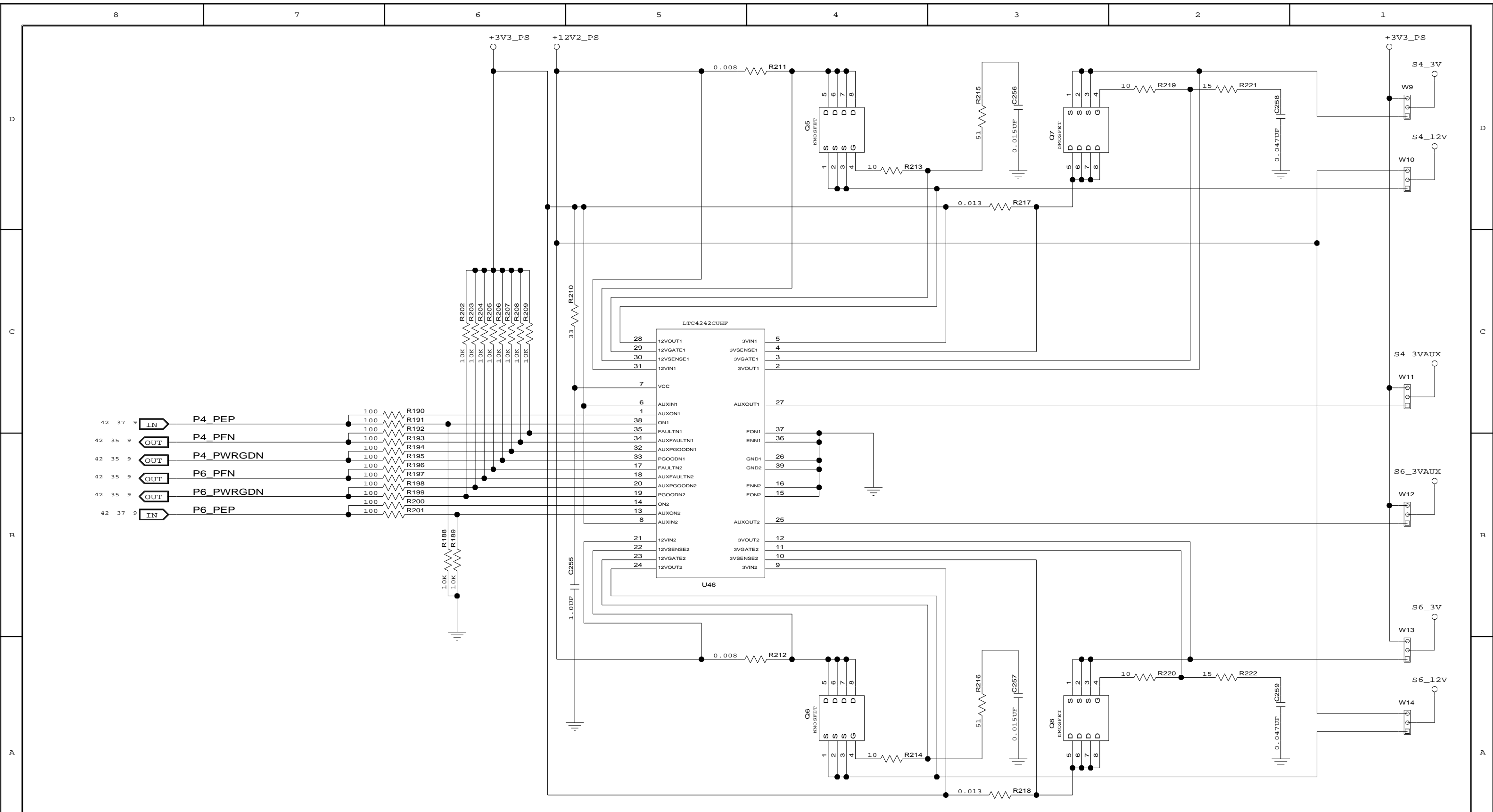



CONFIDENTIAL PROPERTY OF INTEGRATED DEVICE TECHNOLOGY, INC.  
6024 SILVER CREEK VALLEY ROAD. SAN JOSE, CA 95138  
COPYRIGHT (C) 2010 IDT

TITLE EB-LOGAN-23

**HOT PLUG CONTROL PORTS 0-2**

SIZE	DRAWING NO.	FAB P/N	REV.
B	SCH-PESEB-001	18-691-001	2.0
AUTHOR		CHECKED BY	
Tony Tran		Derek Huang	
Thu Jul 01 15:00:56 2010			SHEET 15 OF 52





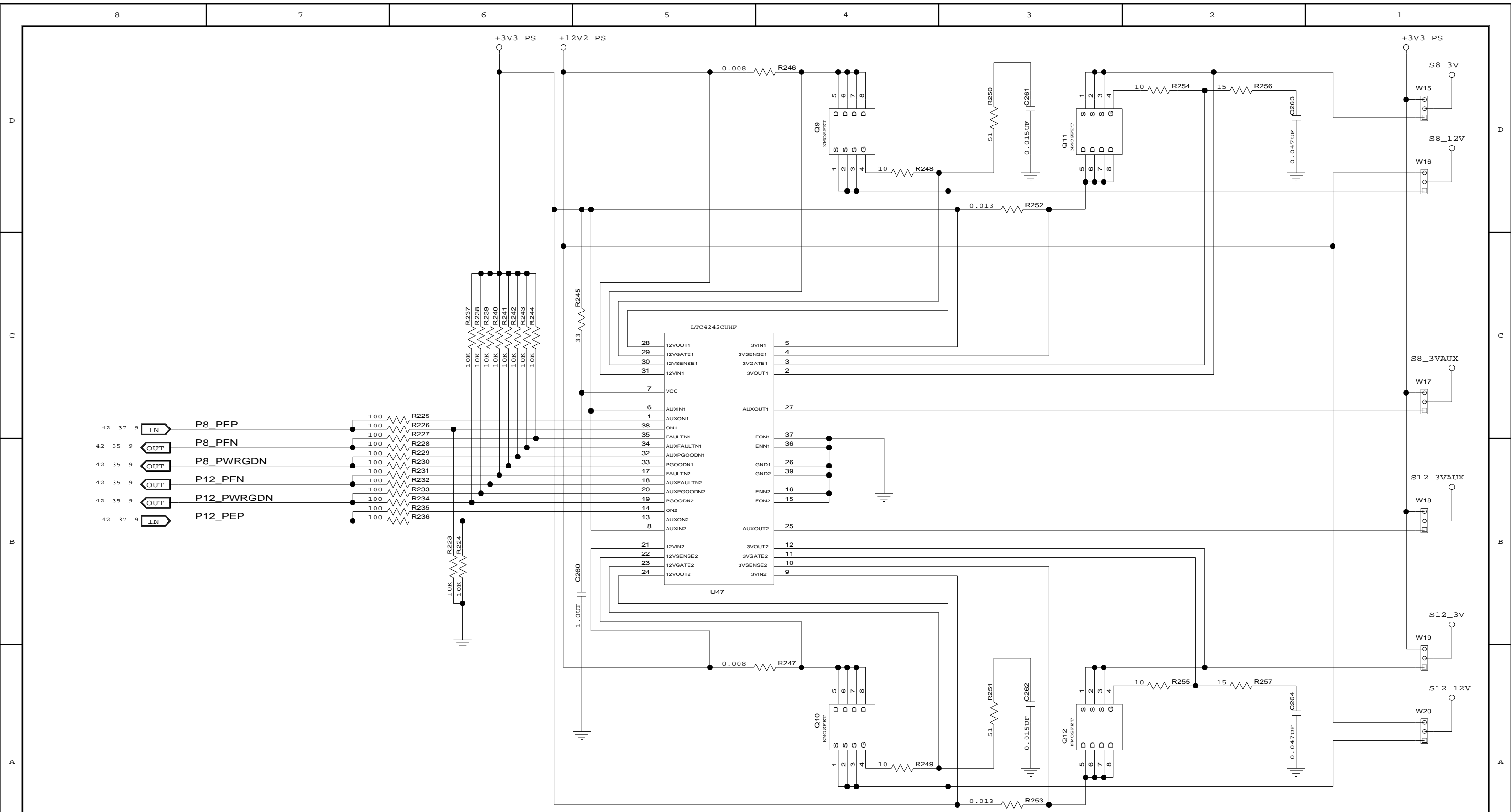

CONFIDENTIAL PROPERTY OF INTEGRATED DEVICE TECHNOLOGY, INC.  
6024 SILVER CREEK VALLEY ROAD. SAN JOSE, CA 95138  
COPYRIGHT (C) 2010 IDT

TITLE EB-LOGAN-23

**HOT PLUG CONTROL PORTS 4-6**

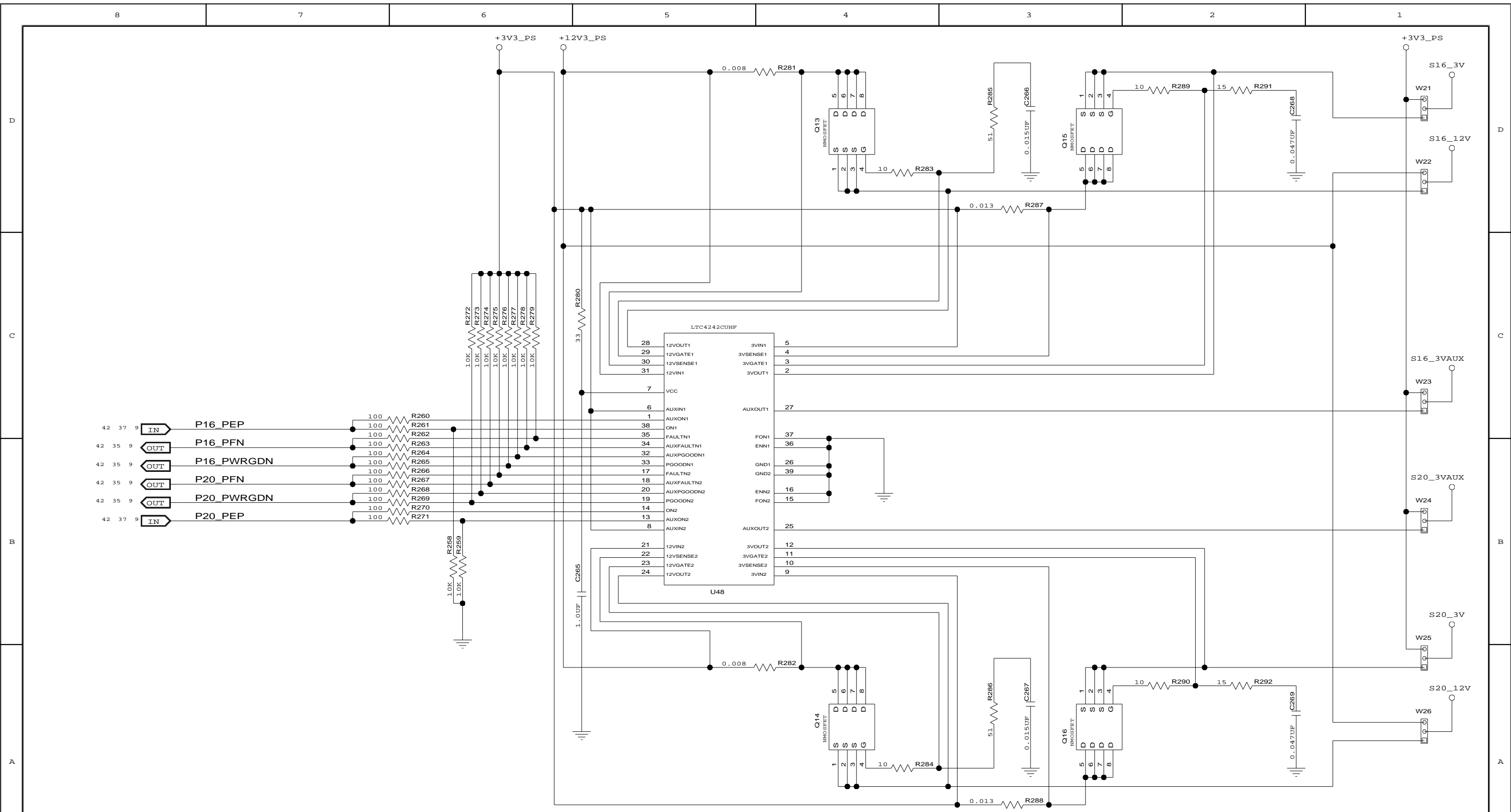
SIZE	DRAWING NO.	FAB P/N	REV.
B	SCH-PESEB-001	18-691-001	2.0
AUTHOR		CHECKED BY	
Tony Tran		Derek Huang	
Thu Jul 01 15:00:57 2010			SHEET 16 OF 52




CONFIDENTIAL PROPERTY OF INTEGRATED DEVICE TECHNOLOGY, INC.  
 6024 SILVER CREEK VALLEY ROAD. SAN JOSE, CA 95138  
 COPYRIGHT (C) 2010 IDT

TITLE EB-LOGAN-23			
HOT PLUG CONTROL PORTS 8-12			
SIZE	DRAWING NO.	FAB P/N	REV.
B	SCH-PESEB-001	18-691-001	2.0
AUTHOR		CHECKED BY	
Tony Tran		Derek Huang	
Thu Jul 01 15:00:57 2010			SHEET 17 OF 52



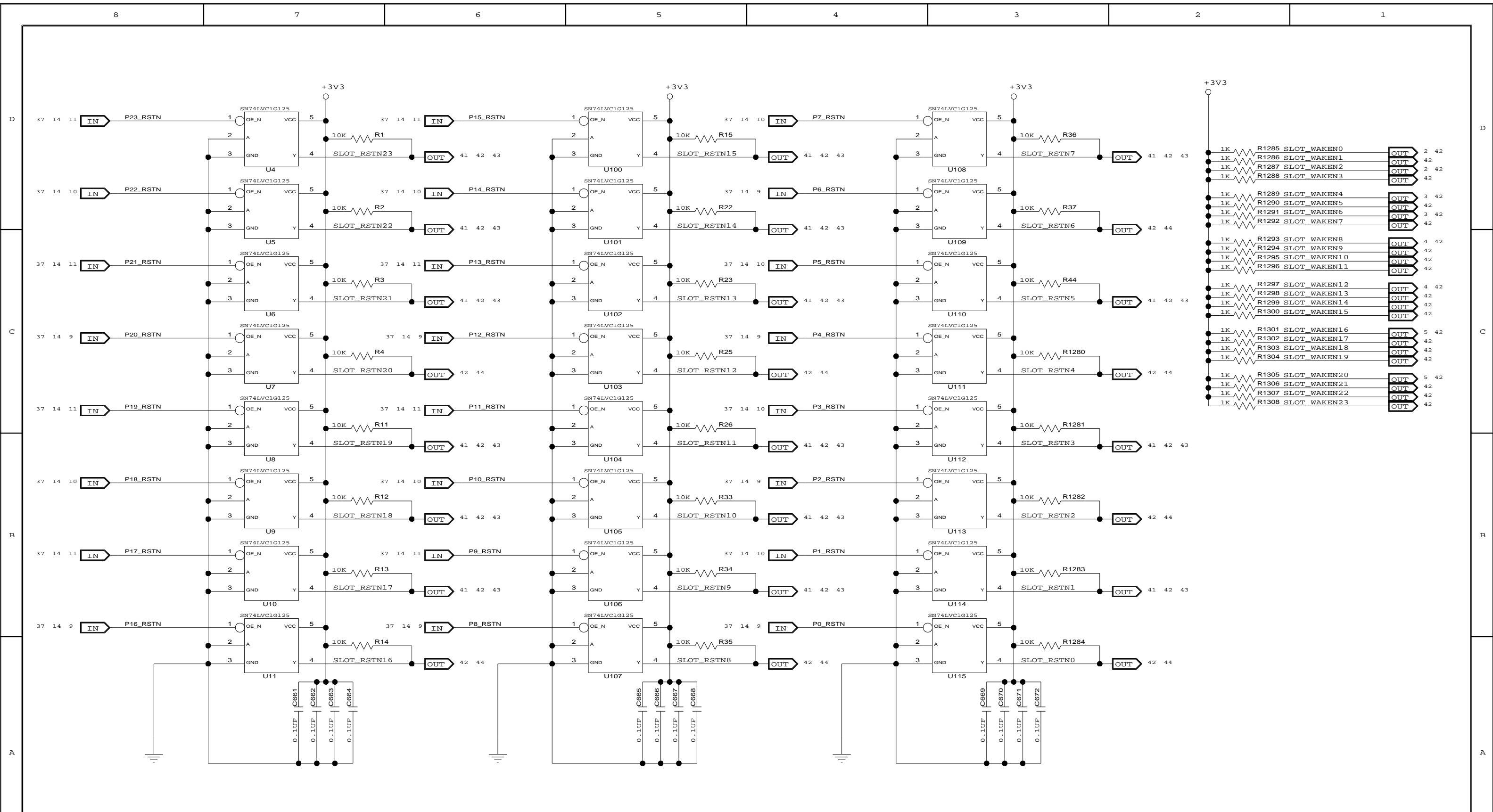



CONFIDENTIAL PROPERTY OF INTEGRATED DEVICE TECHNOLOGY, INC.  
6024 SILVER CREEK VALLEY ROAD, SAN JOSE, CA 95138  
COPYRIGHT (C) 2010 IDT

TITLE EB-LOGAN-23

**HOT PLUG CONTROL PORTS 16-20**

SIZE	DRAWING NO.	FAB P/N	REV.
B	SCH-PESEB-001	18-691-001	2.0
AUTHOR Tony Tran		CHECKED BY Derek Huang	
Thu Jul 01 15:00:57 2010			SHEET 18 OF 52



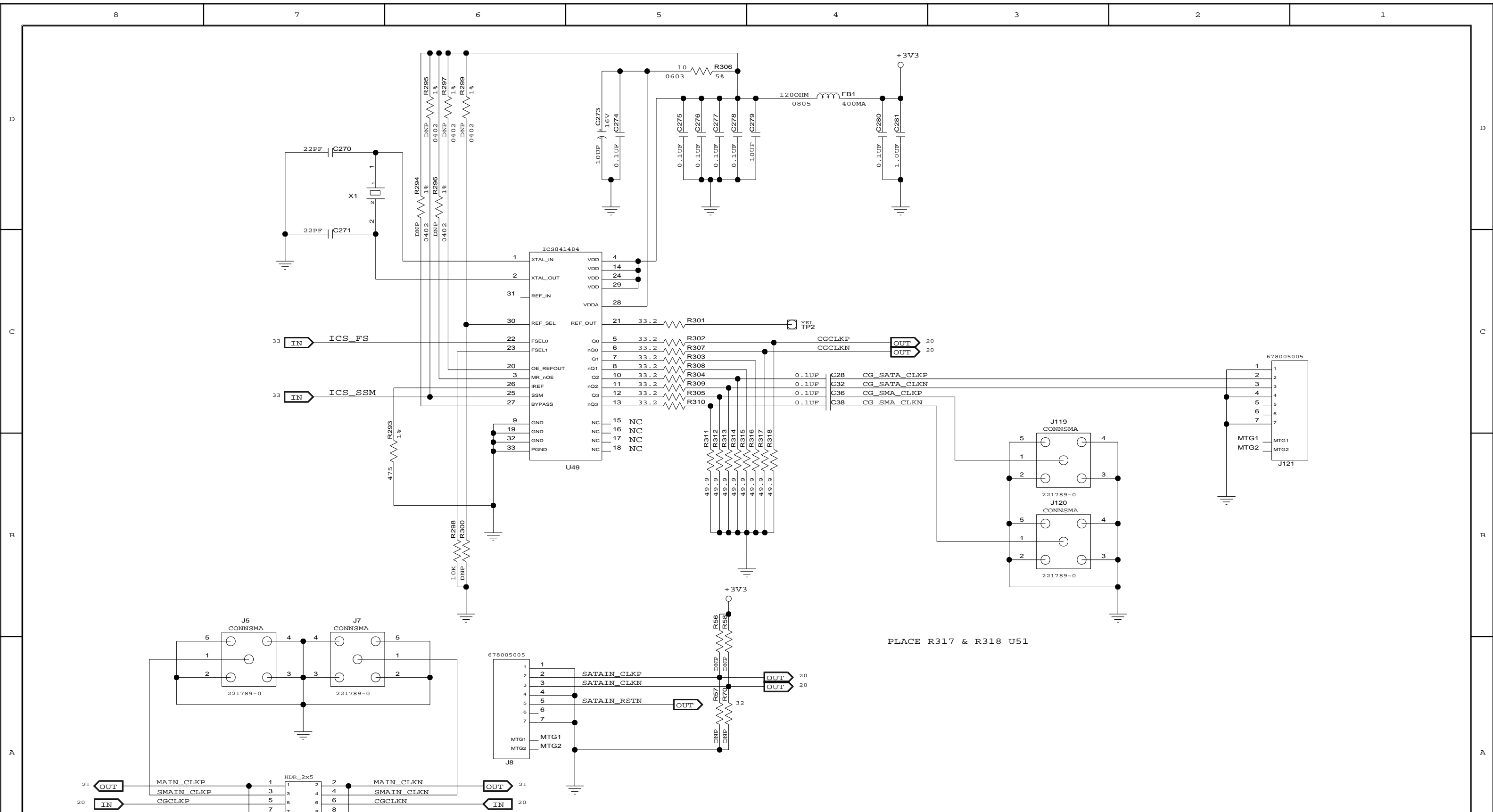


CONFIDENTIAL PROPERTY OF INTEGRATED DEVICE TECHNOLOGY, INC.  
6024 SILVER CREEK VALLEY ROAD, SAN JOSE, CA 95138  
COPYRIGHT (C) 2010 IDT

TITLE EB-LOGAN-23


**SLOT RESETS AND WAKE PULL-UPS**

SIZE	DRAWING NO.	FAB P/N	REV.
B	SCH-PESEB-001	18-691-001	2.0
AUTHOR		CHECKED BY	
Tony Tran		Derek Huang	
Thu Jul 01 15:00:57 2010			SHEET 19 OF 52



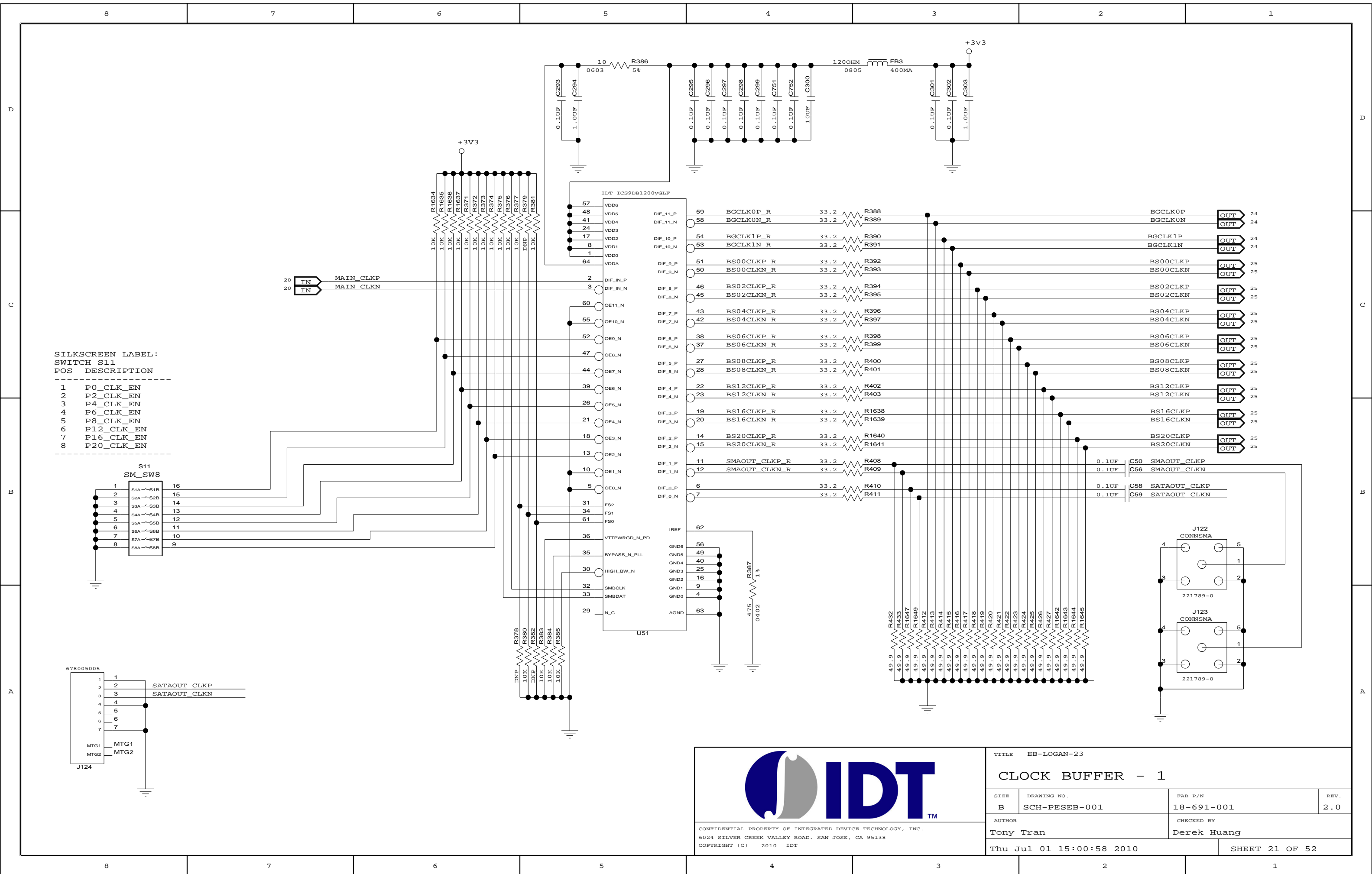
PLACE R317 & R318 U51

PLACE J6 CLOSE TO U51



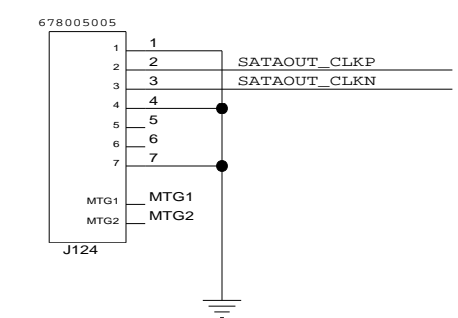
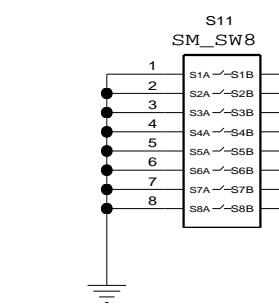
CONFIDENTIAL PROPERTY OF INTEGRATED DEVICE TECHNOLOGY, INC.  
 6024 SILVER CREEK VALLEY ROAD, SAN JOSE, CA 95138  
 COPYRIGHT (C) 2010 IDT

TITLE EB-LOGAN-23			
<b>CLOCK</b>			
SIZE B	DRAWING NO. SCH-PESEB-001	FAB P/N 18-691-001	REV. 2.0
AUTHOR Tony Tran		CHECKED BY Derek Huang	
Thu Jul 01 15:00:58 2010			SHEET 20 OF 52



SILKSCREEN LABEL:  
SWITCH S11  
POS DESCRIPTION

1	P0_CLK_EN
2	P2_CLK_EN
3	P4_CLK_EN
4	P6_CLK_EN
5	P8_CLK_EN
6	P12_CLK_EN
7	P16_CLK_EN
8	P20_CLK_EN

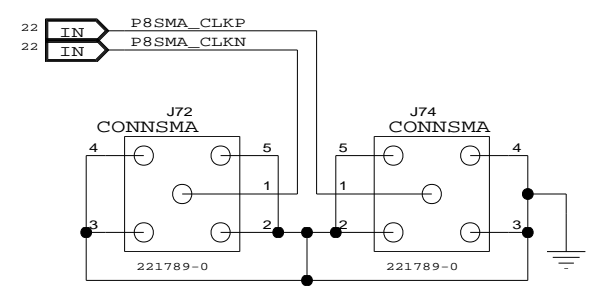
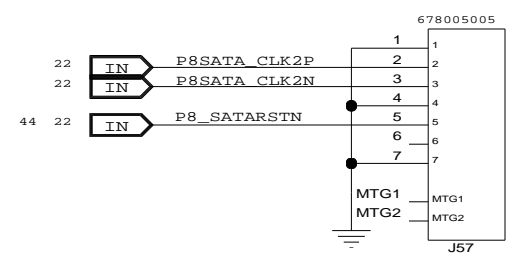
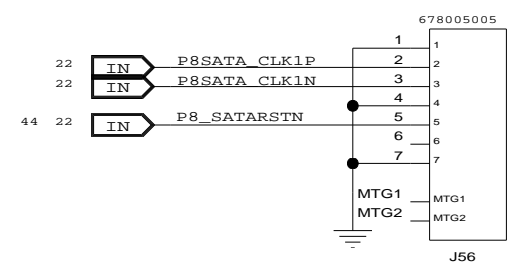
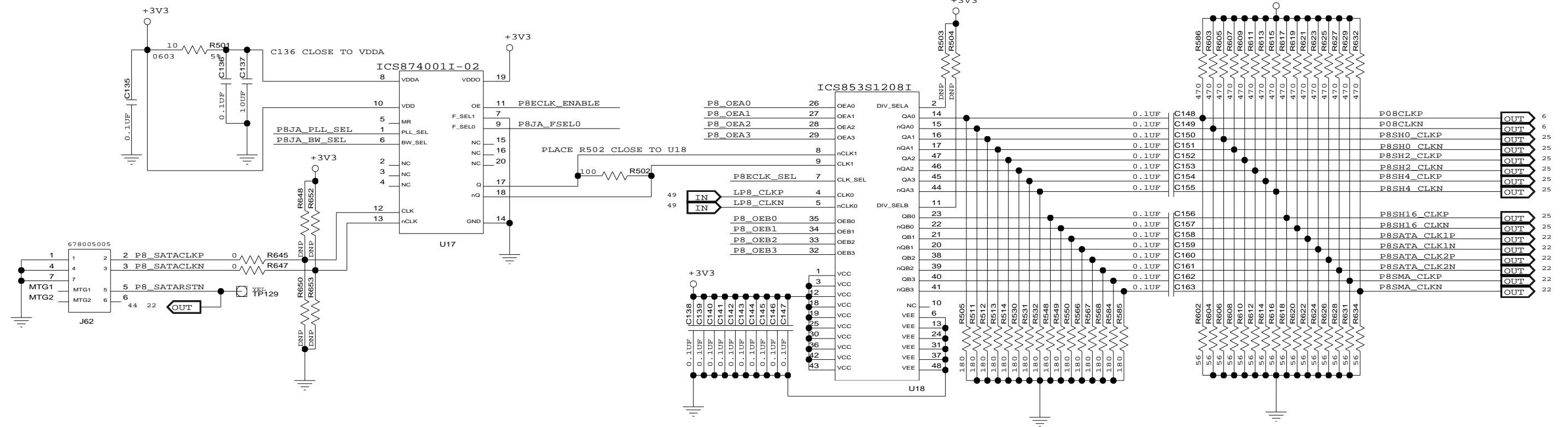


CONFIDENTIAL PROPERTY OF INTEGRATED DEVICE TECHNOLOGY, INC.  
6024 SILVER CREEK VALLEY ROAD. SAN JOSE, CA 95138  
COPYRIGHT (C) 2010 IDT

TITLE EB-LOGAN-23			
CLOCK BUFFER - 1			
SIZE	DRAWING NO.	FAB P/N	REV.
B	SCH-PESEB-001	18-691-001	2.0
AUTHOR		CHECKED BY	
Tony Tran		Derek Huang	
Thu Jul 01 15:00:58 2010			SHEET 21 OF 52

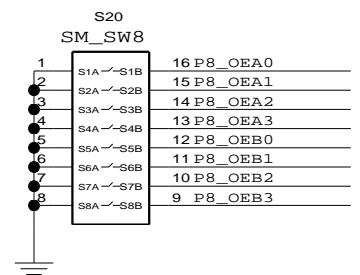
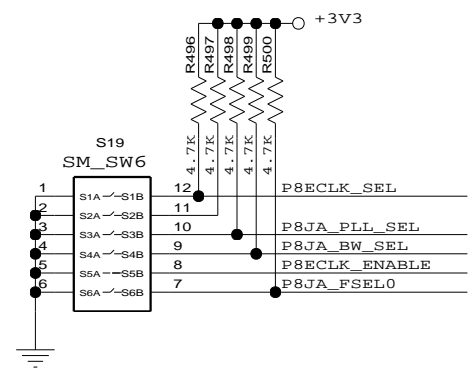
P8CLK - DUT PORT 8 CLK  
 LP8CLK - LOCAL CLOCK GEN. PORT 8 CLK  
 P8SHXCLK - TO SLOT CLK HEADERS

PLACE 470 AND 56 OHM RESISTORS CLOSE TO DESTINATION.



DEFAULT DIPSW SETTING  
 S19:1 OFF (SATACLK)  
 S19:3 OFF (PLL)  
 S19:4 OFF (2.2MHZ)  
 S19:5 OFF (U17 OUTPUT ON)  
 S19:6 ON (100MHZ)

U18 OUTPUTS  
 OFF (ENABLE)  
 ON (DISABLE)

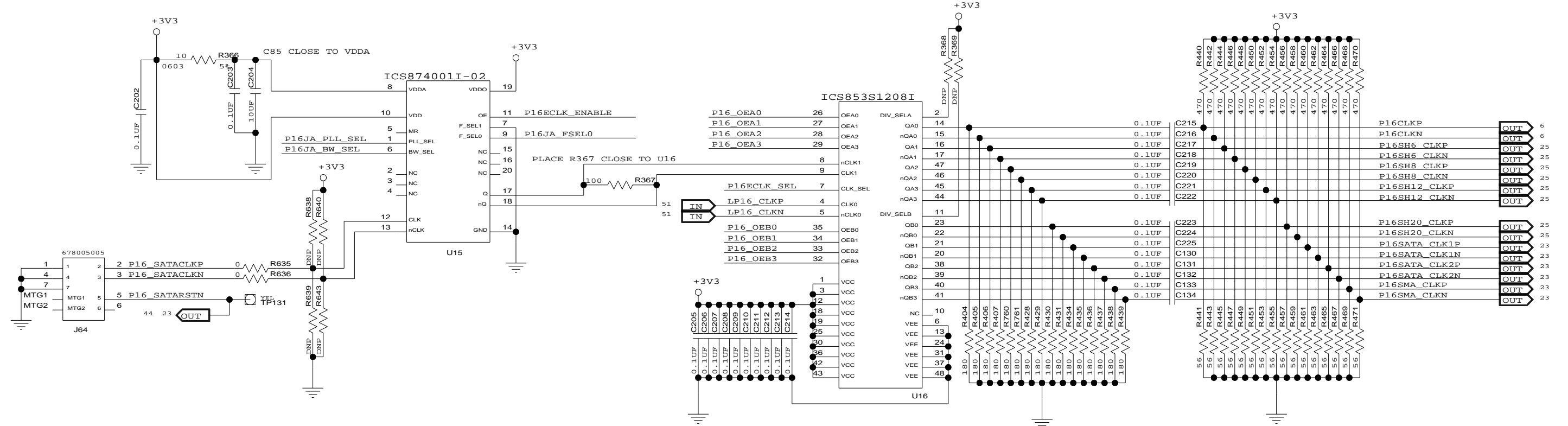


CONFIDENTIAL PROPERTY OF INTEGRATED DEVICE TECHNOLOGY, INC.  
 6024 SILVER CREEK VALLEY ROAD. SAN JOSE, CA 95138  
 COPYRIGHT (C) 2010 IDT

TITLE EB-LOGAN-23			
CLOCK SELECTOR DUT PCLK 8			
SIZE B	DRAWING NO. SCH-PESEB-001	FAB P/N 18-691-001	REV. 2.0
AUTHOR Tony Tran		CHECKED BY Derek Huang	
Tue Aug 10 13:51:12 2010			SHEET 22 OF 52

P16CLK - DUT PORT 16 CLK  
 LP16CLK - LOCAL CLOCK GEN. PORT 16 CLK  
 P16SHXCLK - TO SLOT CLK HEADERS

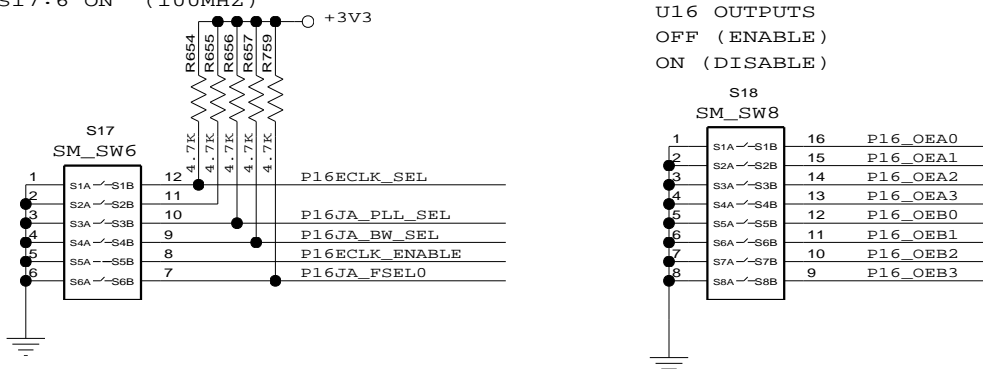
PLACE 470 AND 56 OHM RESISTORS CLOSE TO DESTINATION.



DEFAULT DIPSW SETTING

- S17:1 OFF (SATACLK)
- S17:3 OFF (PLL)
- S17:4 OFF (2.2MHZ)
- S17:5 OFF (U15 OUTPUT ON)
- S17:6 ON (100MHZ)

U16 OUTPUTS  
 OFF (ENABLE)  
 ON (DISABLE)



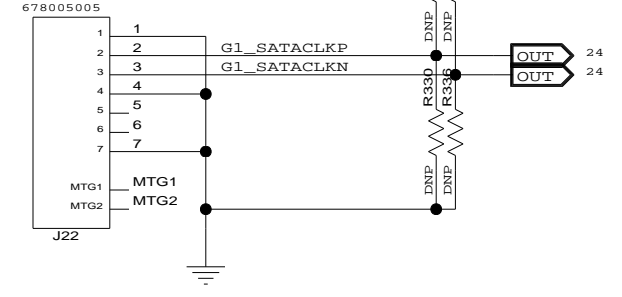
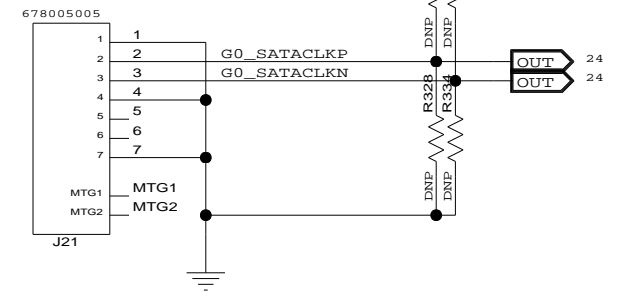
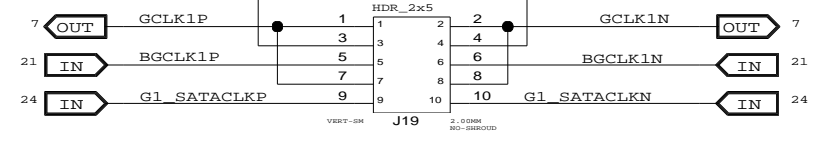
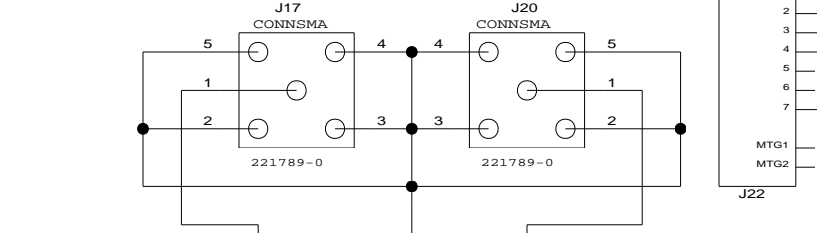
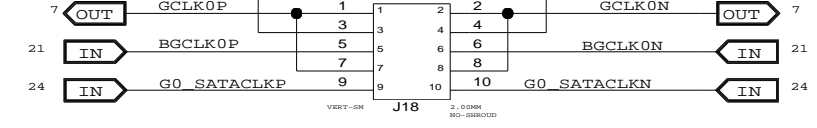
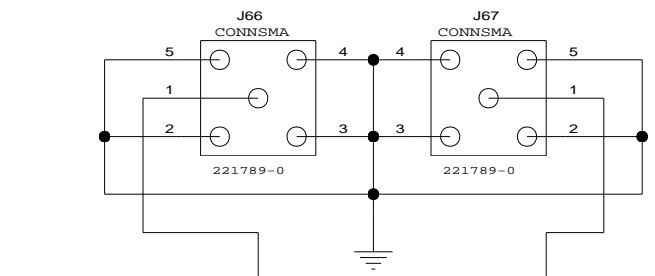
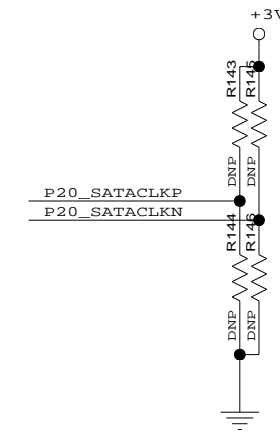
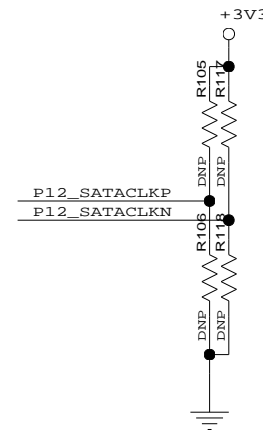
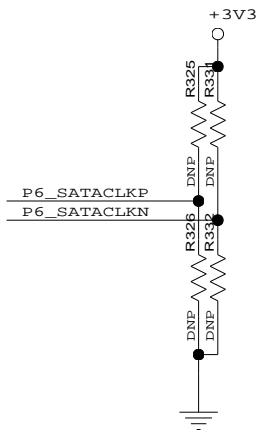
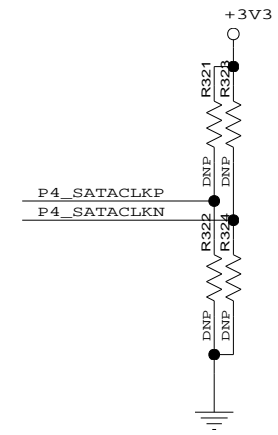
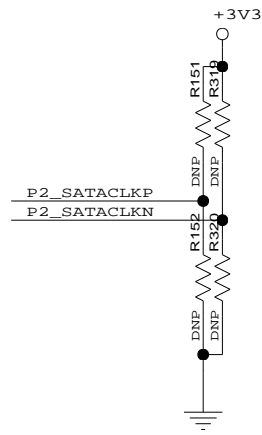
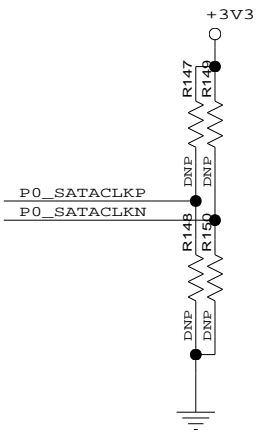
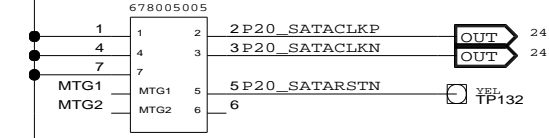
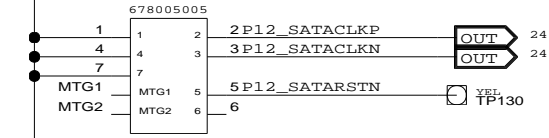
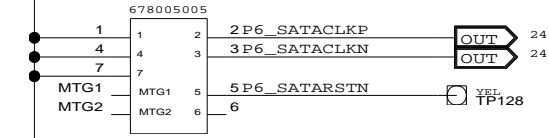
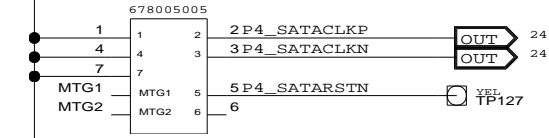
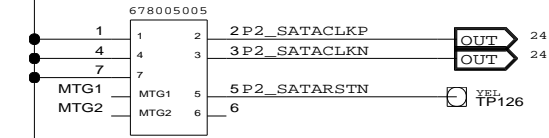
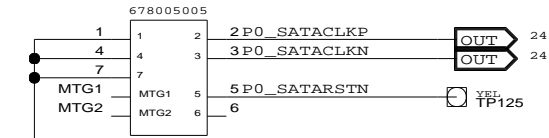
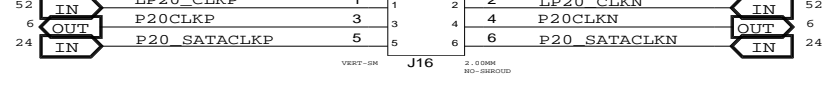
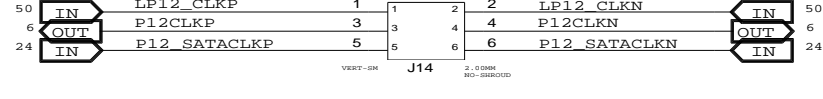
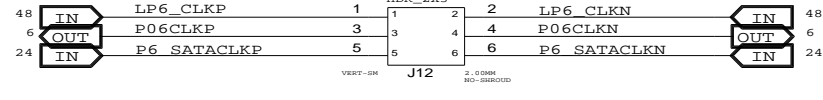
CONFIDENTIAL PROPERTY OF INTEGRATED DEVICE TECHNOLOGY, INC.  
 6024 SILVER CREEK VALLEY ROAD, SAN JOSE, CA 95138  
 COPYRIGHT (C) 2010 IDT

TITLE EB-LOGAN-23

CLOCK SELECTOR DUT PCLK 16

SIZE B	DRAWING NO. SCH-PESEB-001	FAB P/N 18-691-001	REV. 2.0
AUTHOR Tony Tran		CHECKED BY Derek Huang	
Tue Aug 10 13:51:21 2010			SHEET 23 OF 52

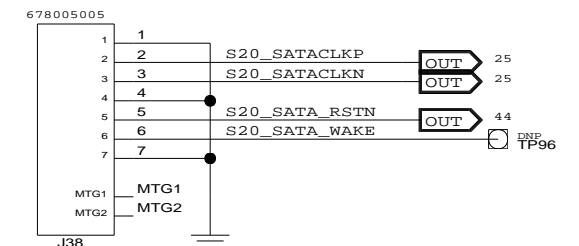
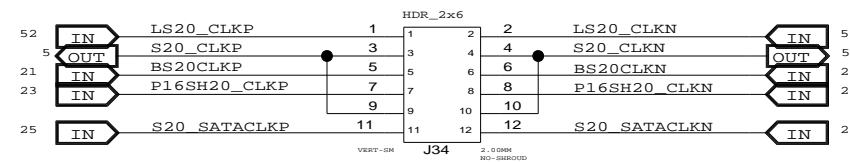
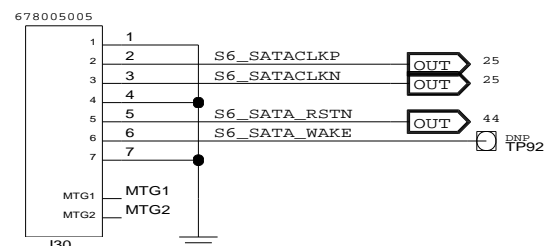
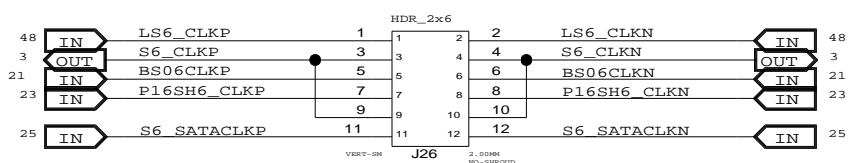
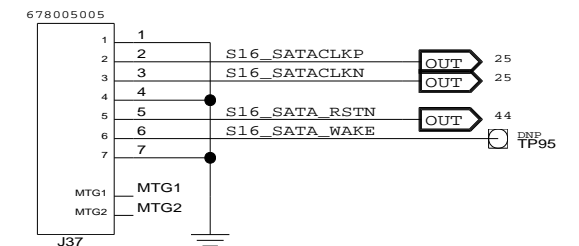
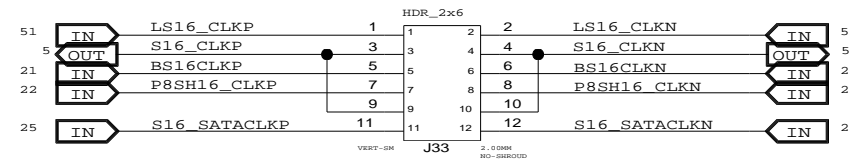
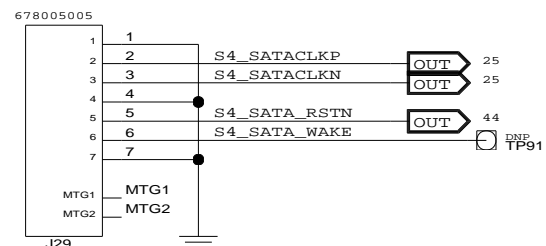
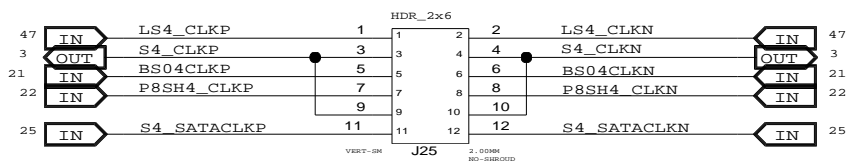
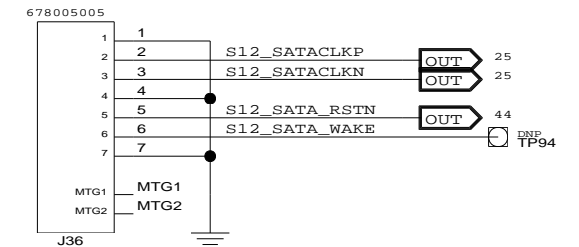
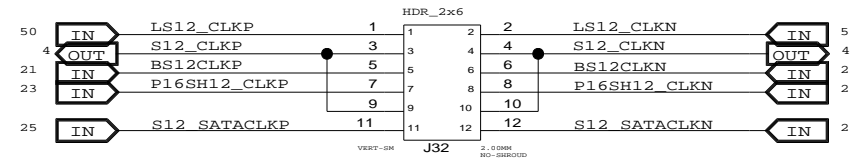
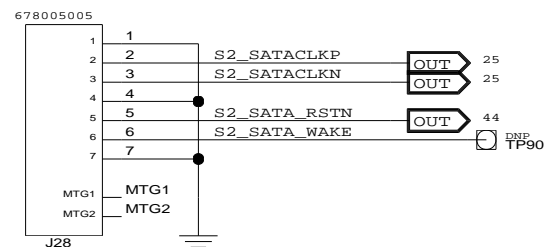
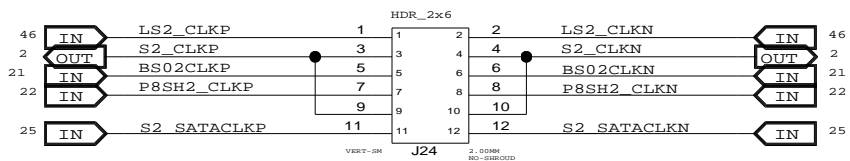
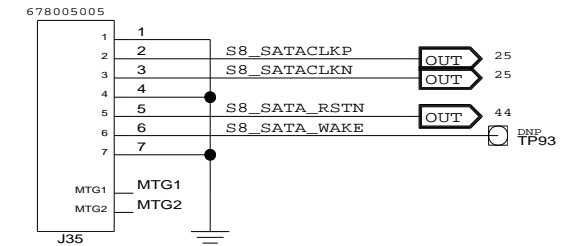
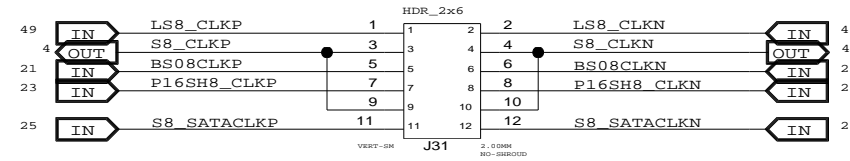
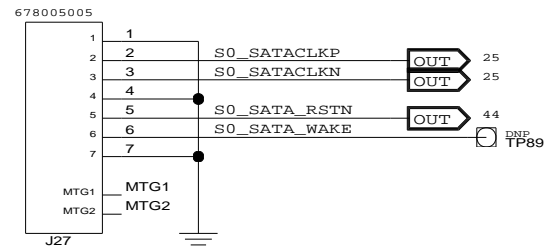
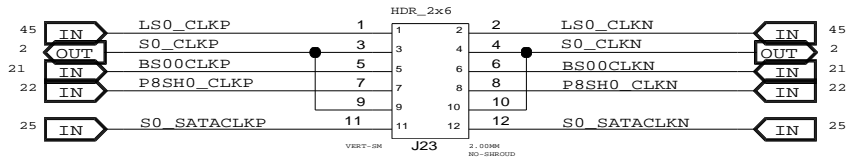
PXXCLK - DUT CLK  
 LPXXCLK - LOCAL CLOCK GEN. PORT CLK  
 SHXXCLK - SLOT HDR. CLK



TITLE EB-LOGAN-23			
CLOCK SELECTOR DUT PCLK 0-20, GCLK 0-1			
SIZE	DRAWING NO.	FAB P/N	REV.
B	SCH-PESEB-001	18-691-001	2.0
AUTHOR		CHECKED BY	
Tony Tran		Derek Huang	
Thu Jul 01 15:00:59 2010			SHEET 24 OF 52

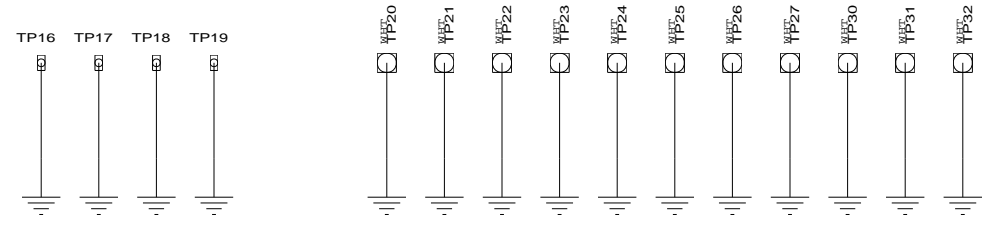
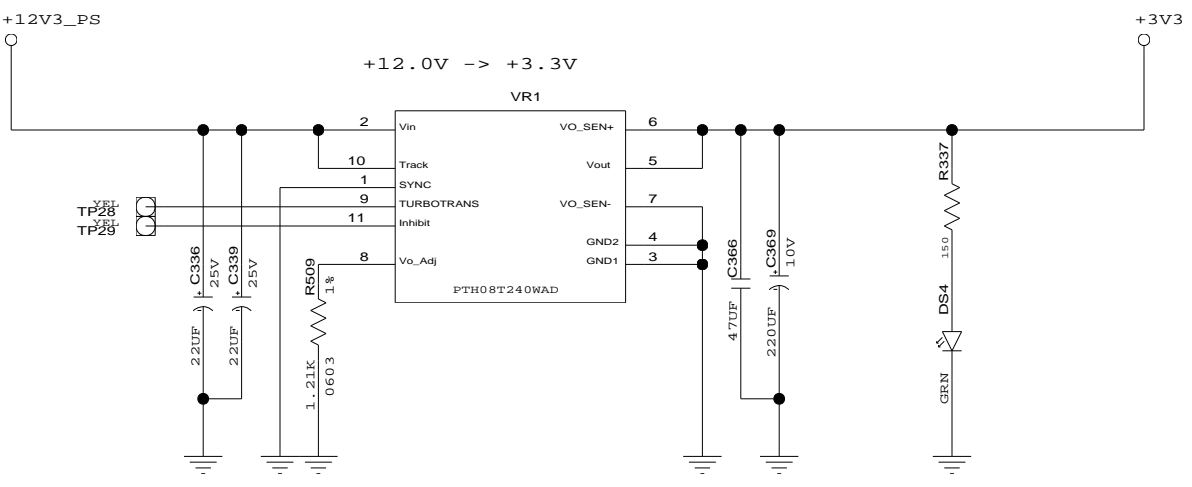
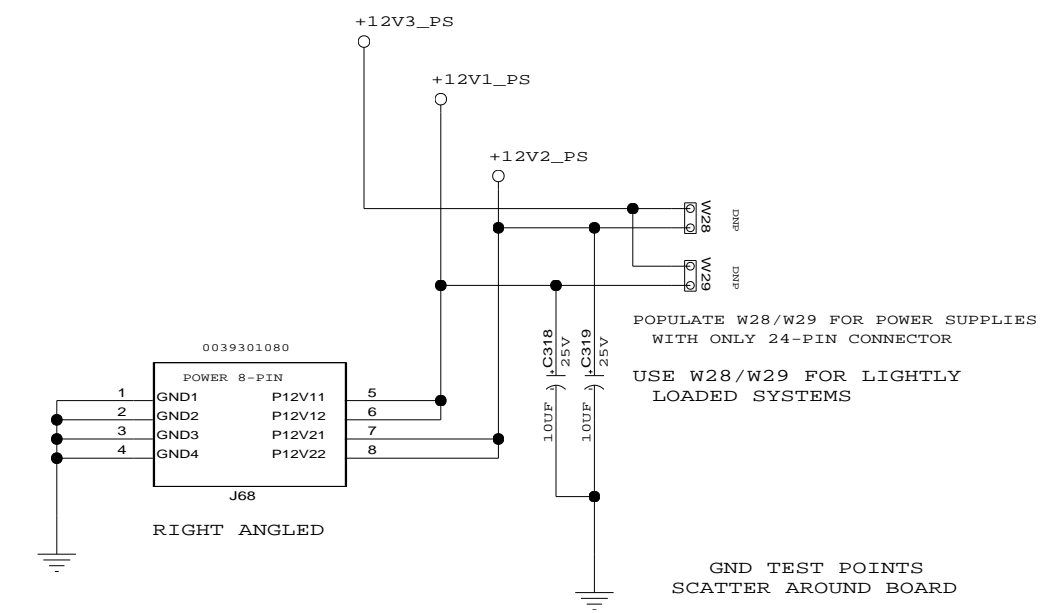
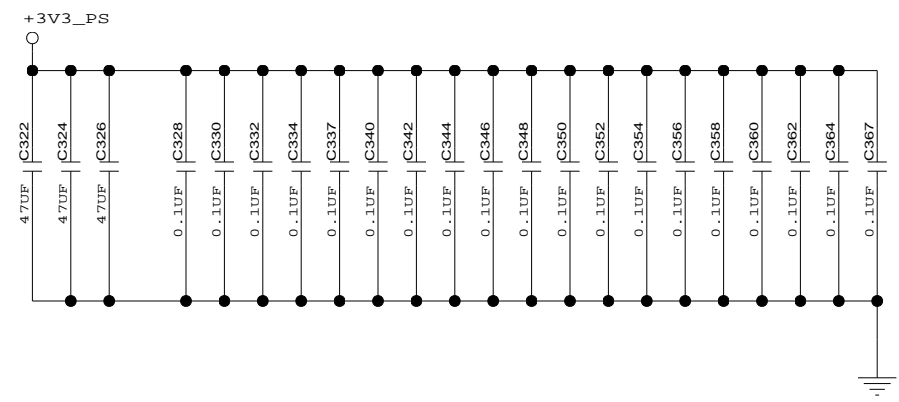
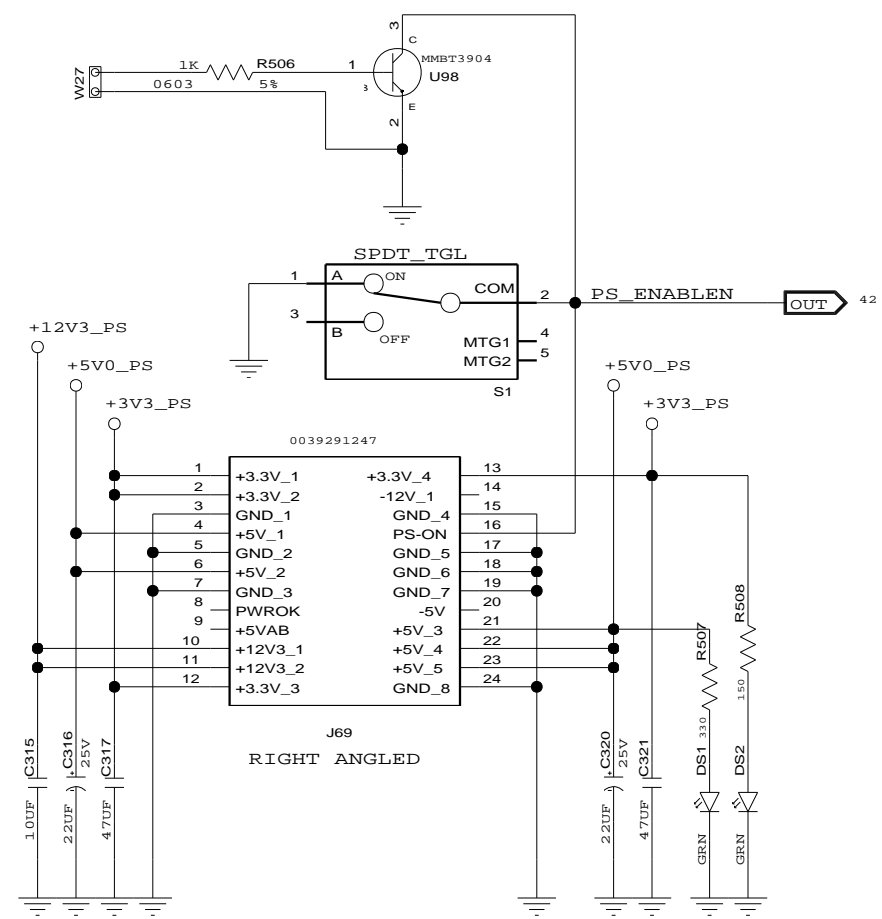


SXXCLK - SLOT CLK  
 BSXXCLK - BUFFER SLOT CLK  
 LSXXCLK - LOCAL CLOCK GEN. SLOT CLK  
 SHXXCLK - SLOT HDR.CLK



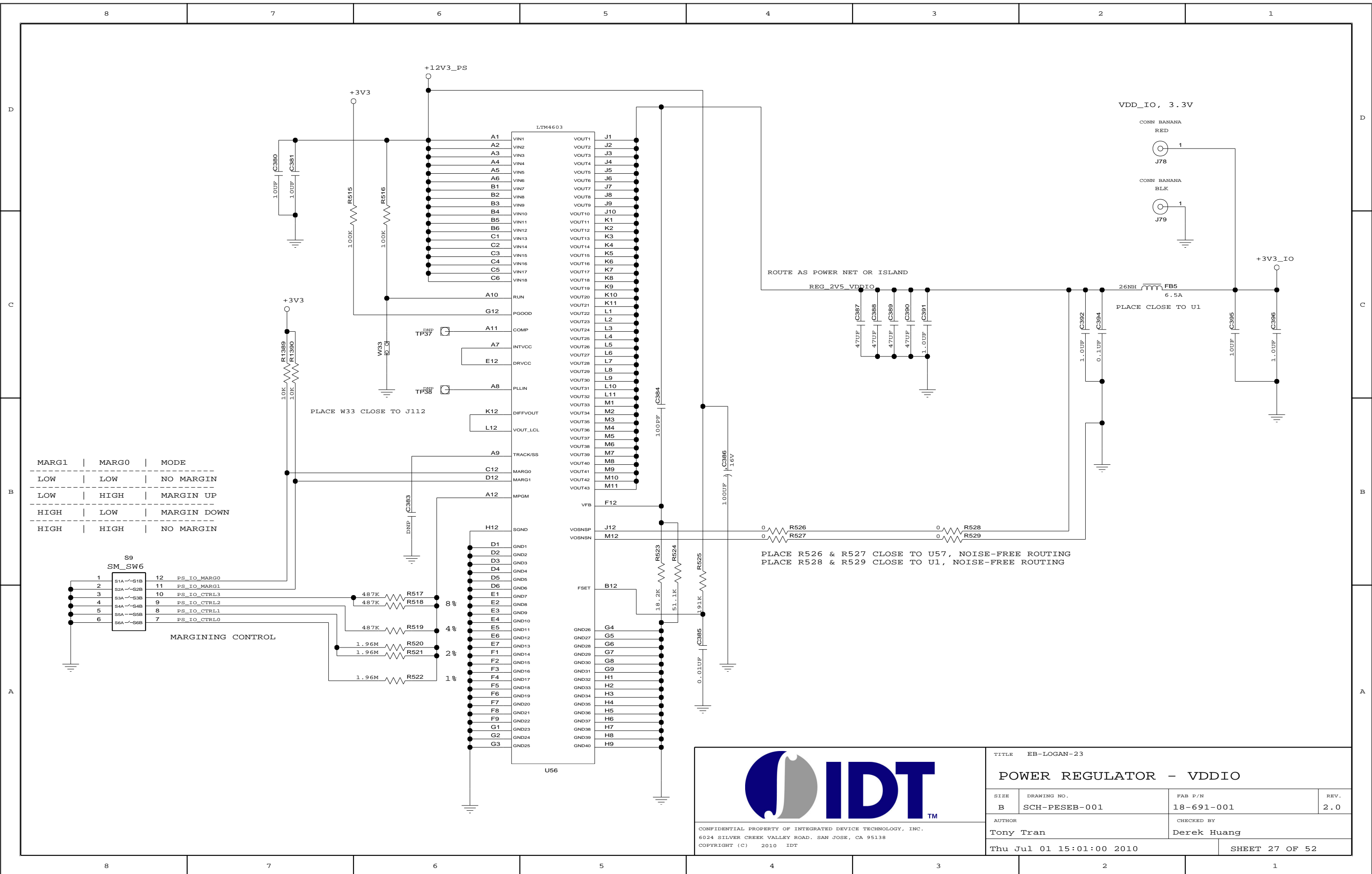
CONFIDENTIAL PROPERTY OF INTEGRATED DEVICE TECHNOLOGY, INC.  
 6024 SILVER CREEK VALLEY ROAD. SAN JOSE, CA 95138  
 COPYRIGHT (C) 2010 IDT

TITLE EB-LOGAN-23			
CLOCK SELECTOR SLOTS 0-20			
SIZE	DRAWING NO.	FAB P/N	REV.
B	SCH-PESEB-001	18-691-001	2.0
AUTHOR		CHECKED BY	
Tony Tran		Derek Huang	
Thu Jul 01 15:00:59 2010			SHEET 25 OF 52



CONFIDENTIAL PROPERTY OF INTEGRATED DEVICE TECHNOLOGY, INC.  
6024 SILVER CREEK VALLEY ROAD, SAN JOSE, CA 95138  
COPYRIGHT (C) 2010 IDT

TITLE EB-LOGAN-23			
POWER CONNECTORS			
SIZE	DRAWING NO.	FAB P/N	REV.
B	SCH-PESEB-001	18-691-001	2.0
AUTHOR		CHECKED BY	
Tony Tran		Derek Huang	
Thu Jul 01 15:01:00 2010			SHEET 26 OF 52

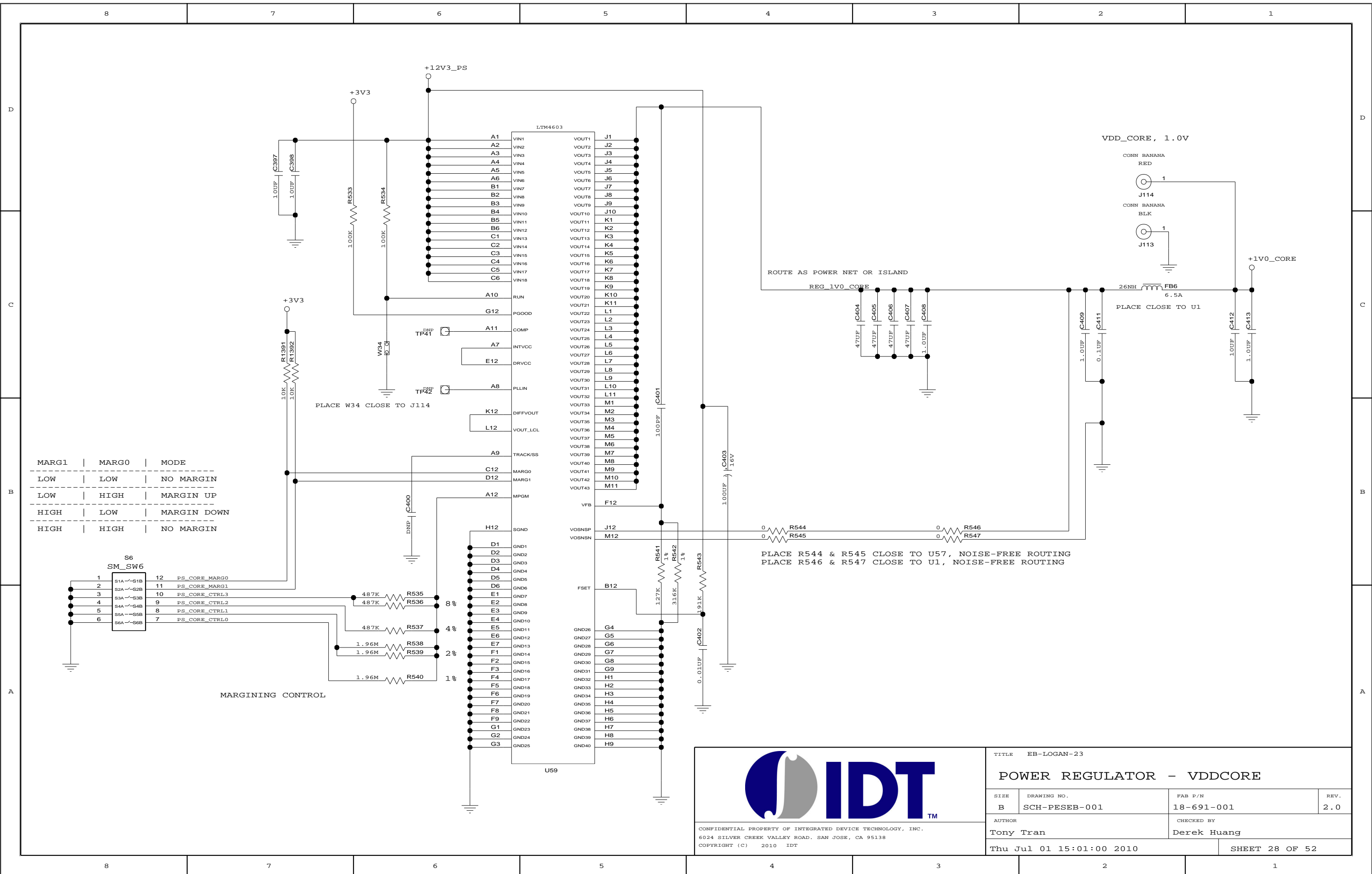


MARG1	MARG0	MODE
LOW	LOW	NO MARGIN
LOW	HIGH	MARGIN UP
HIGH	LOW	MARGIN DOWN
HIGH	HIGH	NO MARGIN

MARGINING CONTROL

CONFIDENTIAL PROPERTY OF INTEGRATED DEVICE TECHNOLOGY, INC.  
 6024 SILVER CREEK VALLEY ROAD, SAN JOSE, CA 95138  
 COPYRIGHT (C) 2010 IDT

TITLE EB-LOGAN-23			
POWER REGULATOR - VDDIO			
SIZE	DRAWING NO.	FAB P/N	REV.
B	SCH-PESEB-001	18-691-001	2.0
AUTHOR		CHECKED BY	
Tony Tran		Derek Huang	
Thu Jul 01 15:01:00 2010			SHEET 27 OF 52



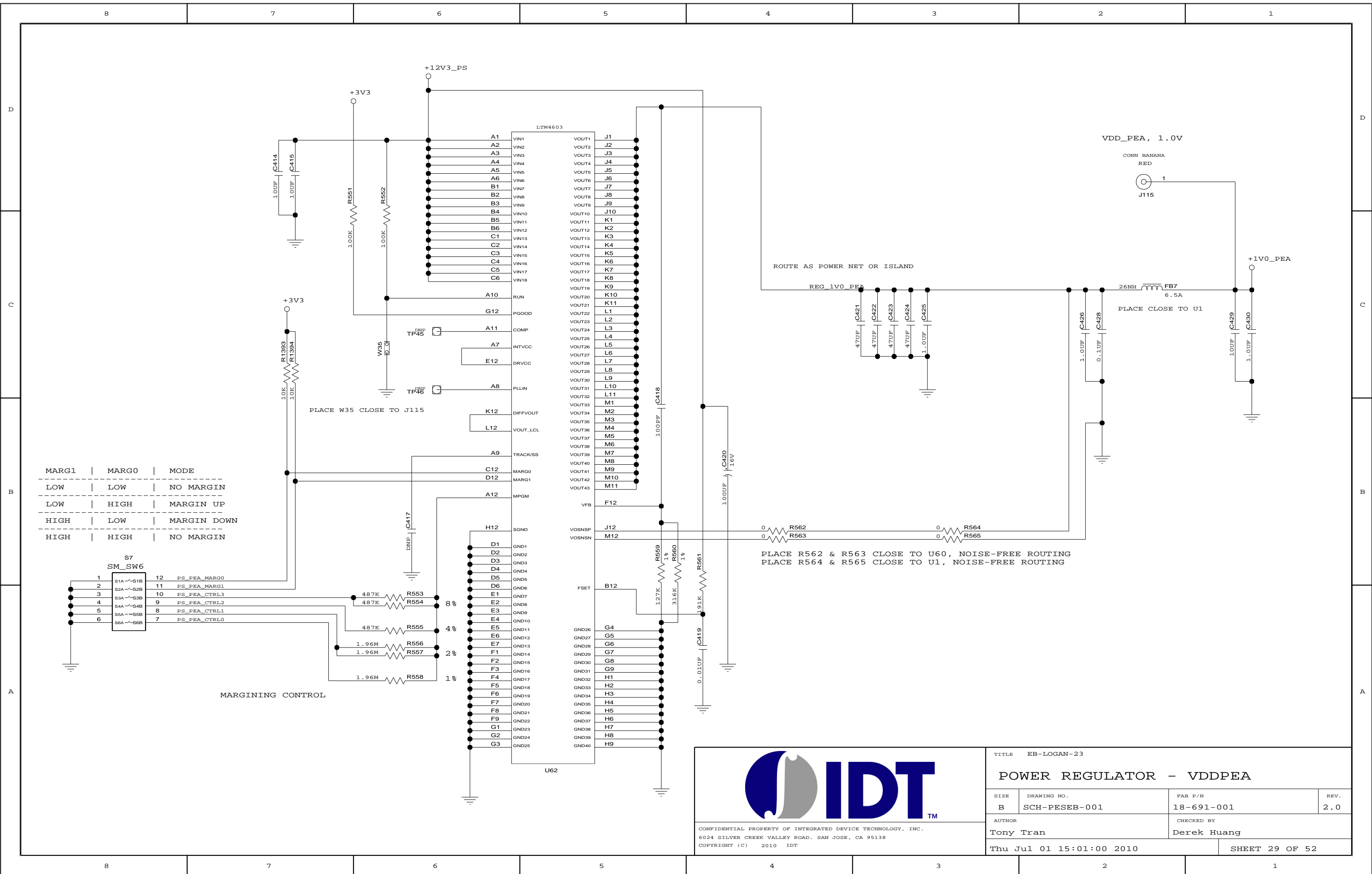
MARG1	MARG0	MODE
LOW	LOW	NO MARGIN
LOW	HIGH	MARGIN UP
HIGH	LOW	MARGIN DOWN
HIGH	HIGH	NO MARGIN

S6 SM_SW6	
1	S1A-S1B
2	S2A-S2B
3	S3A-S3B
4	S4A-S4B
5	S5A-S5B
6	S6A-S6B
7	PS_CORE_CTRL0
8	PS_CORE_CTRL1
9	PS_CORE_CTRL2
10	PS_CORE_CTRL3
11	PS_CORE_MARG1
12	PS_CORE_MARG0

MARGINING CONTROL

CONFIDENTIAL PROPERTY OF INTEGRATED DEVICE TECHNOLOGY, INC.  
6024 SILVER CREEK VALLEY ROAD, SAN JOSE, CA 95138  
COPYRIGHT (C) 2010 IDT

TITLE EB-LOGAN-23			
POWER REGULATOR - VDDCORE			
SIZE	DRAWING NO.	FAB P/N	REV.
B	SCH-PESEB-001	18-691-001	2.0
AUTHOR		CHECKED BY	
Tony Tran		Derek Huang	
Thu Jul 01 15:01:00 2010			SHEET 28 OF 52



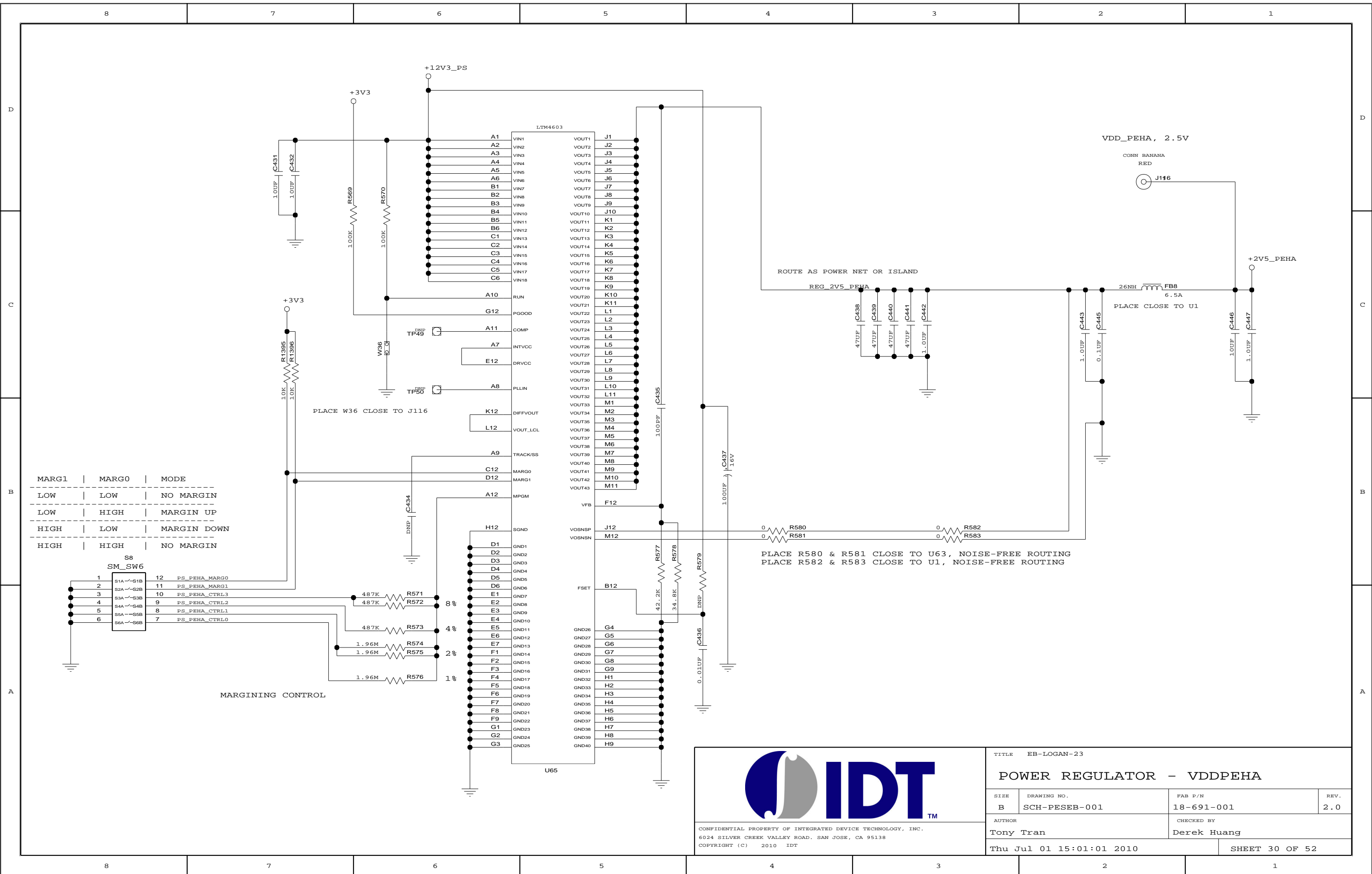
MARG1	MARG0	MODE
LOW	LOW	NO MARGIN
LOW	HIGH	MARGIN UP
HIGH	LOW	MARGIN DOWN
HIGH	HIGH	NO MARGIN

MARGINING CONTROL



CONFIDENTIAL PROPERTY OF INTEGRATED DEVICE TECHNOLOGY, INC.  
 6024 SILVER CREEK VALLEY ROAD, SAN JOSE, CA 95138  
 COPYRIGHT (C) 2010 IDT

TITLE EB-LOGAN-23			
POWER REGULATOR - VDDPEA			
SIZE B	DRAWING NO. SCH-PESEB-001	FAB P/N 18-691-001	REV. 2.0
AUTHOR Tony Tran		CHECKED BY Derek Huang	
Thu Jul 01 15:01:00 2010			SHEET 29 OF 52



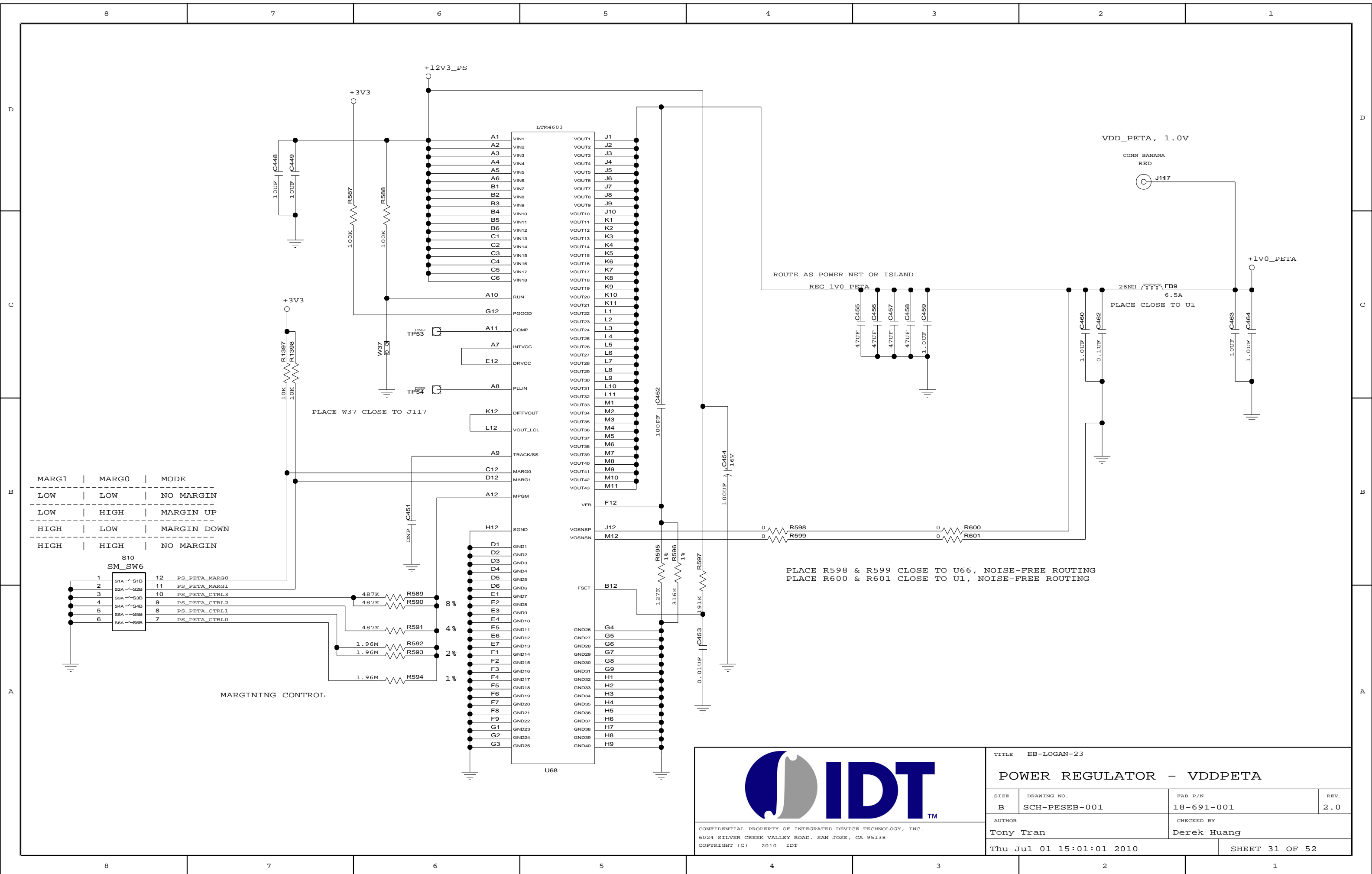
MARG1	MARG0	MODE
LOW	LOW	NO MARGIN
LOW	HIGH	MARGIN UP
HIGH	LOW	MARGIN DOWN
HIGH	HIGH	NO MARGIN

S8 SM_SW6	
1	S1A-S1B
2	S2A-S2B
3	S3A-S3B
4	S4A-S4B
5	S5A-S5B
6	S6A-S6B
7	PS_PEHA_CTRL0
8	PS_PEHA_CTRL1
9	PS_PEHA_CTRL2
10	PS_PEHA_CTRL3
11	PS_PEHA_MARG1
12	PS_PEHA_MARG0

MARGINING CONTROL

CONFIDENTIAL PROPERTY OF INTEGRATED DEVICE TECHNOLOGY, INC.  
6024 SILVER CREEK VALLEY ROAD, SAN JOSE, CA 95138  
COPYRIGHT (C) 2010 IDT

TITLE EB-LOGAN-23			
POWER REGULATOR - VDDPEHA			
SIZE	DRAWING NO.	FAB P/N	REV.
B	SCH-PESEB-001	18-691-001	2.0
AUTHOR		CHECKED BY	
Tony Tran		Derek Huang	
Thu Jul 01 15:01:01 2010			SHEET 30 OF 52



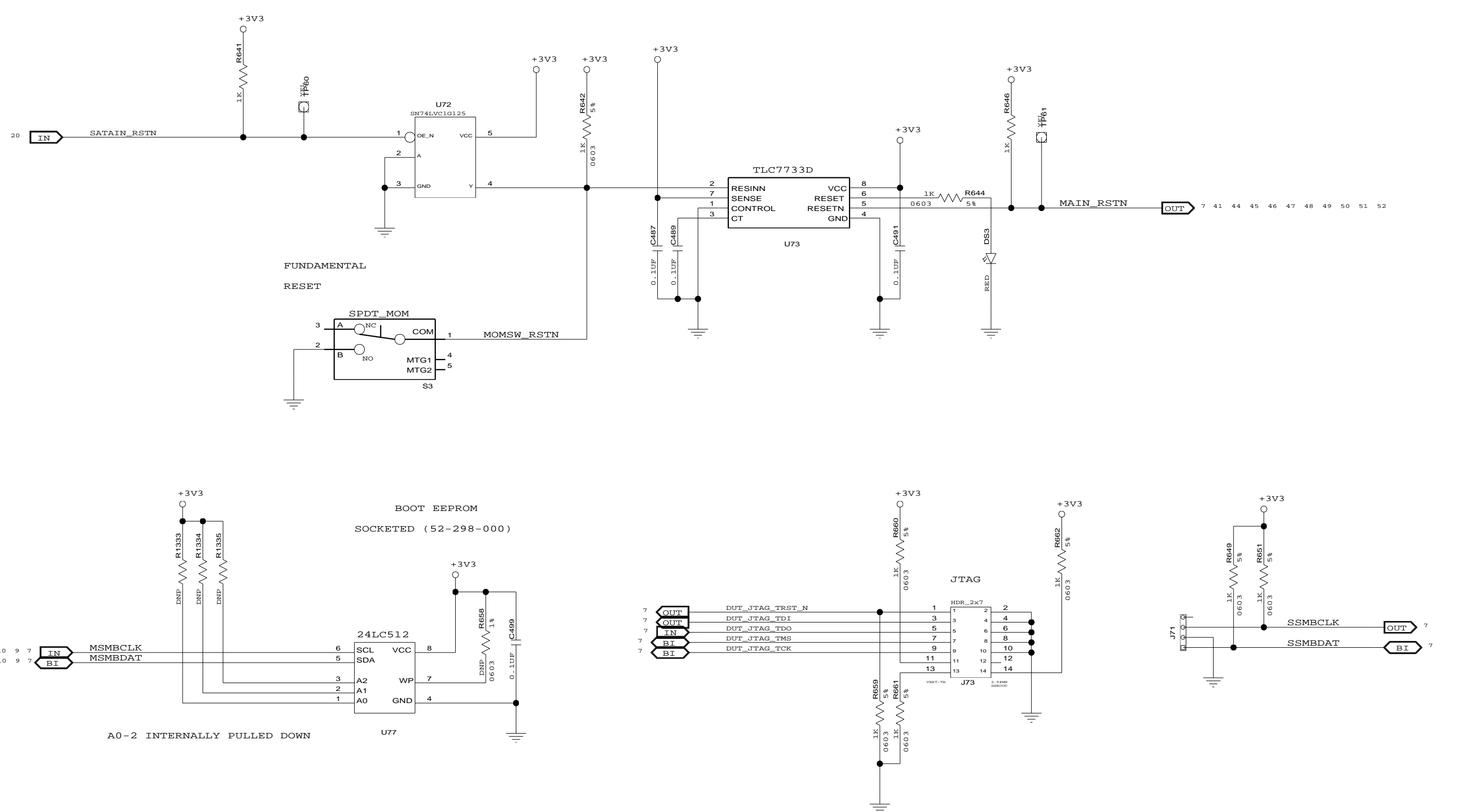
MARG1	MARG0	MODE
LOW	LOW	NO MARGIN
LOW	HIGH	MARGIN UP
HIGH	LOW	MARGIN DOWN
HIGH	HIGH	NO MARGIN


S10 SM_SW6	
1	S1A-S1B
2	S2A-S2B
3	S3A-S3B
4	S4A-S4B
5	S5A-S5B
6	S6A-S6B
7	PS_PETA_CTRL0
8	PS_PETA_CTRL1
9	PS_PETA_CTRL2
10	PS_PETA_CTRL3
11	PS_PETA_MARG1
12	PS_PETA_MARG0

MARGINING CONTROL

CONFIDENTIAL PROPERTY OF INTEGRATED DEVICE TECHNOLOGY, INC.  
 6024 SILVER CREEK VALLEY ROAD, SAN JOSE, CA 95138  
 COPYRIGHT (C) 2010 IDT

TITLE EB-LOGAN-23			
POWER REGULATOR - VDDPETA			
SIZE B	DRAWING NO. SCH-PESEB-001	FAB P/N 18-691-001	REV. 2.0
AUTHOR Tony Tran		CHECKED BY Derek Huang	
Thu Jul 01 15:01:01 2010			SHEET 31 OF 52





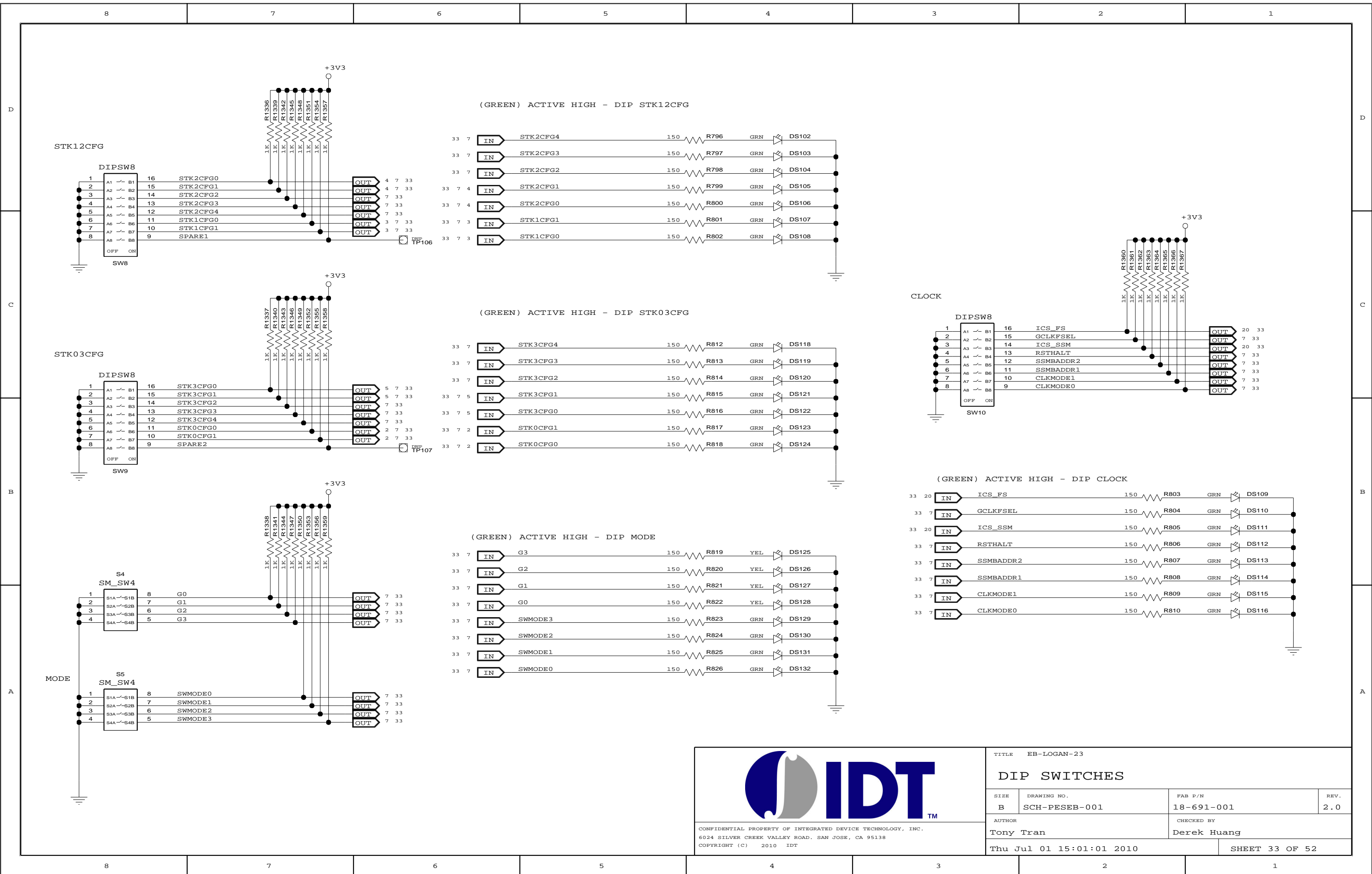
CONFIDENTIAL PROPERTY OF INTEGRATED DEVICE TECHNOLOGY, INC.  
6024 SILVER CREEK VALLEY ROAD. SAN JOSE, CA 95138  
COPYRIGHT (C) 2010 IDT

TITLE EB-LOGAN-23

### RESET, SMBUS, EEPROM, JTAG

SIZE	DRAWING NO.	FAB P/N	REV.
B	SCH-PESEB-001	18-691-001	2.0
AUTHOR		CHECKED BY	
Tony Tran		Derek Huang	
Thu Jul 01 15:01:01 2010			SHEET 32 OF 52

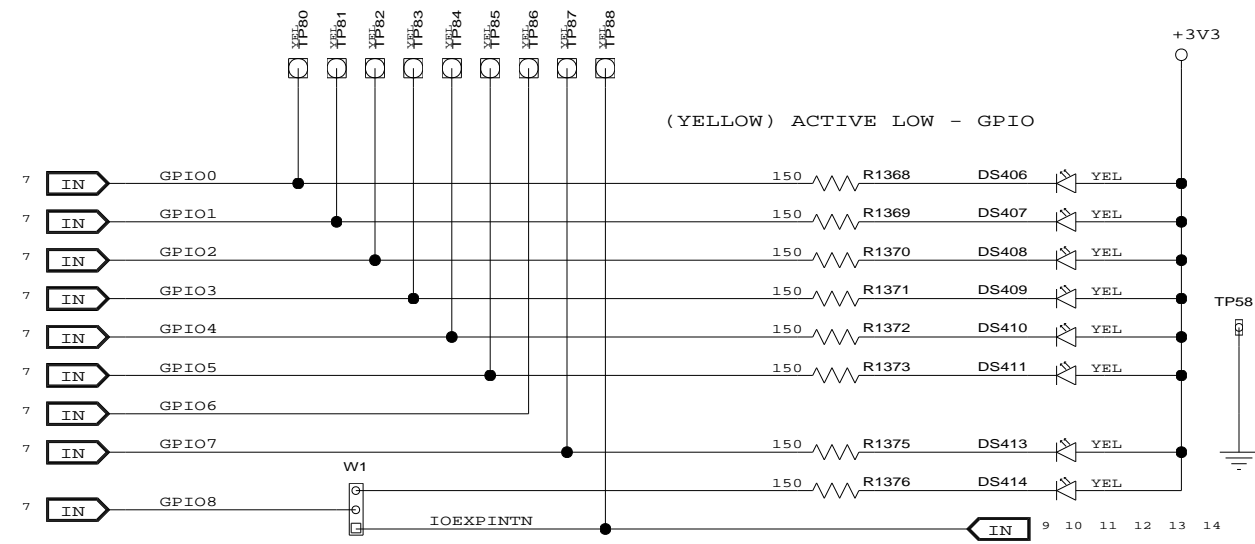




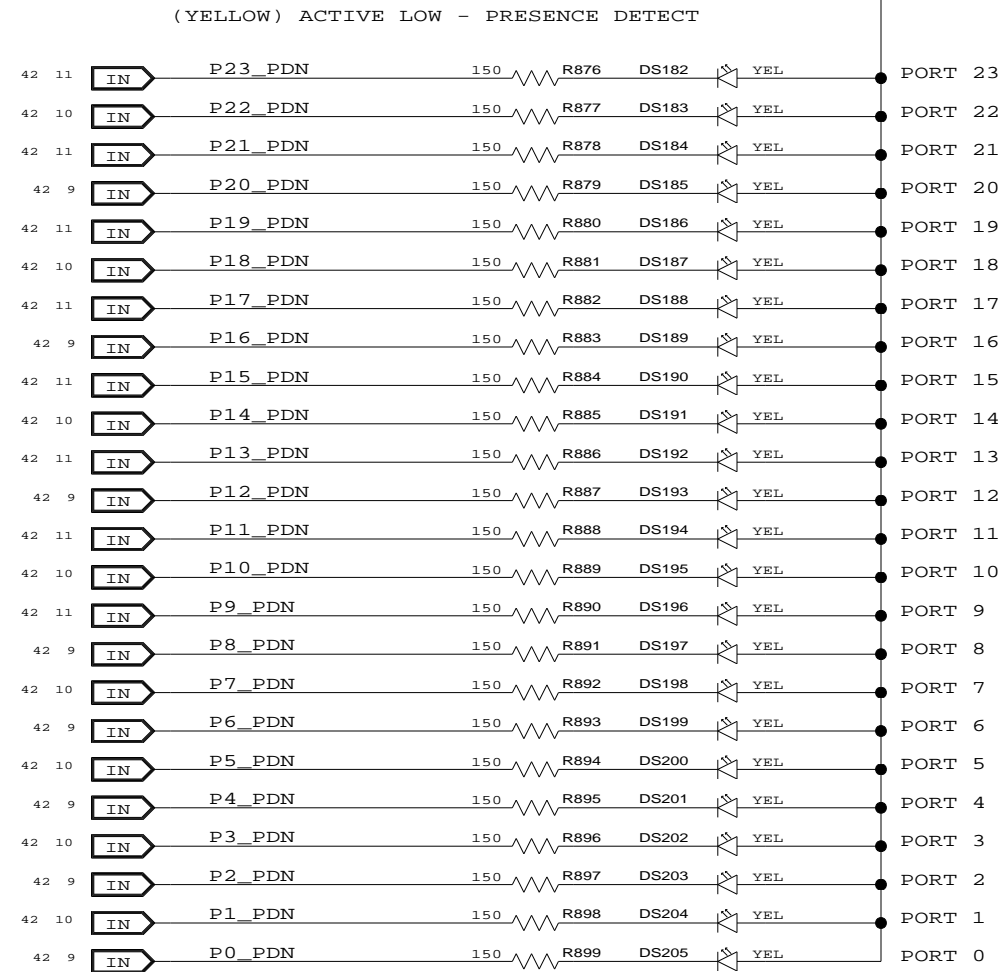
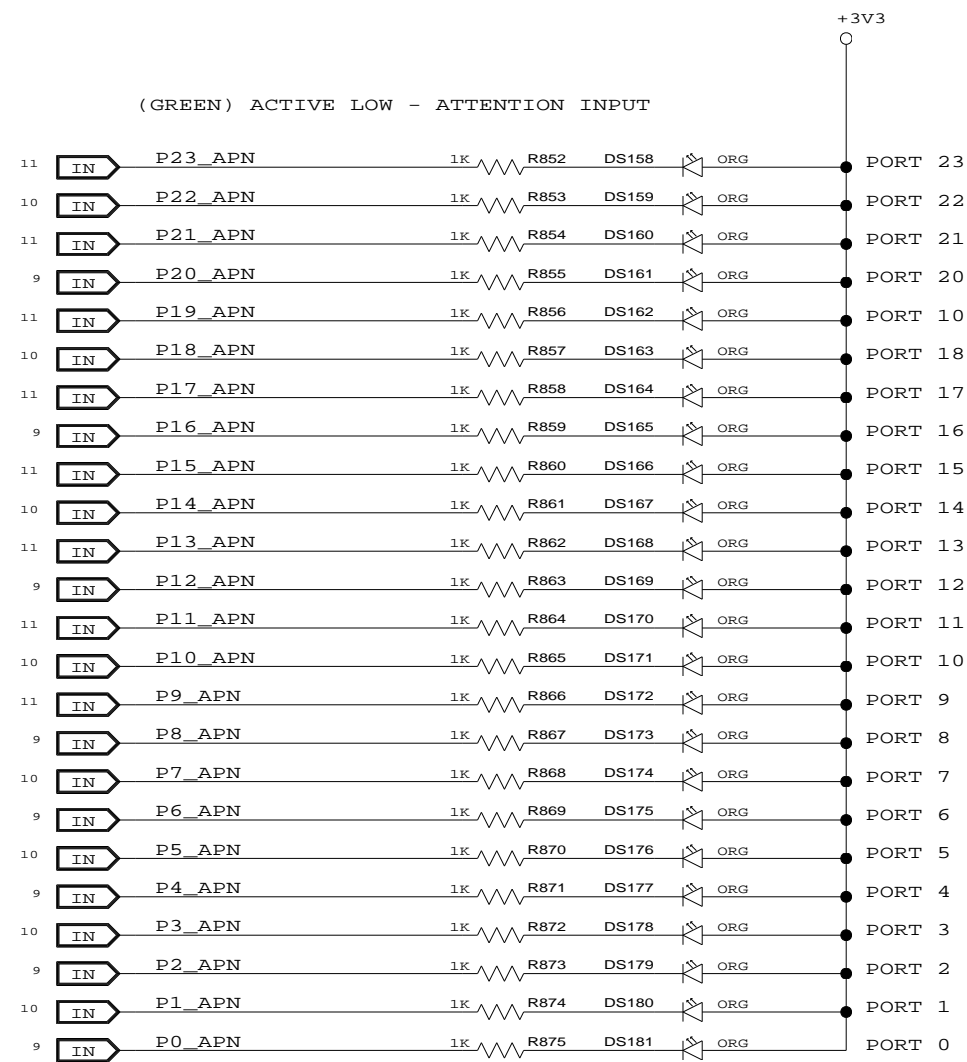
IDT™

CONFIDENTIAL PROPERTY OF INTEGRATED DEVICE TECHNOLOGY, INC.  
6024 SILVER CREEK VALLEY ROAD, SAN JOSE, CA 95138  
COPYRIGHT (C) 2010 IDT

TITLE EB-LOGAN-23			
DIP SWITCHES			
SIZE	DRAWING NO.	FAB P/N	REV.
B	SCH-PESEB-001	18-691-001	2.0
AUTHOR		CHECKED BY	
Tony Tran		Derek Huang	
Thu Jul 01 15:01:01 2010			SHEET 33 OF 52



GPIO	ALT0	ALT1
0	PART0PERSTN	P16LINKUPN
1	PART1PERSTN	P16ACTIVEN
2	PART2PERSTN	P4LINKUPN
3	PART3PERSTN	P4ACTIVEN
4	FAILOVER0	P0LINKUPN
5	GPEN	P0ACTIVEN
6	FAILOVER1	FAILOVER3
7	FAILOVER2	P8LINKUPN
8	IOEXPINTN W1:1-2	P8ACTIVEN W1:2-3



CONFIDENTIAL PROPERTY OF INTEGRATED DEVICE TECHNOLOGY, INC.  
6024 SILVER CREEK VALLEY ROAD, SAN JOSE, CA 95138  
COPYRIGHT (C) 2010 IDT

TITLE EB-LOGAN-23

LED - PORT STATUS (1 OF 7)

SIZE	DRAWING NO.	FAB P/N	REV.
B	SCH-PESEB-001	18-691-001	2.0
AUTHOR Tony Tran		CHECKED BY Derek Huang	
Thu Jul 01 15:01:02 2010			SHEET 34 OF 52

D

D

C

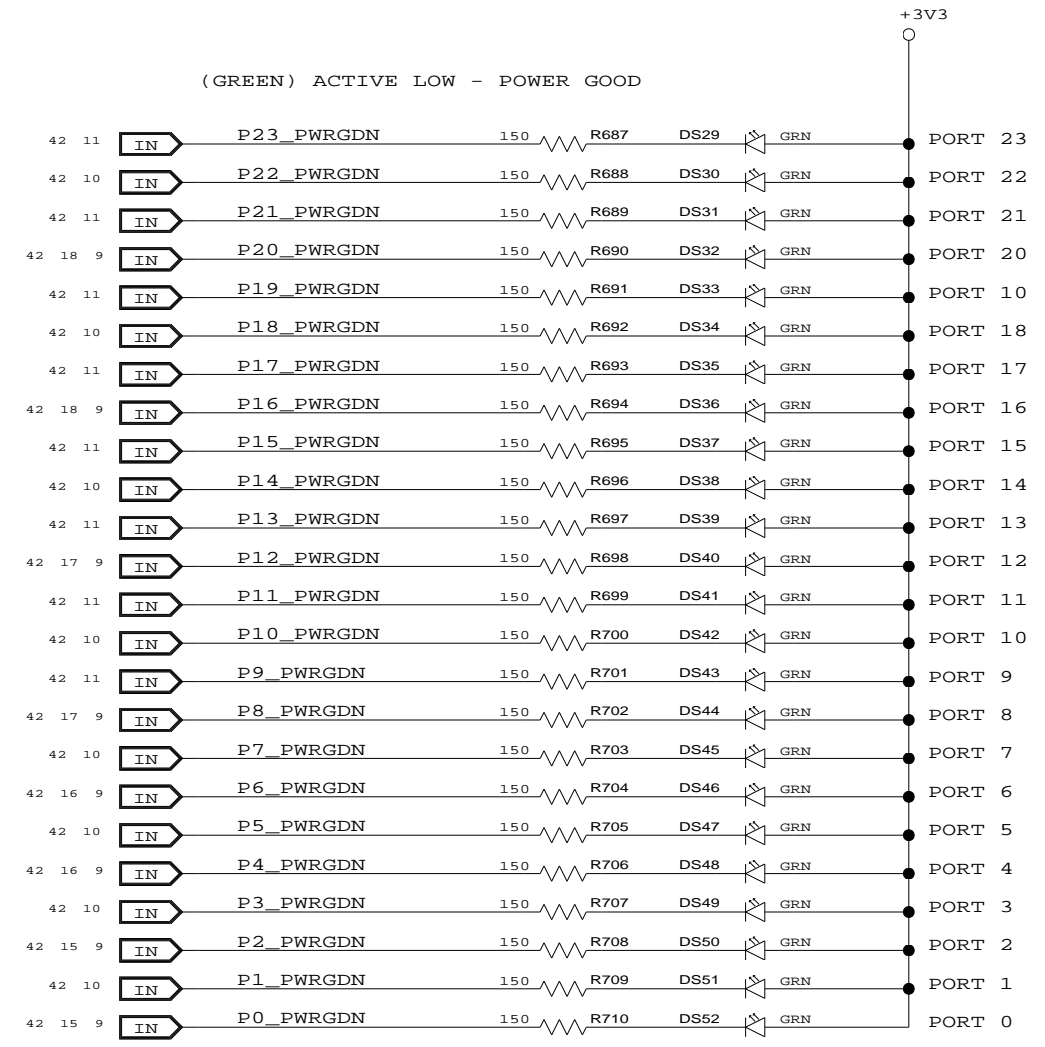
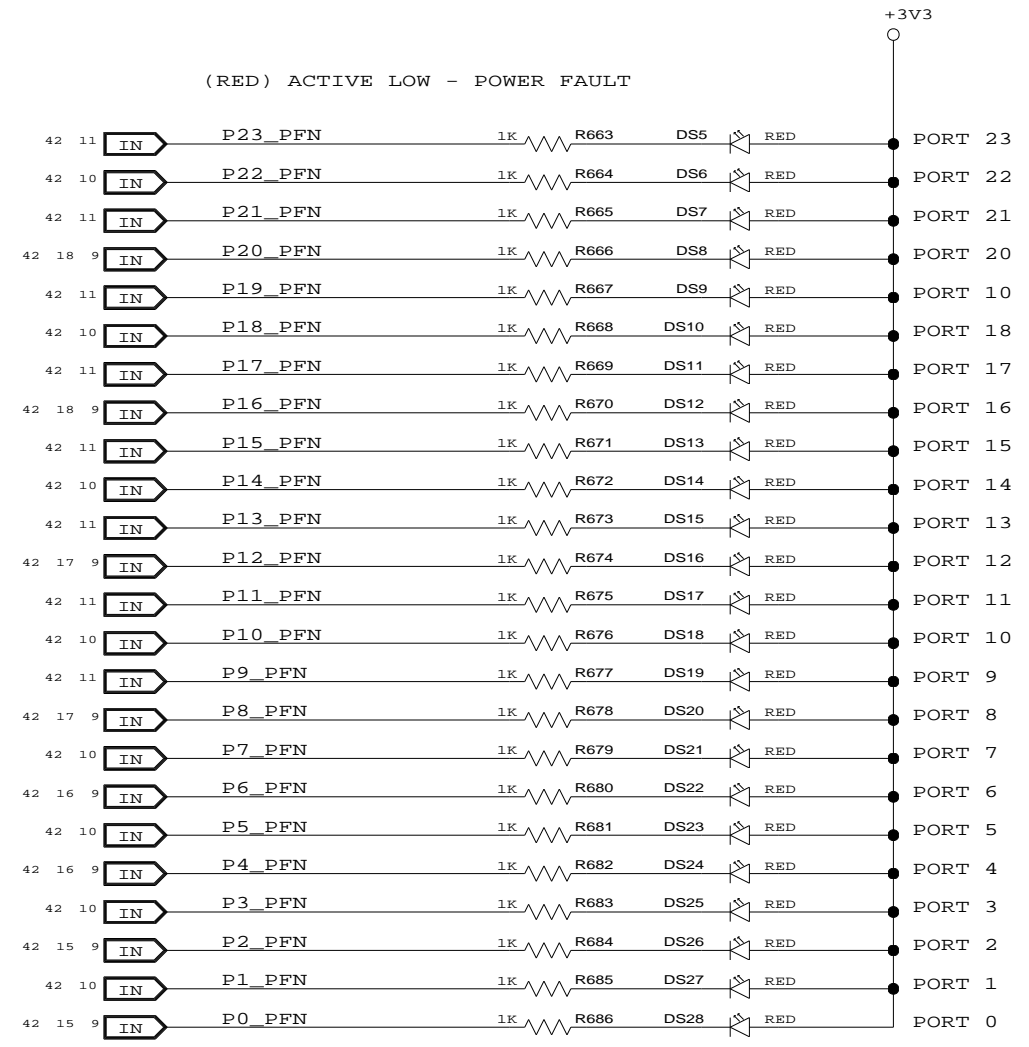
C

B

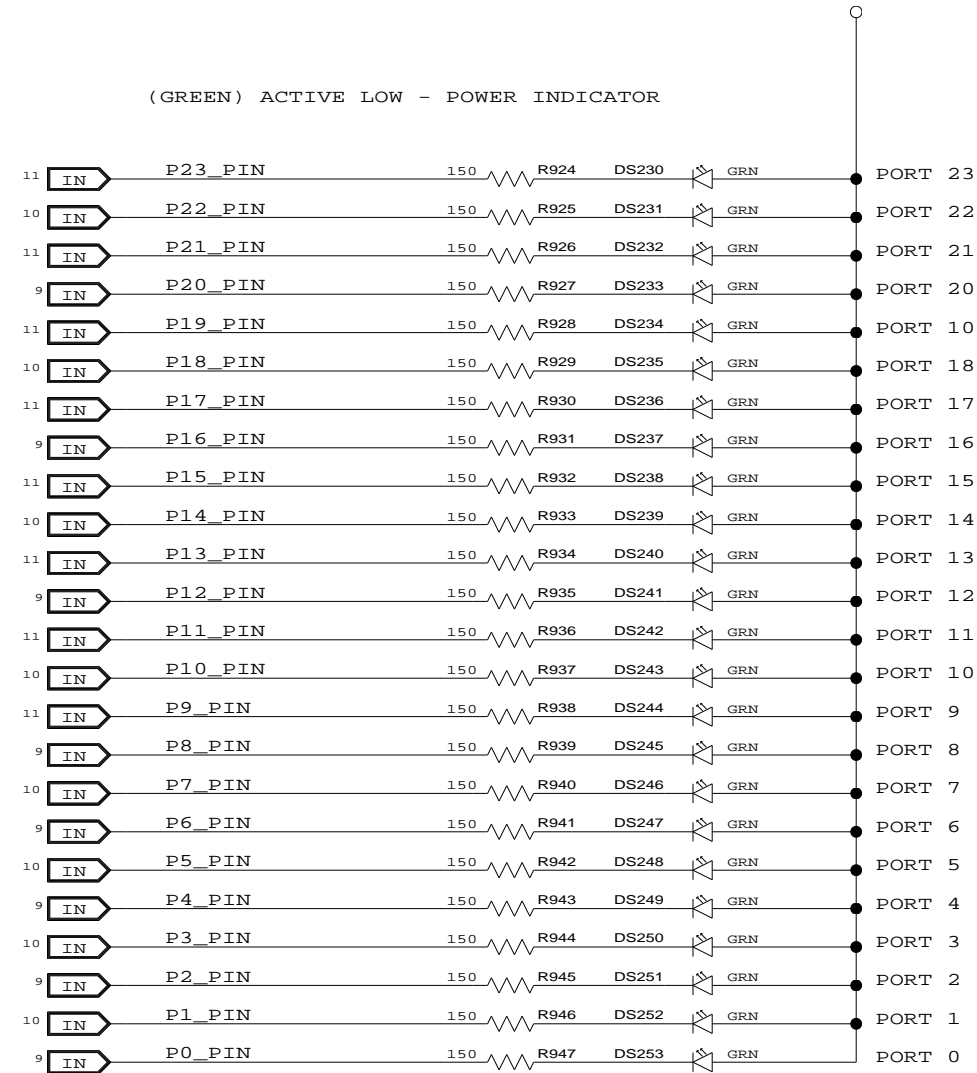
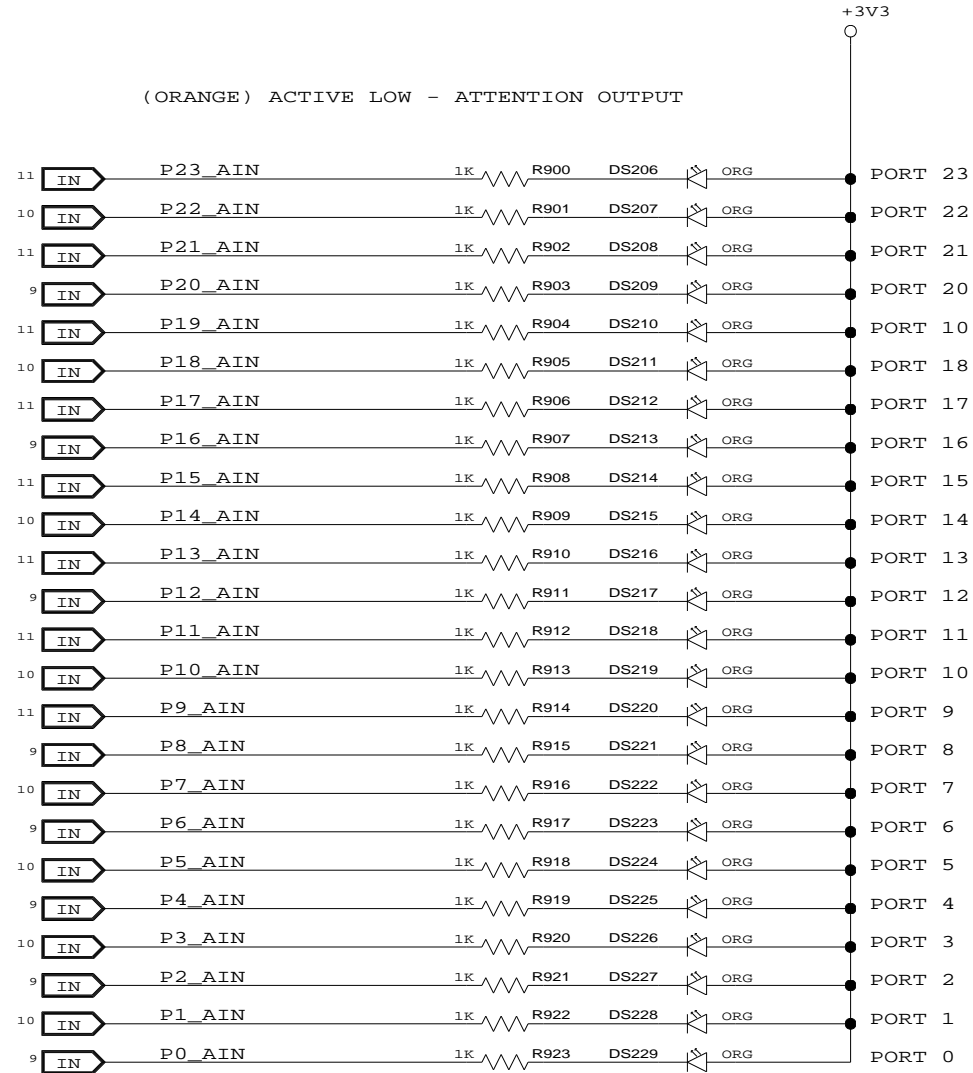
B

A

A



<p style="font-size: 8px; margin-top: 5px;">CONFIDENTIAL PROPERTY OF INTEGRATED DEVICE TECHNOLOGY, INC. 6024 SILVER CREEK VALLEY ROAD. SAN JOSE, CA 95138 COPYRIGHT (C) 2010 IDT</p>	TITLE EB-LOGAN-23			
	LED - PORT STATUS (2 OF 7)			
	SIZE	DRAWING NO.	FAB P/N	REV.
	B	SCH-PESEB-001	18-691-001	2.0
AUTHOR		CHECKED BY		
Tony Tran		Derek Huang		
Thu Jul 01 15:01:02 2010			SHEET 35 OF 52	



CONFIDENTIAL PROPERTY OF INTEGRATED DEVICE TECHNOLOGY, INC.  
6024 SILVER CREEK VALLEY ROAD, SAN JOSE, CA 95138  
COPYRIGHT (C) 2010 IDT

TITLE EB-LOGAN-23			
LED - PORT STATUS (3 OF 7)			
SIZE	DRAWING NO.	FAB P/N	REV.
B	SCH-PESEB-001	18-691-001	2.0
AUTHOR		CHECKED BY	
Tony Tran		Derek Huang	
Thu Jul 01 15:01:02 2010			SHEET 36 OF 52

D

D

C

C

B

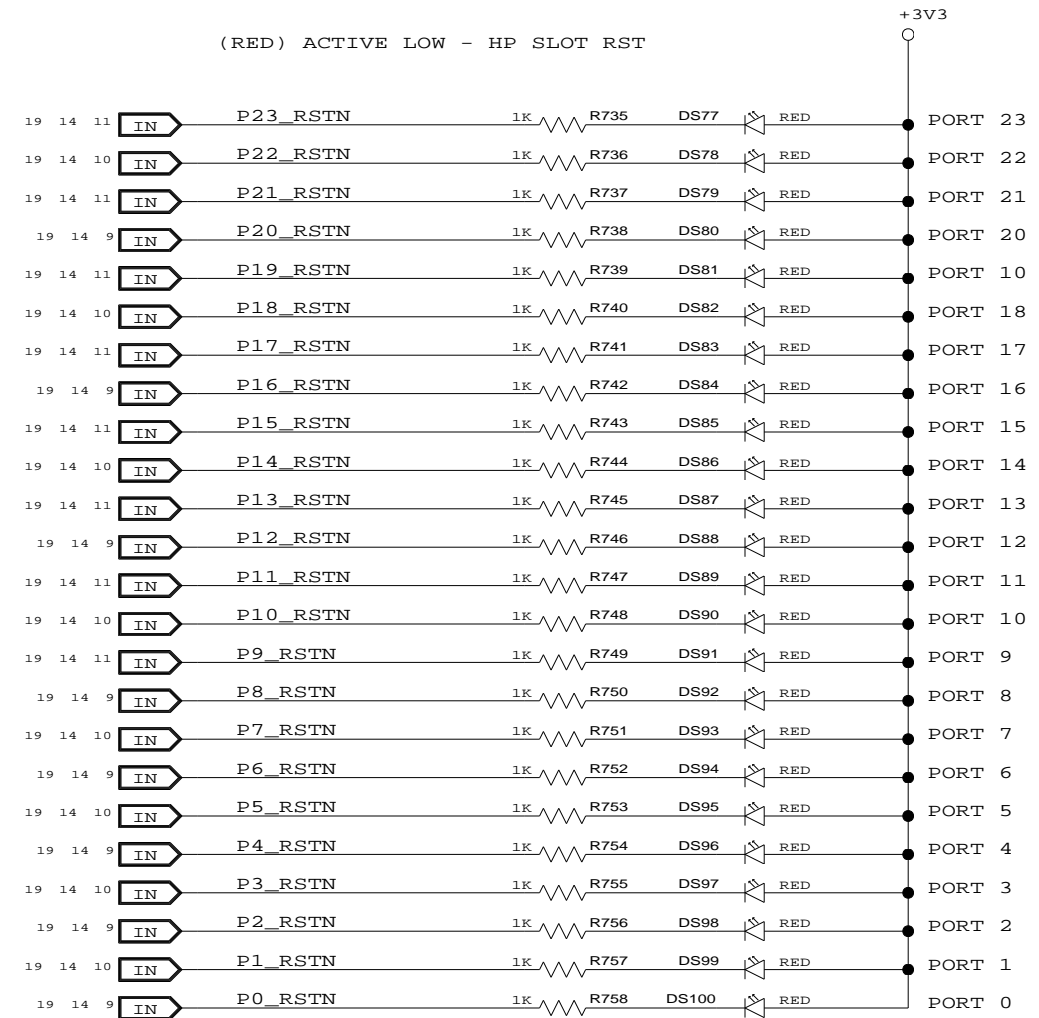
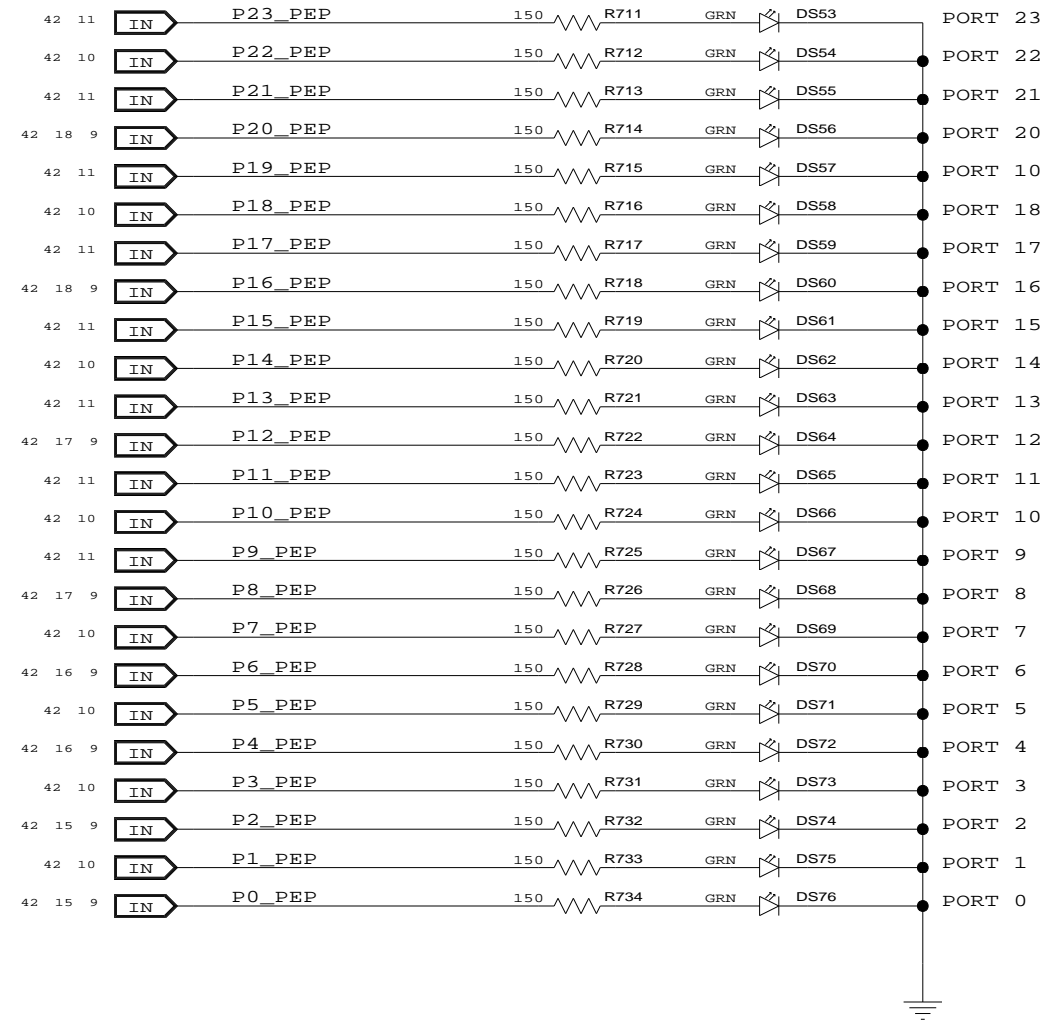
B


A

A

(GREEN) ACTIVE HIGH - POWER ENABLE

(RED) ACTIVE LOW - HP SLOT RST



		TITLE EB-LOGAN-23		
		LED - PORT STATUS (4 OF 7)		
SIZE B	DRAWING NO. SCH-PESEB-001	FAB P/N 18-691-001	REV. 2.0	
AUTHOR Tony Tran		CHECKED BY Derek Huang		
Thu Jul 01 15:01:03 2010			SHEET 37 OF 52	
<small>CONFIDENTIAL PROPERTY OF INTEGRATED DEVICE TECHNOLOGY, INC.                  6024 SILVER CREEK VALLEY ROAD. SAN JOSE, CA 95138                  COPYRIGHT (C) 2010 IDT</small>				

D

D

C

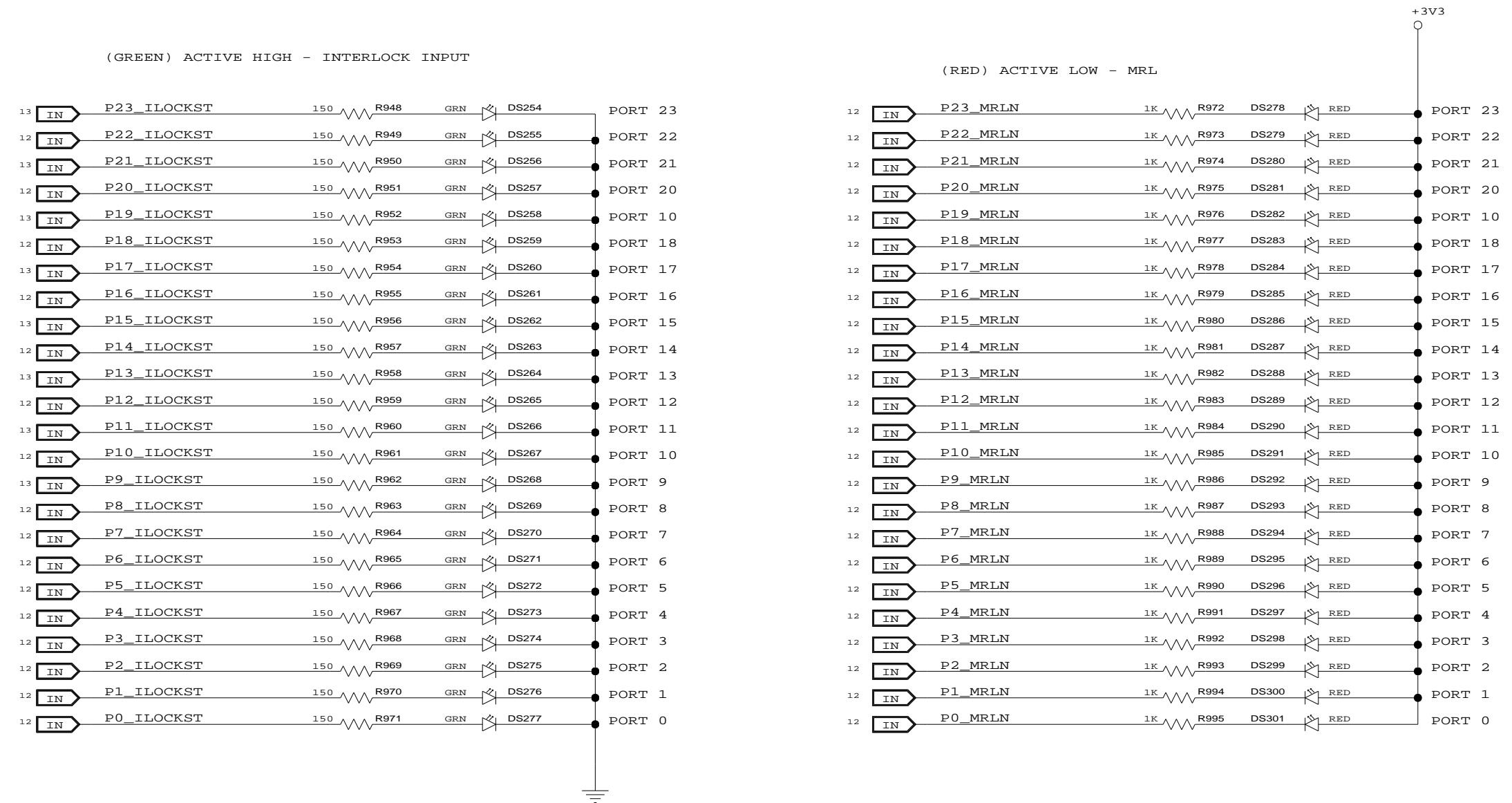
C


B

B

A

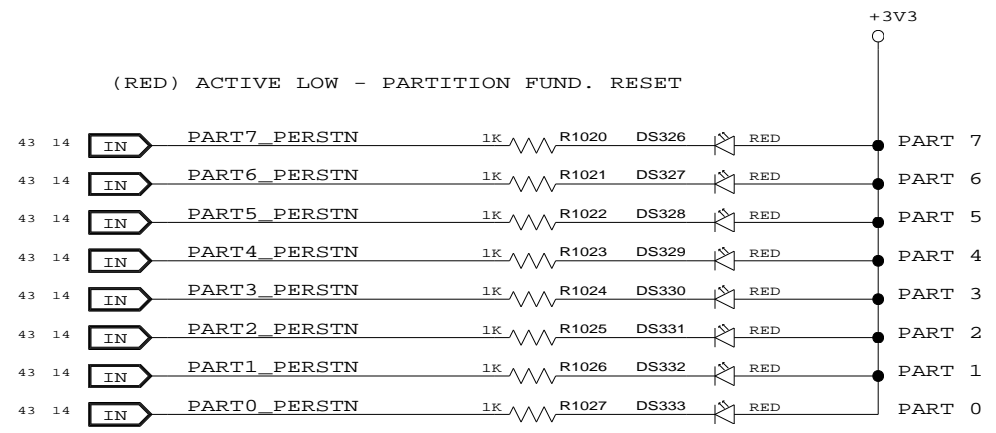
A



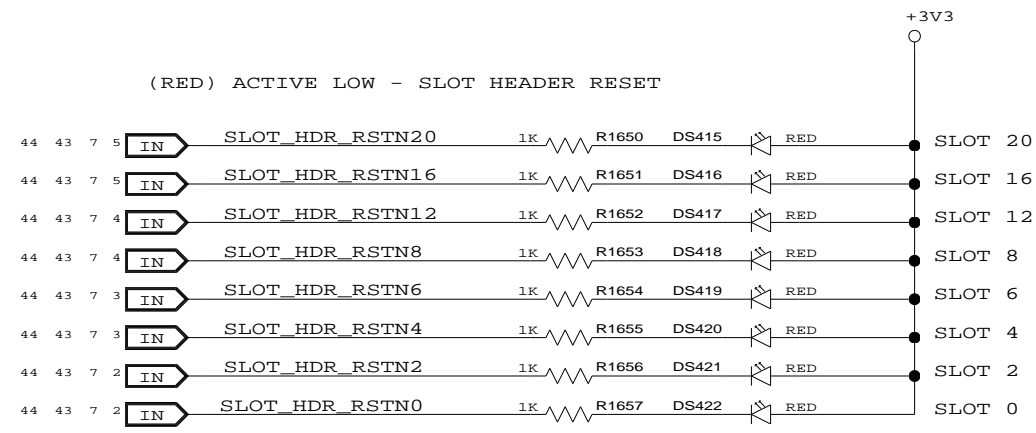
		TITLE EB-LOGAN-23		
		LED - PORT STATUS (5 OF 7)		
SIZE	DRAWING NO.	FAB P/N	REV.	
B	SCH-PESEB-001	18-691-001	2.0	
AUTHOR		CHECKED BY		
Tony Tran		Derek Huang		
Thu Jul 01 15:01:03 2010			SHEET 38 OF 52	

CONFIDENTIAL PROPERTY OF INTEGRATED DEVICE TECHNOLOGY, INC.  
6024 SILVER CREEK VALLEY ROAD. SAN JOSE, CA 95138  
COPYRIGHT (C) 2010 IDT

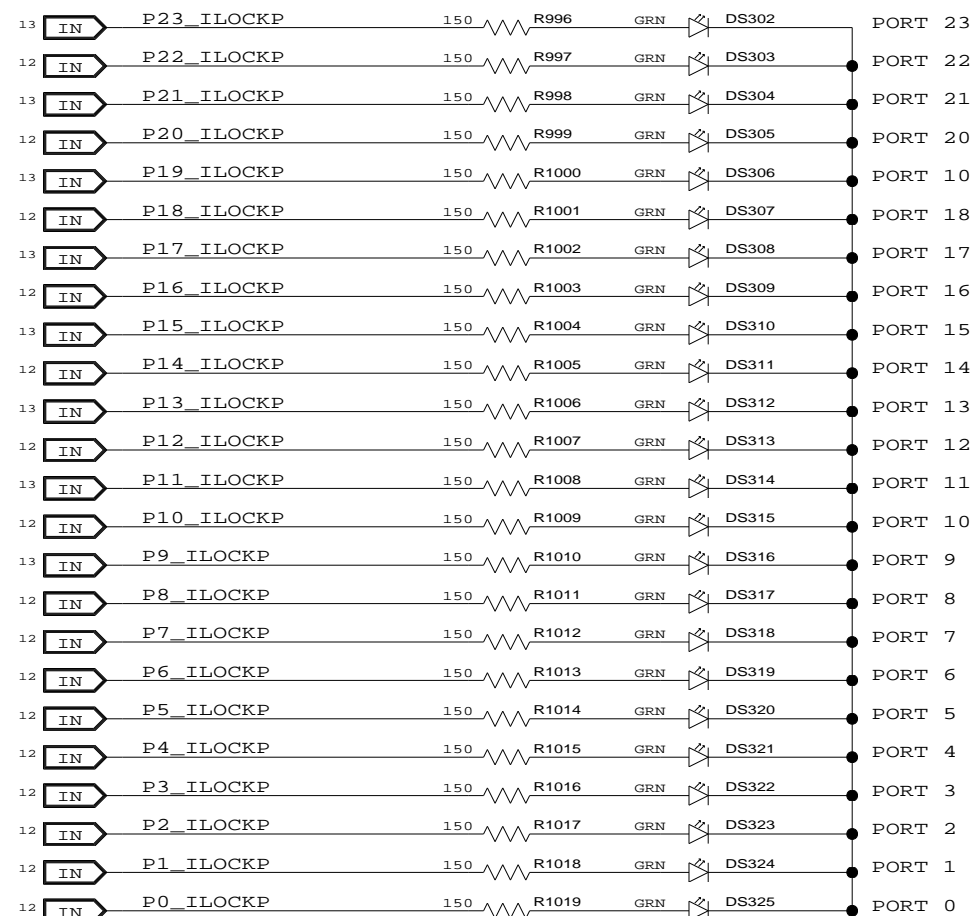
(RED) ACTIVE LOW - PARTITION FUND. RESET



(RED) ACTIVE LOW - SLOT HEADER RESET



(GREEN) ACTIVE HIGH - INTERLOCK OUTPUT



CONFIDENTIAL PROPERTY OF INTEGRATED DEVICE TECHNOLOGY, INC.  
6024 SILVER CREEK VALLEY ROAD. SAN JOSE, CA 95138  
COPYRIGHT (C) 2010 IDT

TITLE EB-LOGAN-23

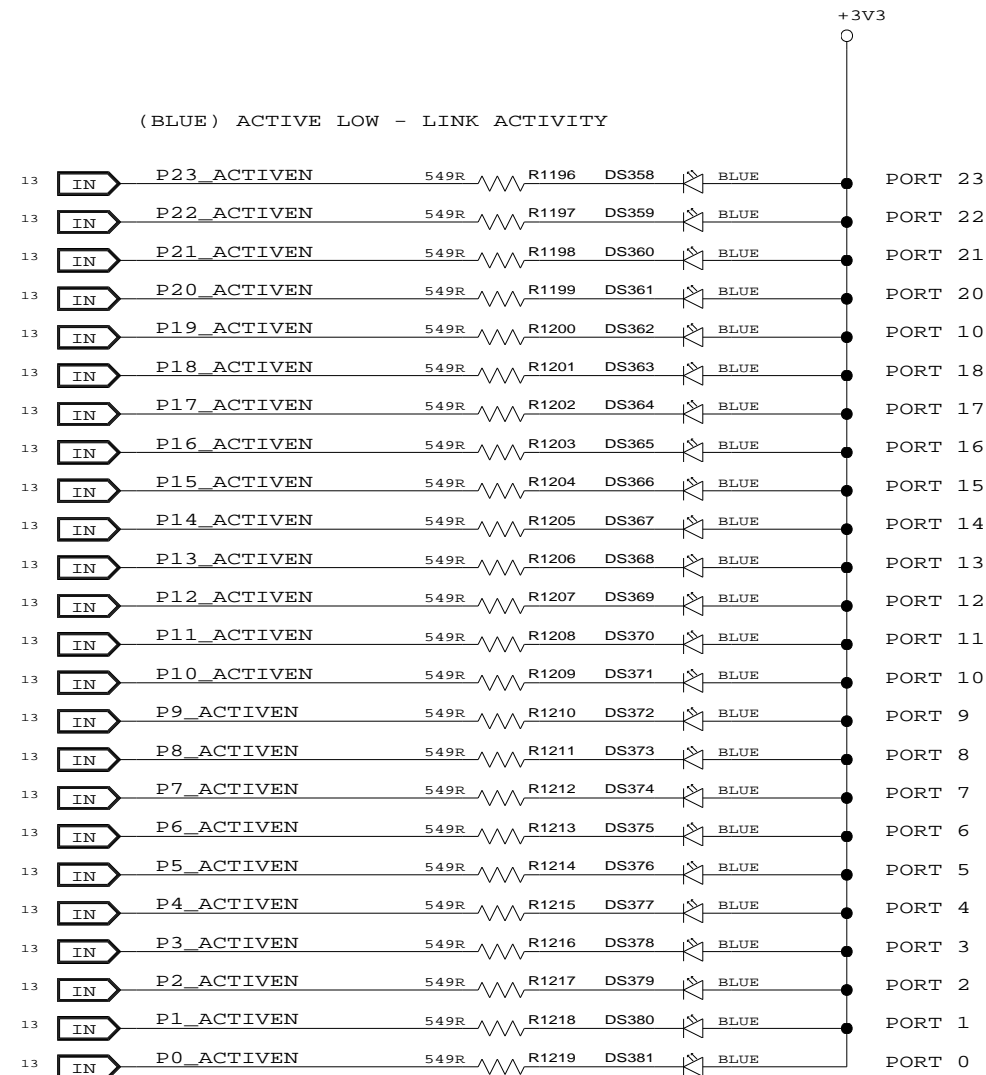
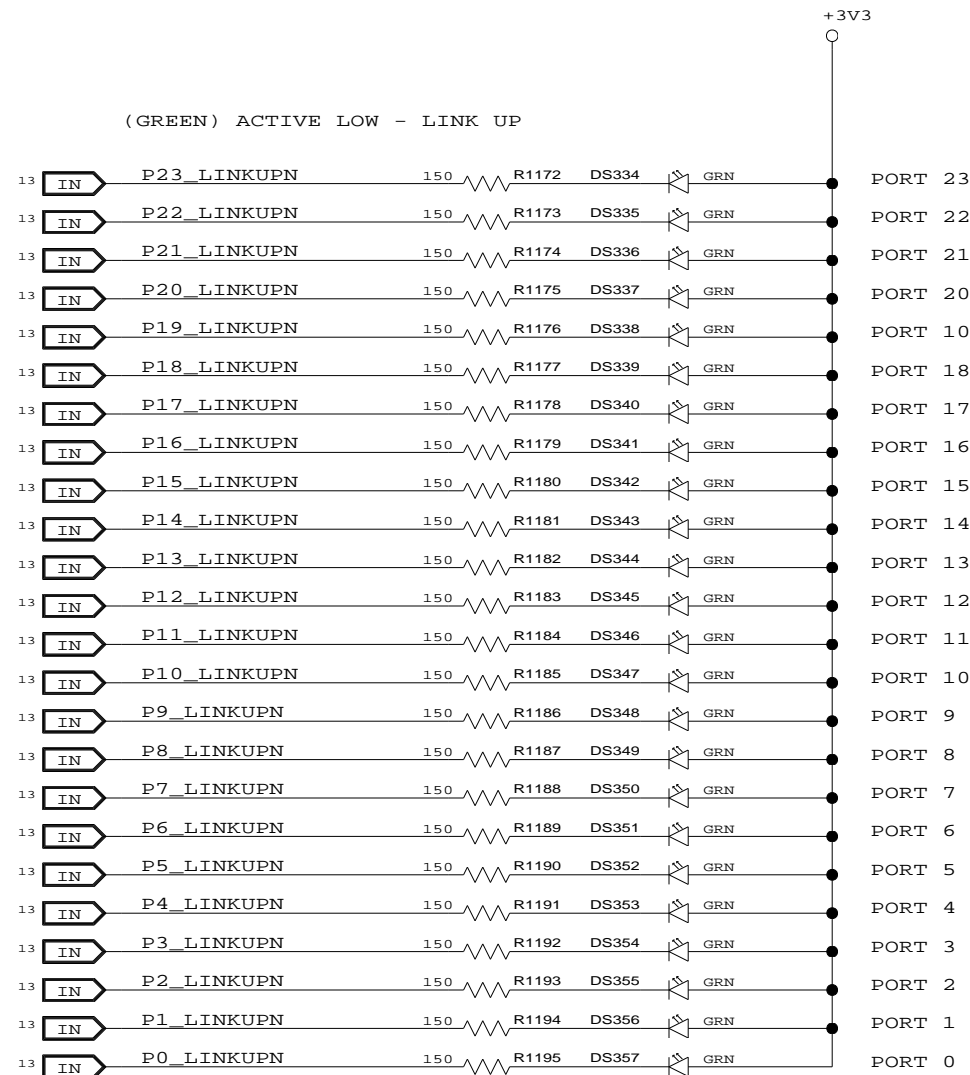
LED - PORT STATUS (6 OF 7)

SIZE B	DRAWING NO. SCH-PESEB-001	FAB P/N 18-691-001	REV. 2.0
-----------	------------------------------	-----------------------	-------------

AUTHOR Tony Tran	CHECKED BY Derek Huang
---------------------	---------------------------

Thu Jul 01 15:01:03 2010

SHEET 39 OF 52



CONFIDENTIAL PROPERTY OF INTEGRATED DEVICE TECHNOLOGY, INC.  
6024 SILVER CREEK VALLEY ROAD, SAN JOSE, CA 95138  
COPYRIGHT (C) 2010 IDT

TITLE EB-LOGAN-23

LED - PORT STATUS (7 OF 7)

SIZE B	DRAWING NO. SCH-PESEB-001	FAB P/N 18-691-001	REV. 2.0
-----------	------------------------------	-----------------------	-------------

AUTHOR Tony Tran	CHECKED BY Derek Huang
---------------------	---------------------------

Thu Jul 01 15:01:04 2010

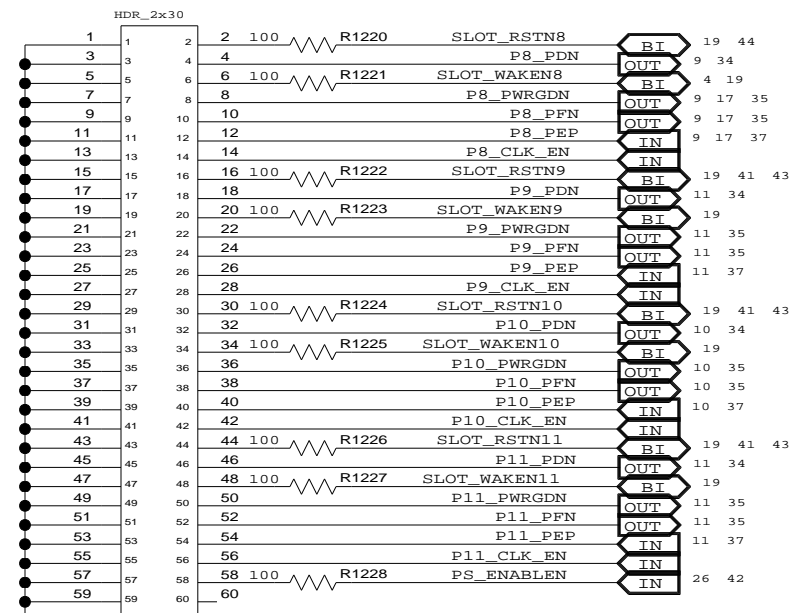
SHEET 40 OF 52



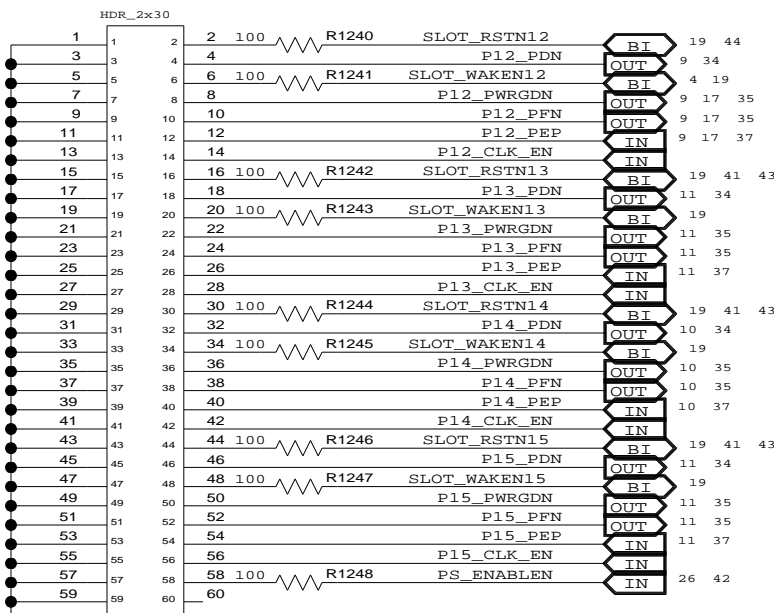


SLOT\_RESETN  
CARD\_PRESENTN  
WAKEN  
POWERGOOD  
PWR\_FLTN  
PWR\_ENABLE  
CLOCK\_ENABLEN

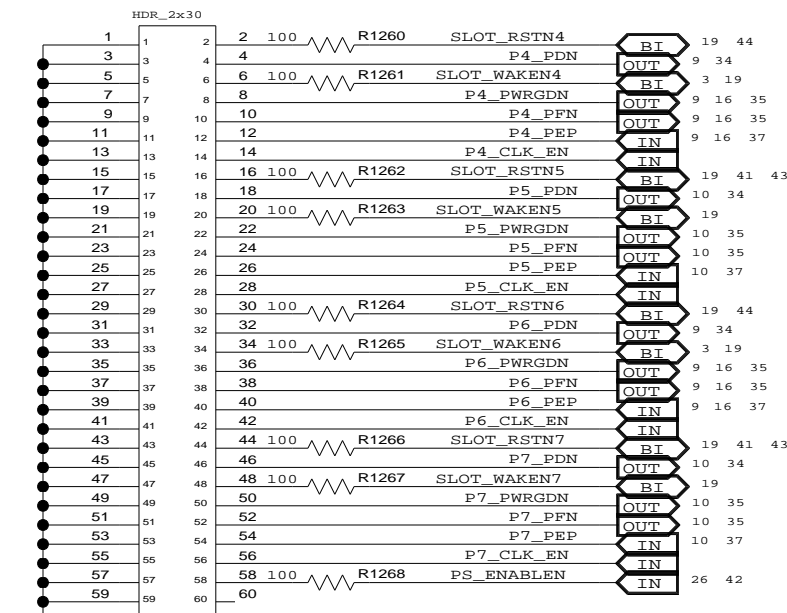
PS\_ENABLEN  
CABLE SENSE



PORTS 8,9,10,11



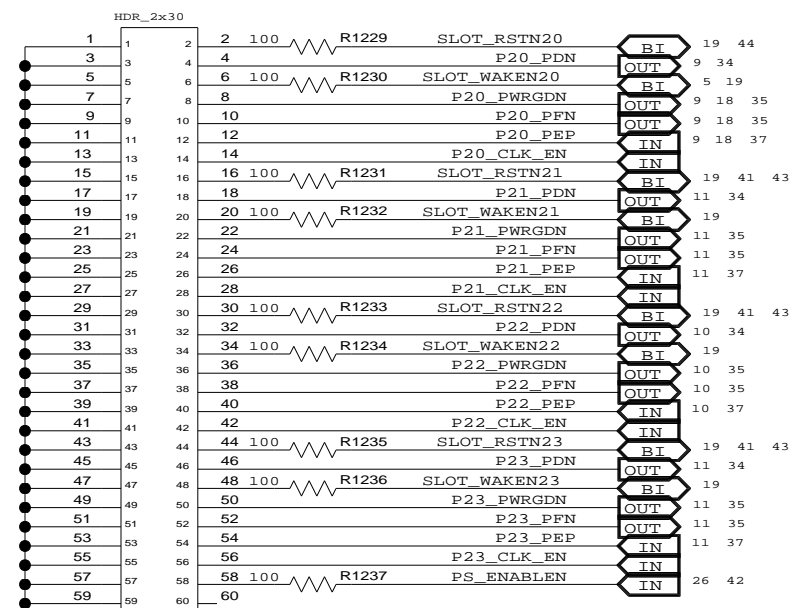
PORTS 12,13,14,15



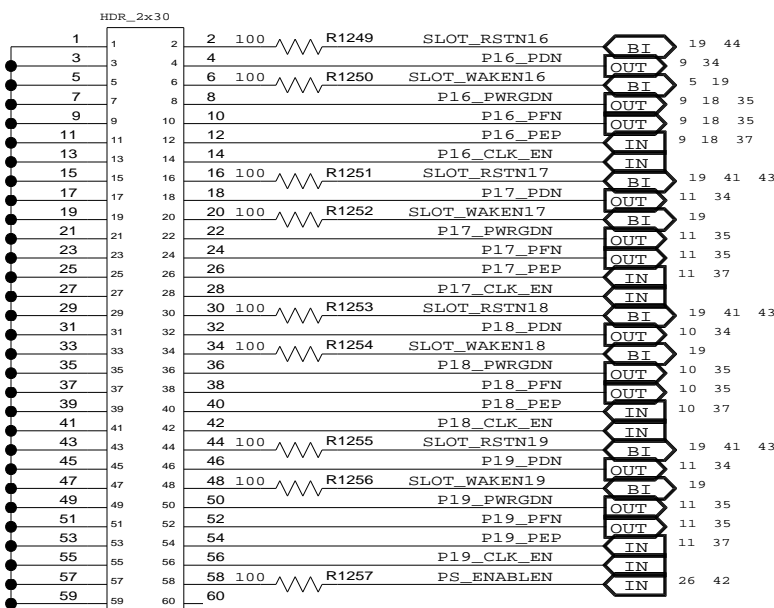
PORTS 4,5,6,7

SLOT\_RESETN  
CARD\_PRESENTN  
WAKEN  
POWERGOOD  
PWR\_FLTN  
PWR\_ENABLE  
CLOCK\_ENABLEN

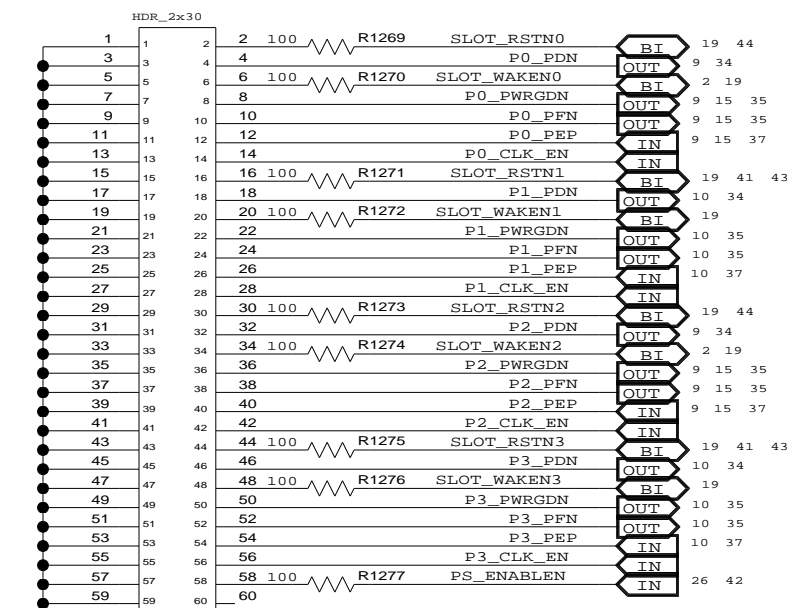
PS\_ENABLEN  
CABLE SENSE



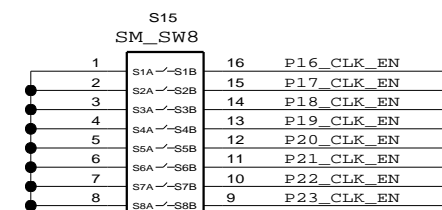
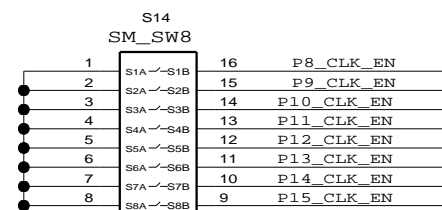
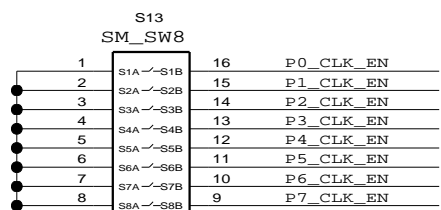
PORTS 20,21,22,23



PORTS 16,17,18,19

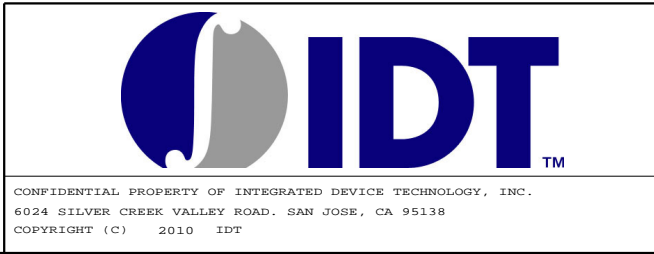
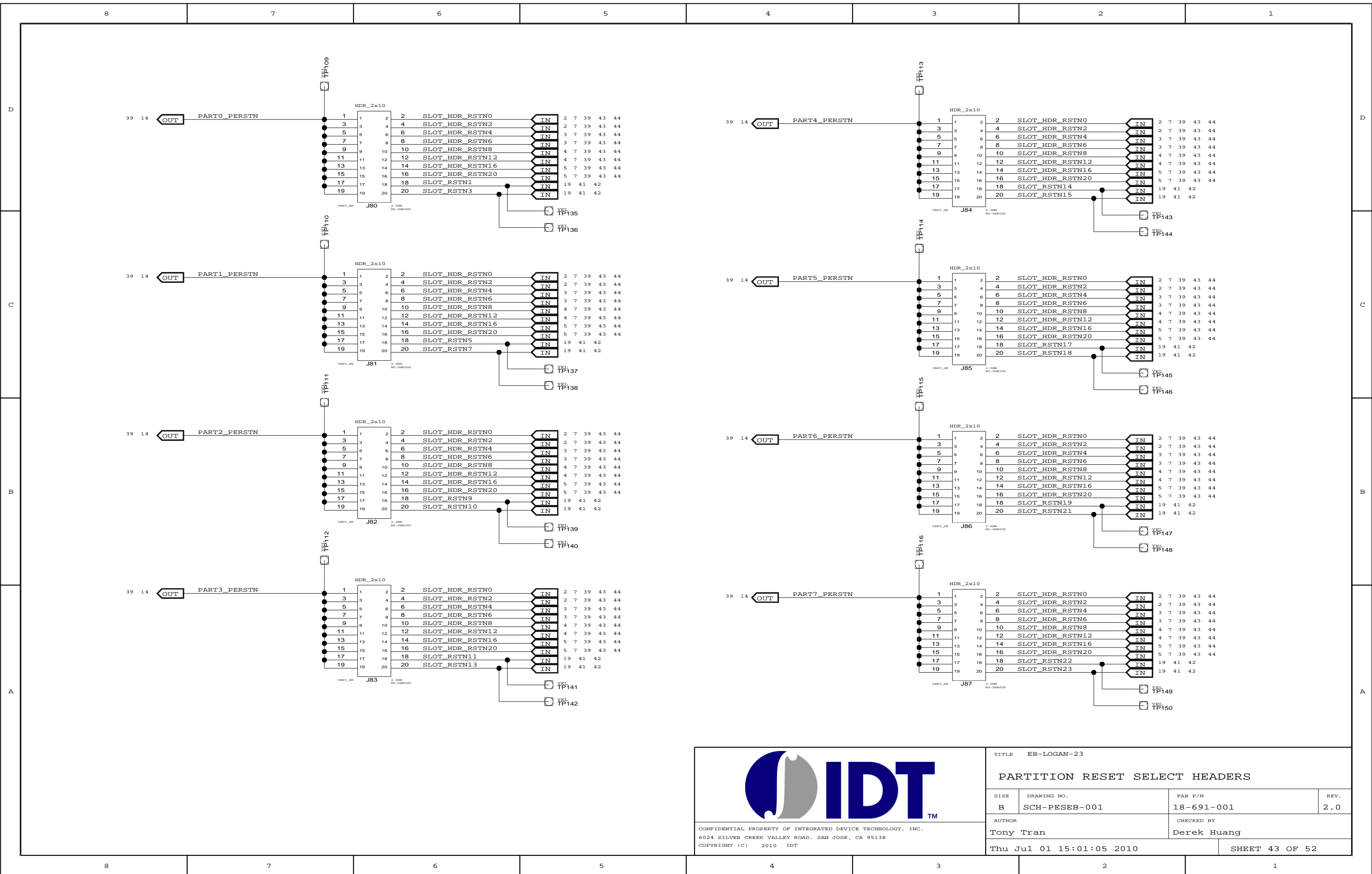


PORTS 0,1,2,3

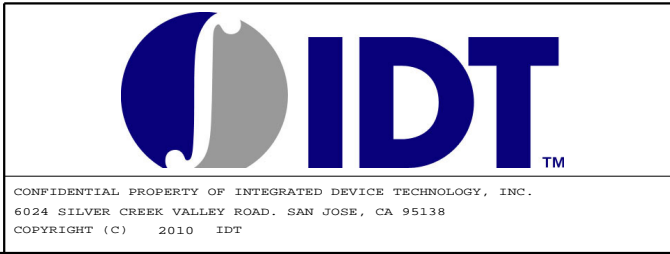
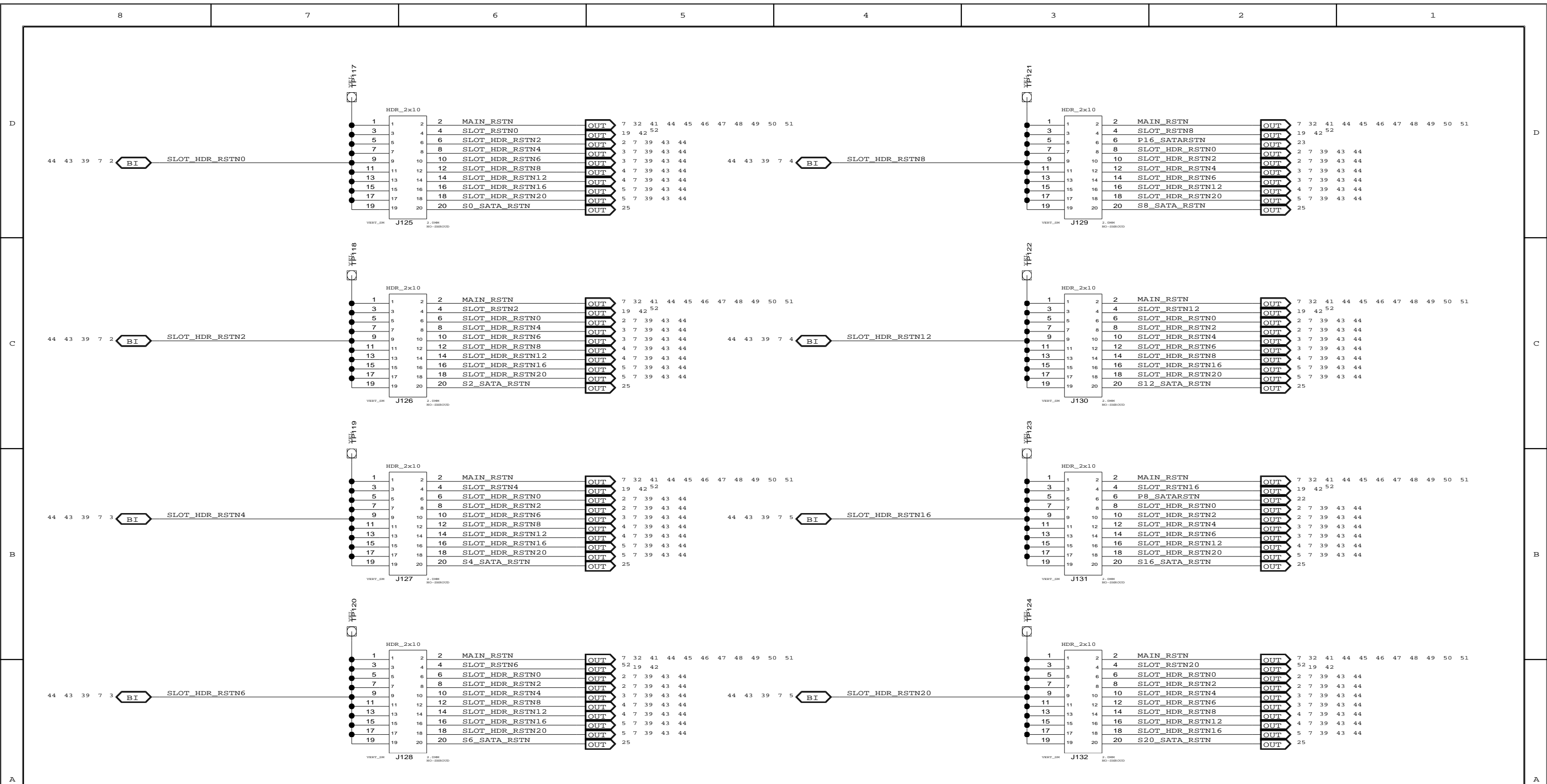


CONFIDENTIAL PROPERTY OF INTEGRATED DEVICE TECHNOLOGY, INC.  
6024 SILVER CREEK VALLEY ROAD, SAN JOSE, CA 95138  
COPYRIGHT (C) 2010 IDT

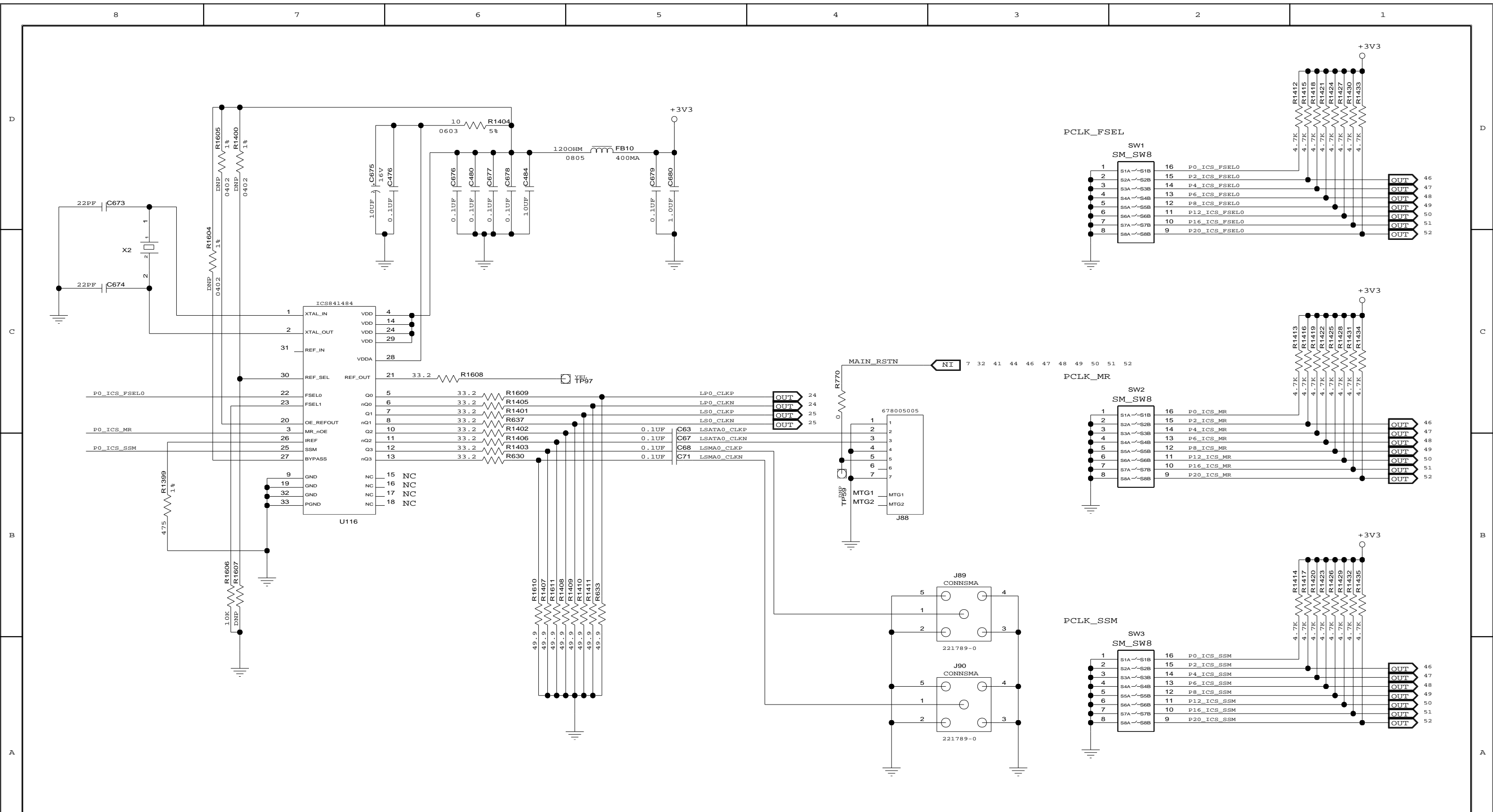
TITLE EB-LOGAN-23			
SIDEBAND CONNECTORS			
SIZE	DRAWING NO.	FAB P/N	REV.
B	SCH-PESEB-001	18-691-001	2.0
AUTHOR		CHECKED BY	
Tony Tran		Derek Huang	
Thu Jul 01 15:01:04 2010			SHEET 42 OF 52




TITLE EB-LOGAN-23			
PARTITION RESET SELECT HEADERS			
SIZE	DRAWING NO.	FAB P/N	REV.
B	SCH-PESEB-001	18-691-001	2.0
AUTHOR		CHECKED BY	
Tony Tran		Derek Huang	
Thu Jul 01 15:01:05 2010			SHEET 43 OF 52



TITLE EB-LOGAN-23			
<b>SLOT RESET SELECT HEADERS</b>			
SIZE	DRAWING NO.	FAB P/N	REV.
B	SCH-PESEB-001	18-691-001	2.0
AUTHOR		CHECKED BY	
Tony Tran		Derek Huang	
Thu Jul 01 15:01:05 2010			SHEET 44 OF 52



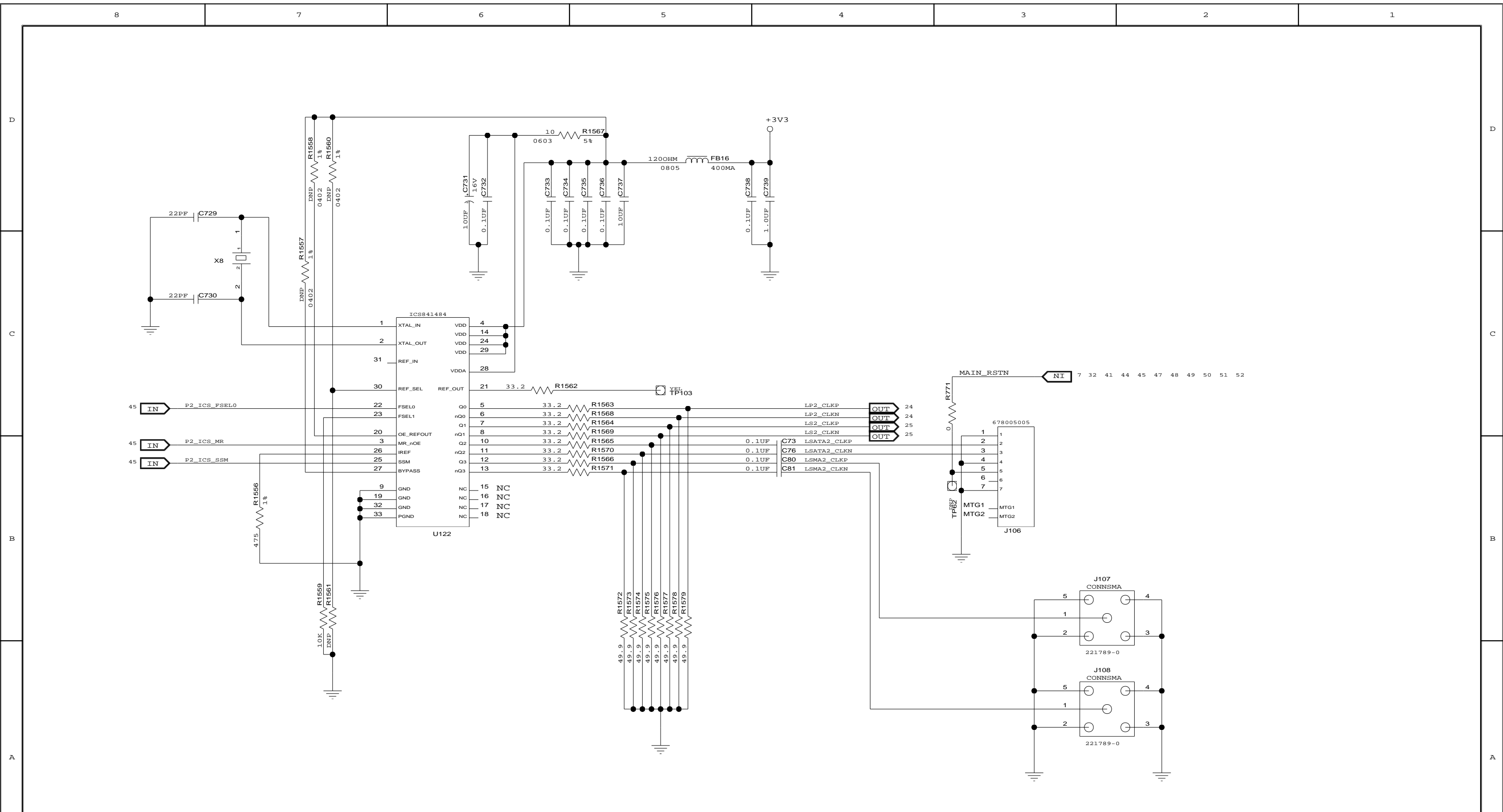



CONFIDENTIAL PROPERTY OF INTEGRATED DEVICE TECHNOLOGY, INC.  
6024 SILVER CREEK VALLEY ROAD, SAN JOSE, CA 95138  
COPYRIGHT (C) 2010 IDT

TITLE EB-LOGAN-23

### PORT 0 CLOCK GENERATOR

SIZE	DRAWING NO.	FAB P/N	REV.
B	SCH-PESEB-001	18-691-001	2.0
AUTHOR Tony Tran		CHECKED BY Derek Huang	
Thu Jul 01 15:01:05 2010			SHEET 45 OF 52



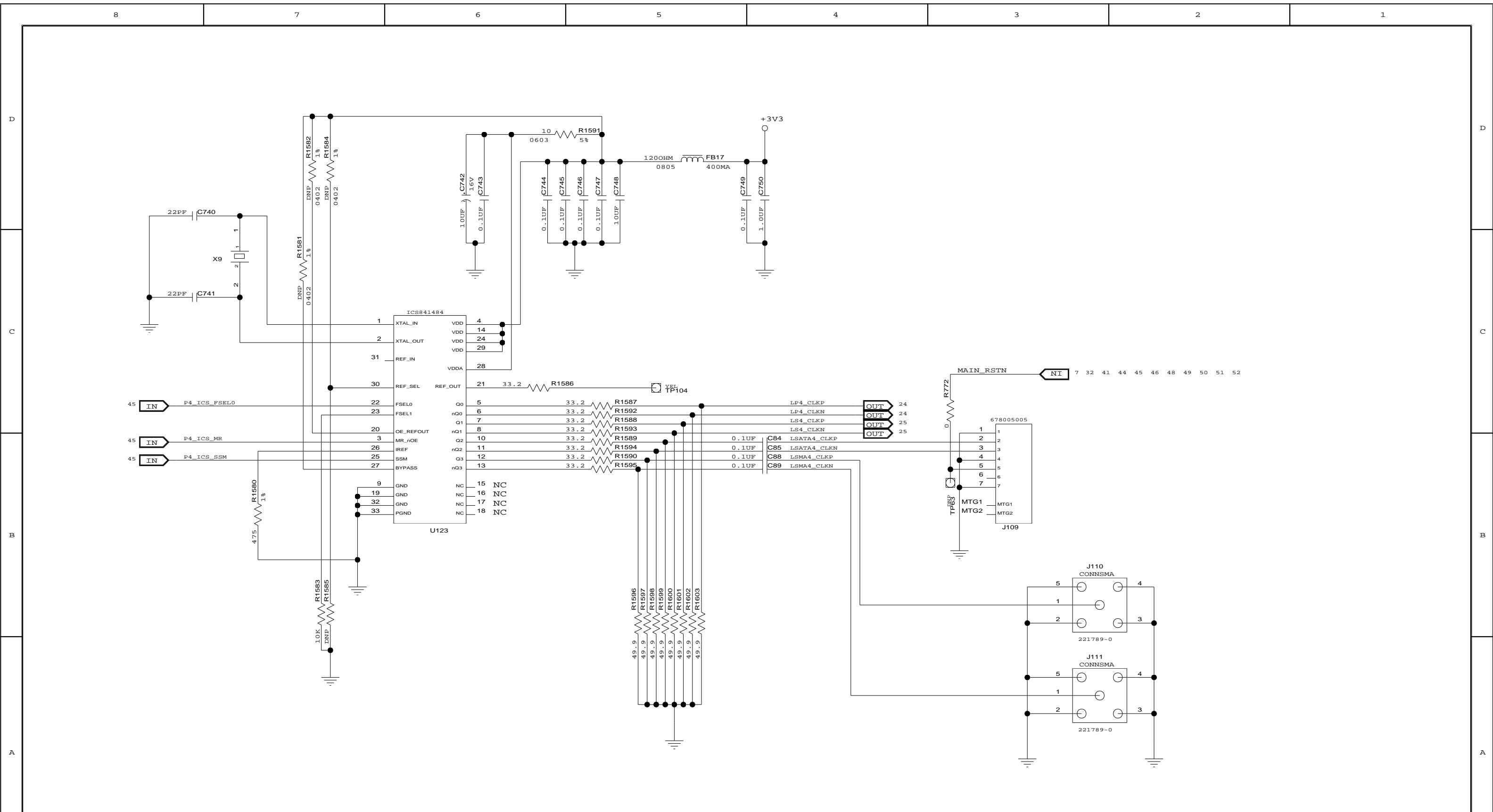



CONFIDENTIAL PROPERTY OF INTEGRATED DEVICE TECHNOLOGY, INC.  
6024 SILVER CREEK VALLEY ROAD. SAN JOSE, CA 95138  
COPYRIGHT (C) 2010 IDT

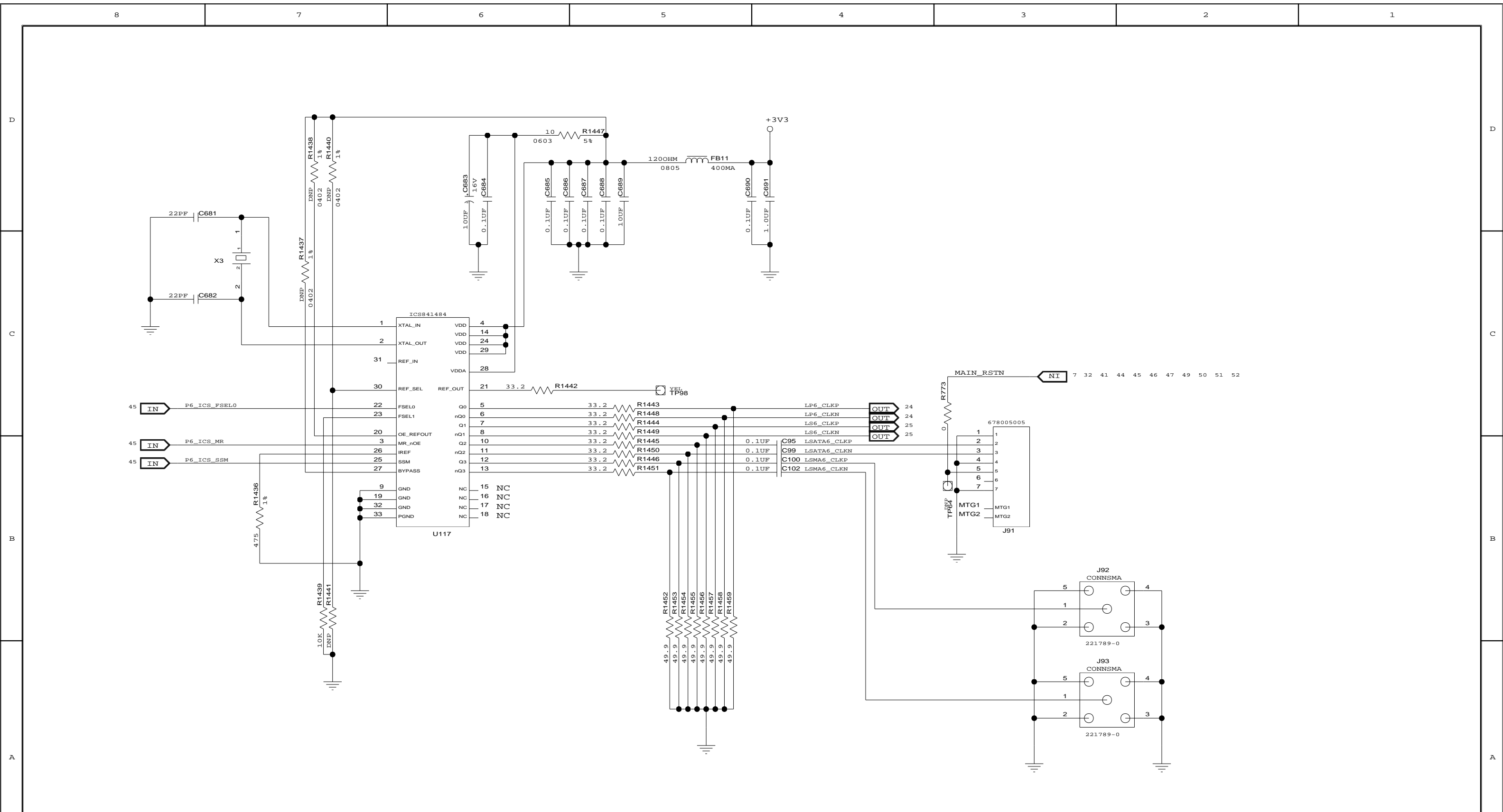
TITLE EB-LOGAN-23


### PORT 2 CLOCK GENERATOR

SIZE	DRAWING NO.	FAB P/N	REV.
B	SCH-PESEB-001	18-691-001	2.0
AUTHOR Tony Tran		CHECKED BY Derek Huang	
Thu Jul 01 15:01:06 2010			SHEET 46 OF 52



		TITLE EB-LOGAN-23	
		PORT 4 CLOCK GENERATOR	
SIZE B	DRAWING NO. SCH-PESEB-001	FAB P/N 18-691-001	REV. 2.0
AUTHOR Tony Tran		CHECKED BY Derek Huang	
CONFIDENTIAL PROPERTY OF INTEGRATED DEVICE TECHNOLOGY, INC. 6024 SILVER CREEK VALLEY ROAD. SAN JOSE, CA 95138 COPYRIGHT (C) 2010 IDT		Thu Jul 01 15:01:06 2010 SHEET 47 OF 52	





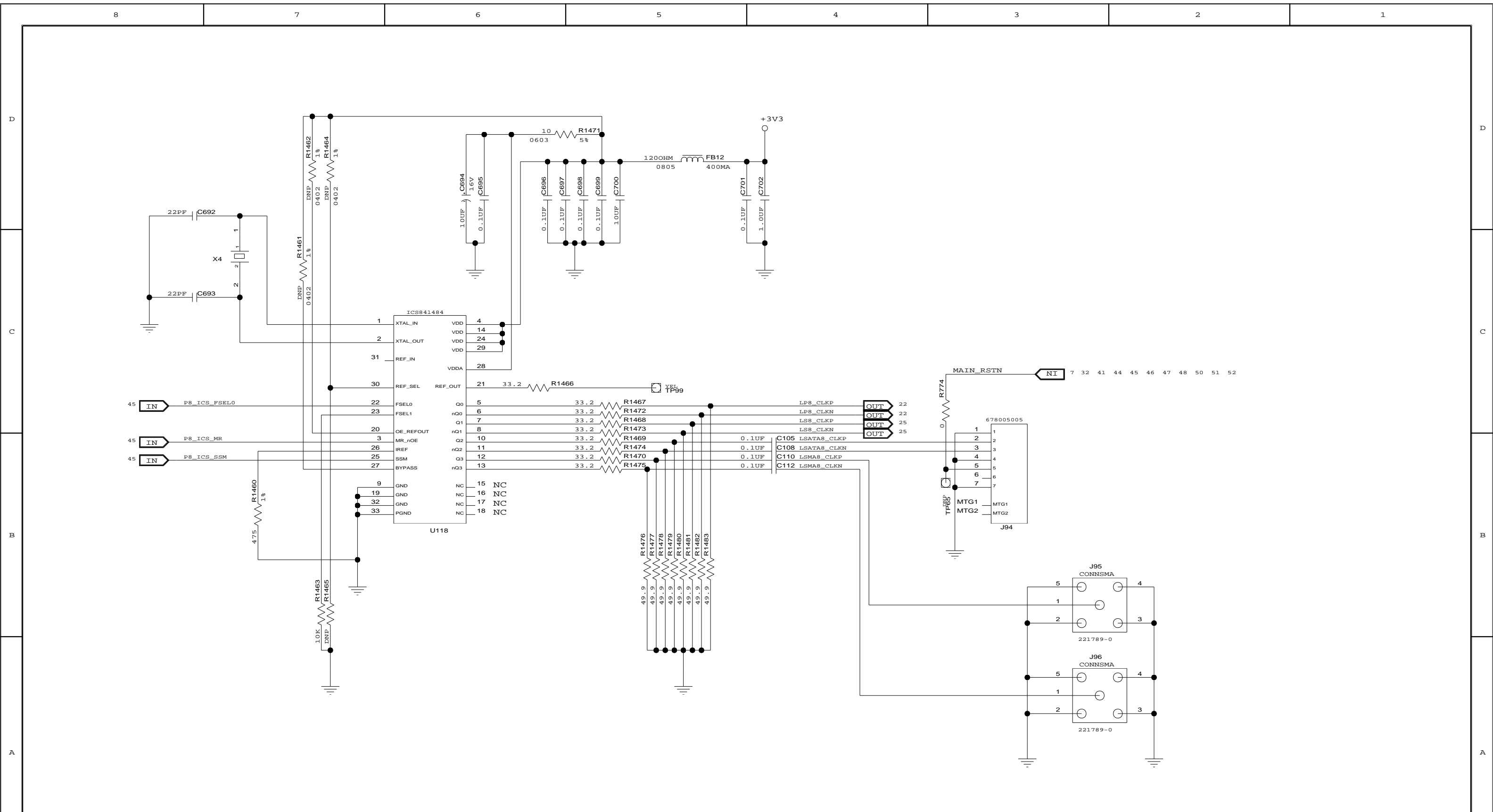
CONFIDENTIAL PROPERTY OF INTEGRATED DEVICE TECHNOLOGY, INC.  
6024 SILVER CREEK VALLEY ROAD, SAN JOSE, CA 95138  
COPYRIGHT (C) 2010 IDT


TITLE EB-LOGAN-23

### PORT 6 CLOCK GENERATOR

SIZE	DRAWING NO.	FAB P/N	REV.
B	SCH-PESEB-001	18-691-001	2.0
AUTHOR		CHECKED BY	
Tony Tran		Derek Huang	
Thu Jul 01 15:01:06 2010			SHEET 48 OF 52







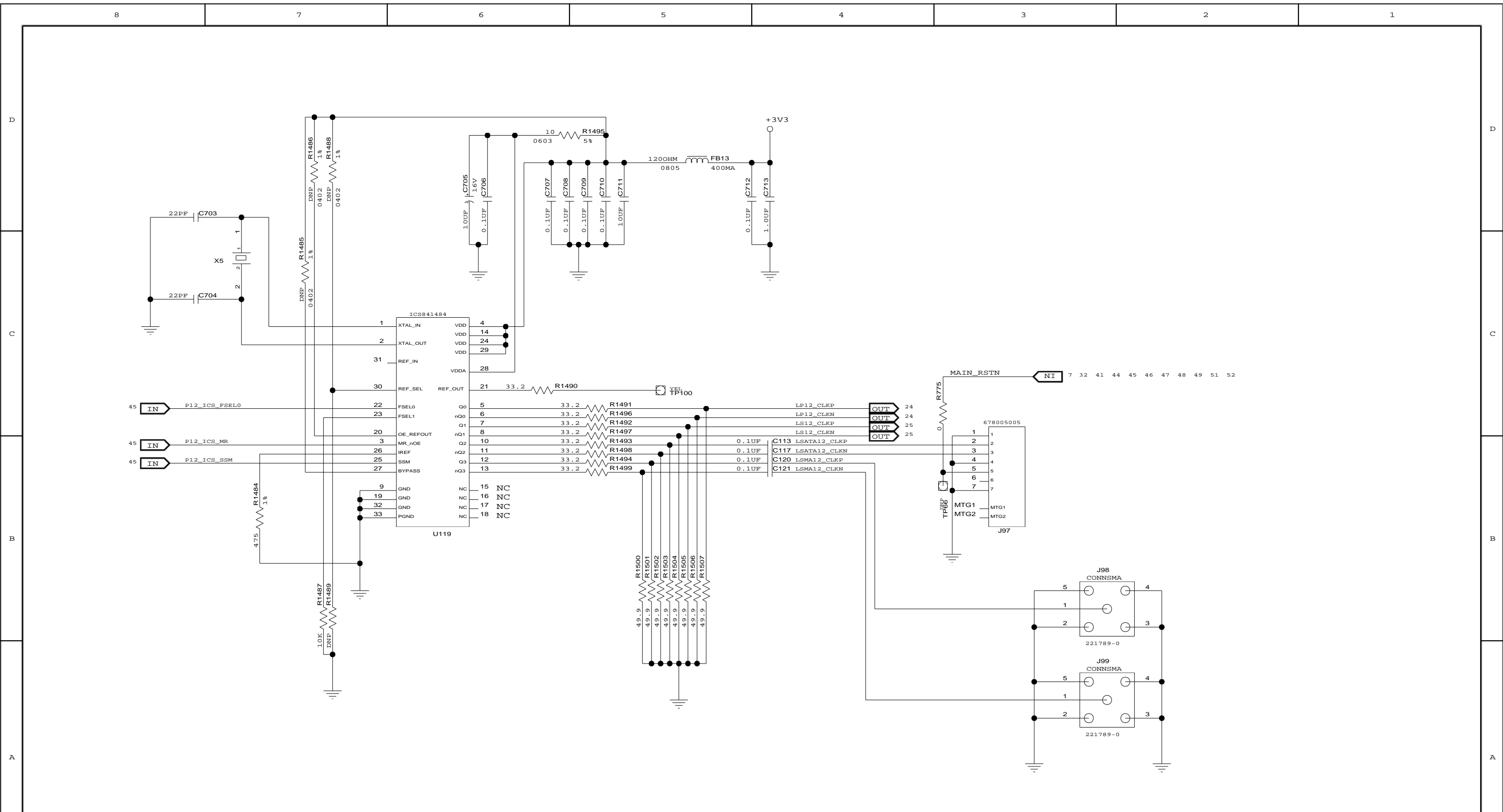
CONFIDENTIAL PROPERTY OF INTEGRATED DEVICE TECHNOLOGY, INC.  
6024 SILVER CREEK VALLEY ROAD, SAN JOSE, CA 95138  
COPYRIGHT (C) 2010 IDT


TITLE EB-LOGAN-23

### PORT 8 CLOCK GENERATOR

SIZE	DRAWING NO.	FAB P/N	REV.
B	SCH-PESEB-001	18-691-001	2.0
AUTHOR		CHECKED BY	
Tony Tran		Derek Huang	

Thu Jul 01 15:01:06 2010



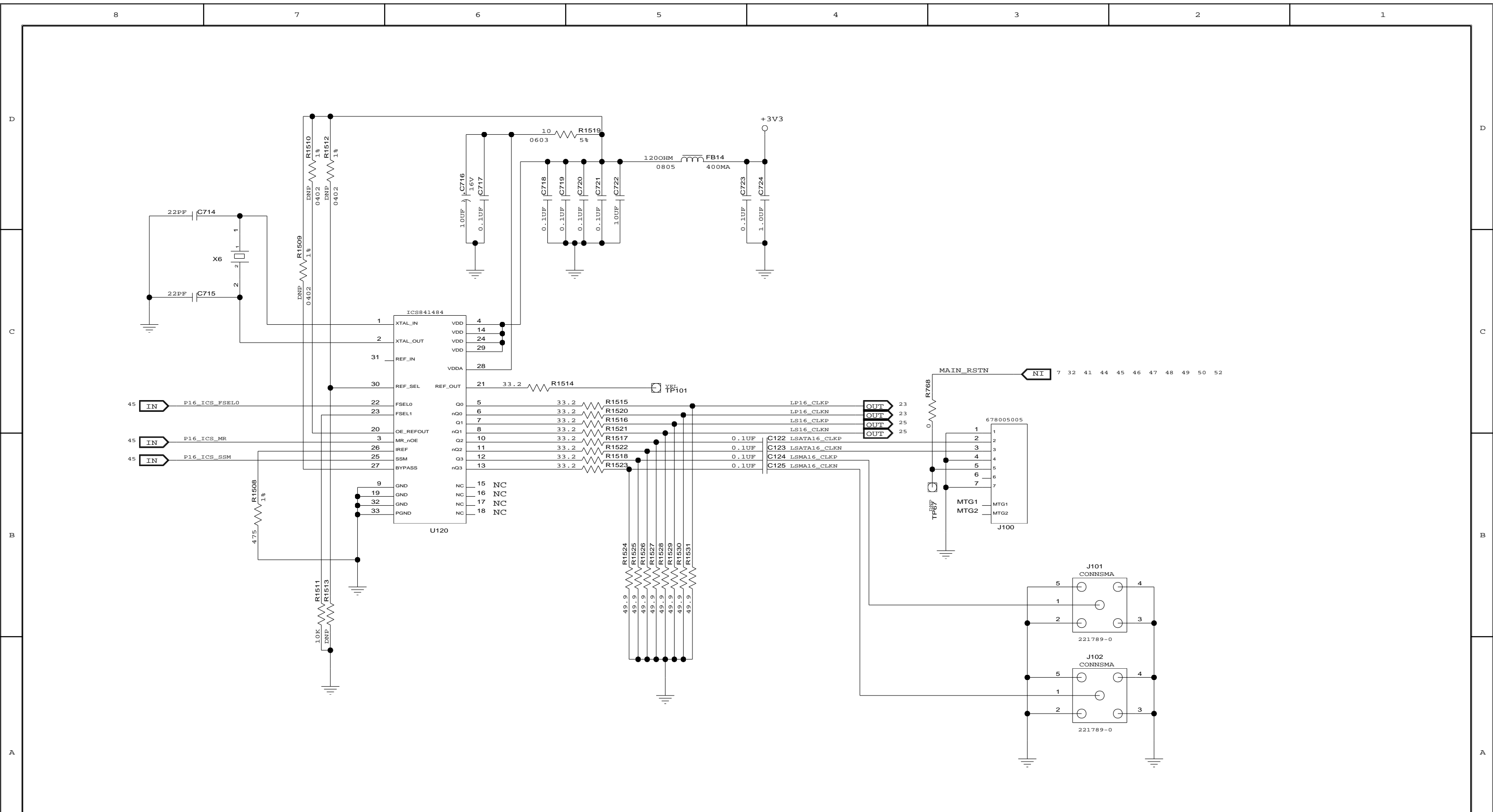



CONFIDENTIAL PROPERTY OF INTEGRATED DEVICE TECHNOLOGY, INC.  
6024 SILVER CREEK VALLEY ROAD. SAN JOSE, CA 95138  
COPYRIGHT (C) 2010 IDT

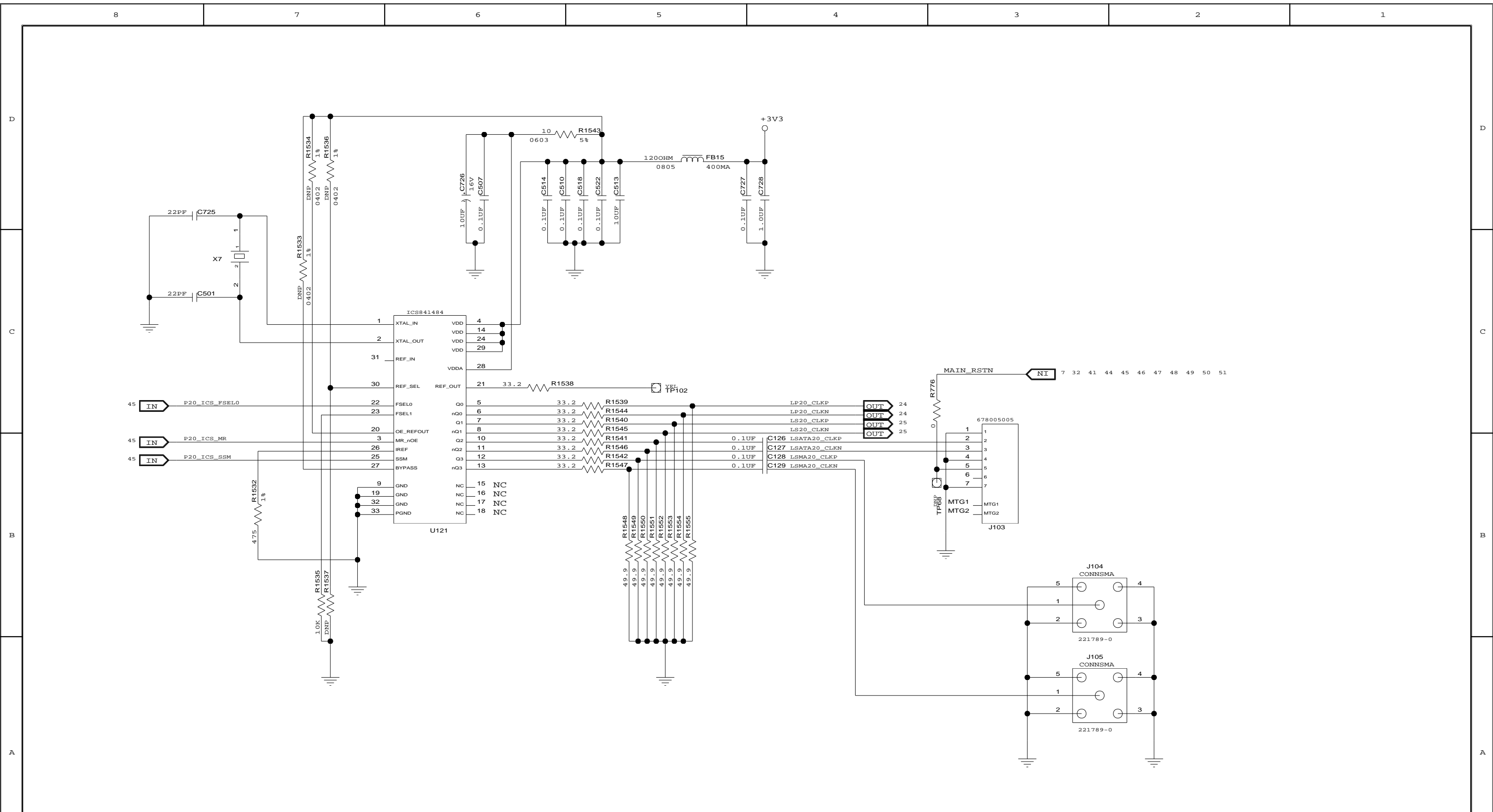
TITLE EB-LOGAN-23


### PORT 12 CLOCK GENERATOR

SIZE	DRAWING NO.	FAB P/N	REV.
B	SCH-PESEB-001	18-691-001	2.0
AUTHOR		CHECKED BY	
Tony Tran		Derek Huang	
Thu Jul 01 15:01:07 2010			SHEET 50 OF 52



		TITLE EB-LOGAN-23	
		PORT 16 CLOCK GENERATOR	
SIZE B	DRAWING NO. SCH-PESEB-001	FAB P/N 18-691-001	REV. 2.0
AUTHOR Tony Tran		CHECKED BY Derek Huang	
CONFIDENTIAL PROPERTY OF INTEGRATED DEVICE TECHNOLOGY, INC. 6024 SILVER CREEK VALLEY ROAD. SAN JOSE, CA 95138 COPYRIGHT (C) 2010 IDT		Thu Jul 01 15:01:07 2010 SHEET 51 OF 52	





CONFIDENTIAL PROPERTY OF INTEGRATED DEVICE TECHNOLOGY, INC.  
6024 SILVER CREEK VALLEY ROAD. SAN JOSE, CA 95138  
COPYRIGHT (C) 2010 IDT

TITLE EB-LOGAN-23

### PORT 20 CLOCK GENERATOR

SIZE	DRAWING NO.	FAB P/N	REV.
B	SCH-PESEB-001	18-691-001	2.0
AUTHOR Tony Tran		CHECKED BY Derek Huang	
Thu Jul 01 15:01:07 2010			SHEET 52 OF 52