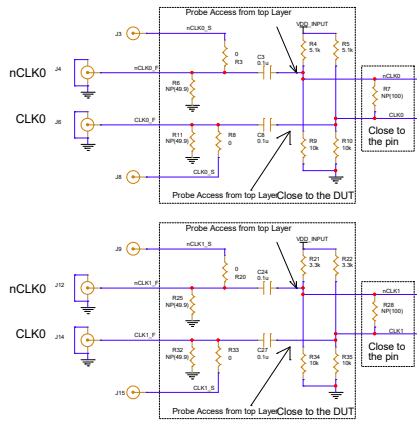
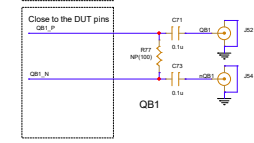
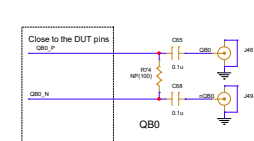
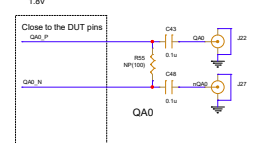
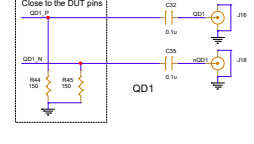
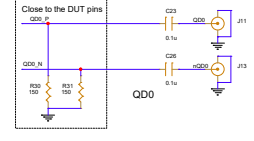
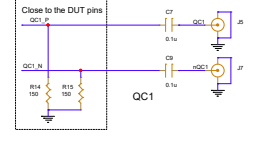
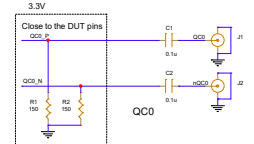
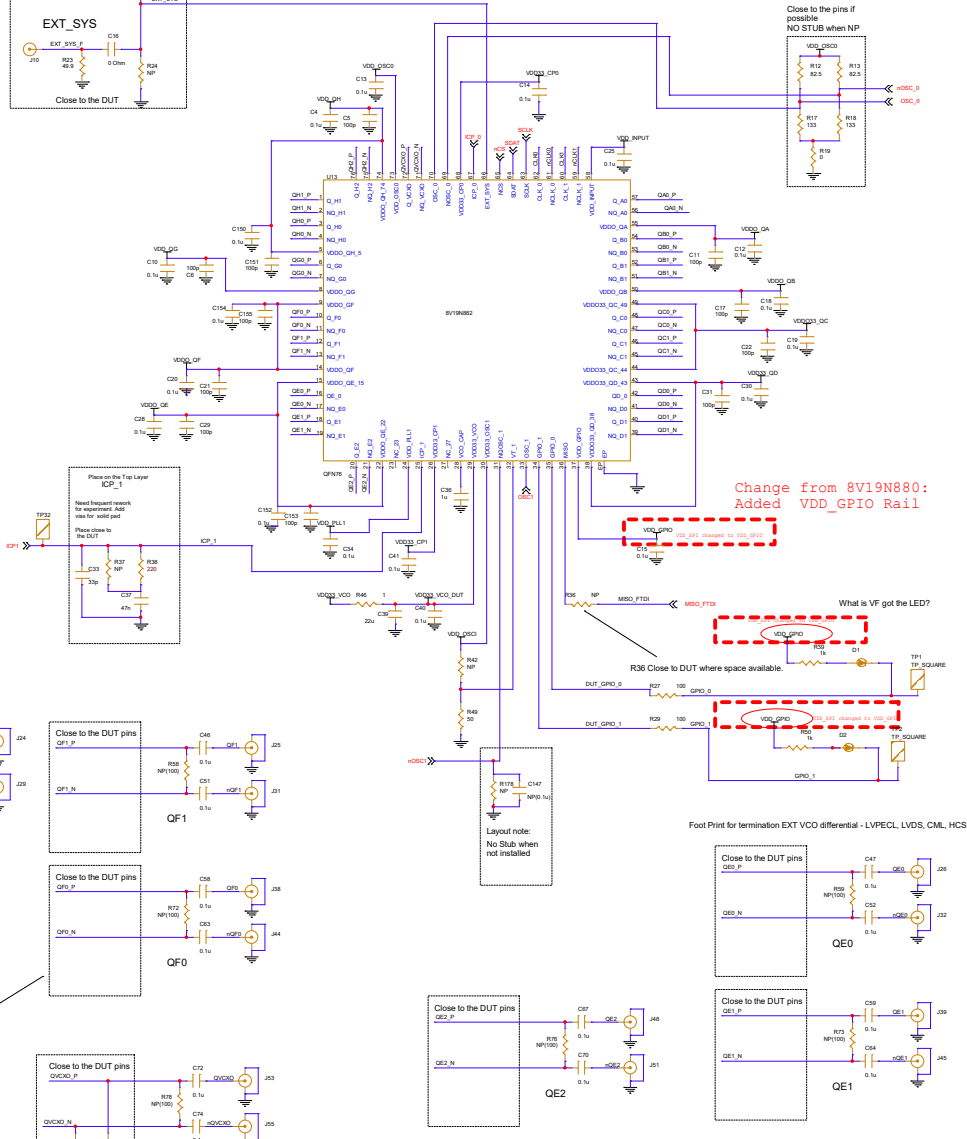
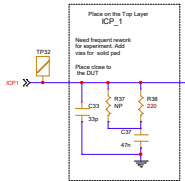
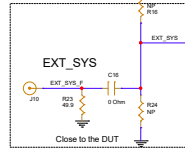


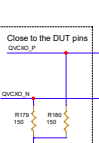
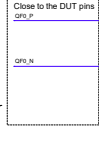
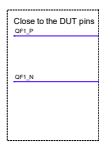
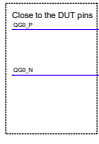
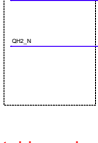
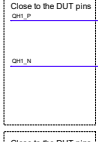
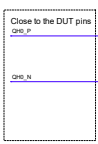
Layout note: No Stub when the components are NP (No Pop)



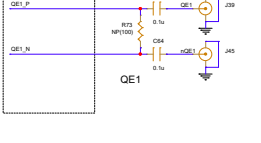
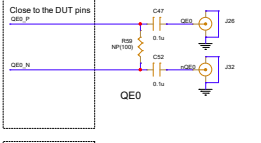
Changes from 8V19N880:  
 Added VDD\_GPIO  
 Removed Q\_A1/nQ\_A1  
 Removed Q\_G1/nQ\_G1  
 Removed CLK2/nCLK2  
 Removed CLK3/nCLK3



REV B change note:  
 VDD33\_OSCI pin can be 3.3V or 1.8V



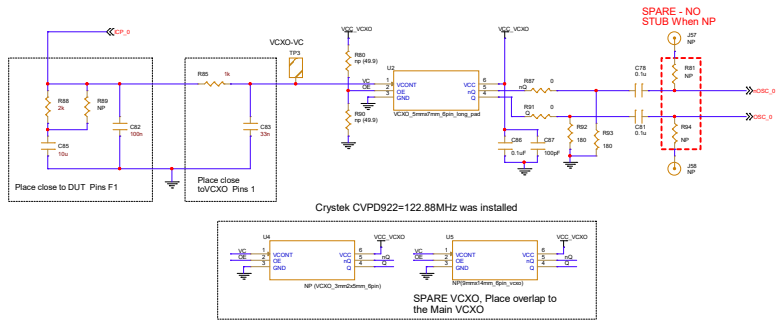
Foot Print for termination EXT VCO differential - LVPECL LVDS, CML, HCSL



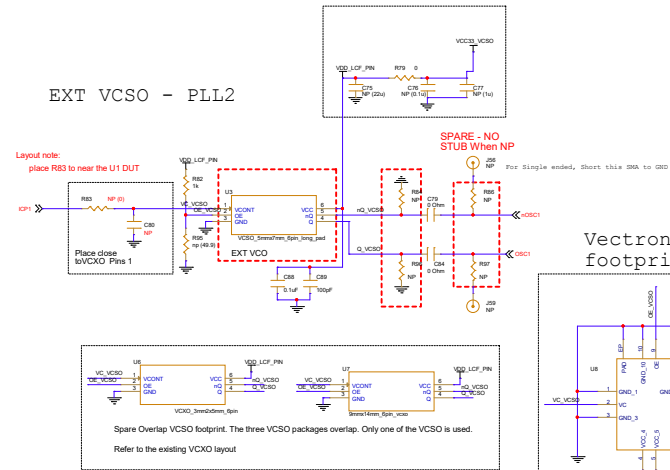
For LVPECL output driver, change the outputs without pull resistor to DC coupling (change Cap to 0 Ohm)

8V19N880 REV B	
Doc Number	8V19N880
Rev	B
Date	2023-08-24

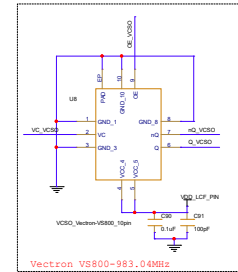
### VCXO - PLL1



### EXT VCXO - PLL2



Vectron 10 pin spare footprint.



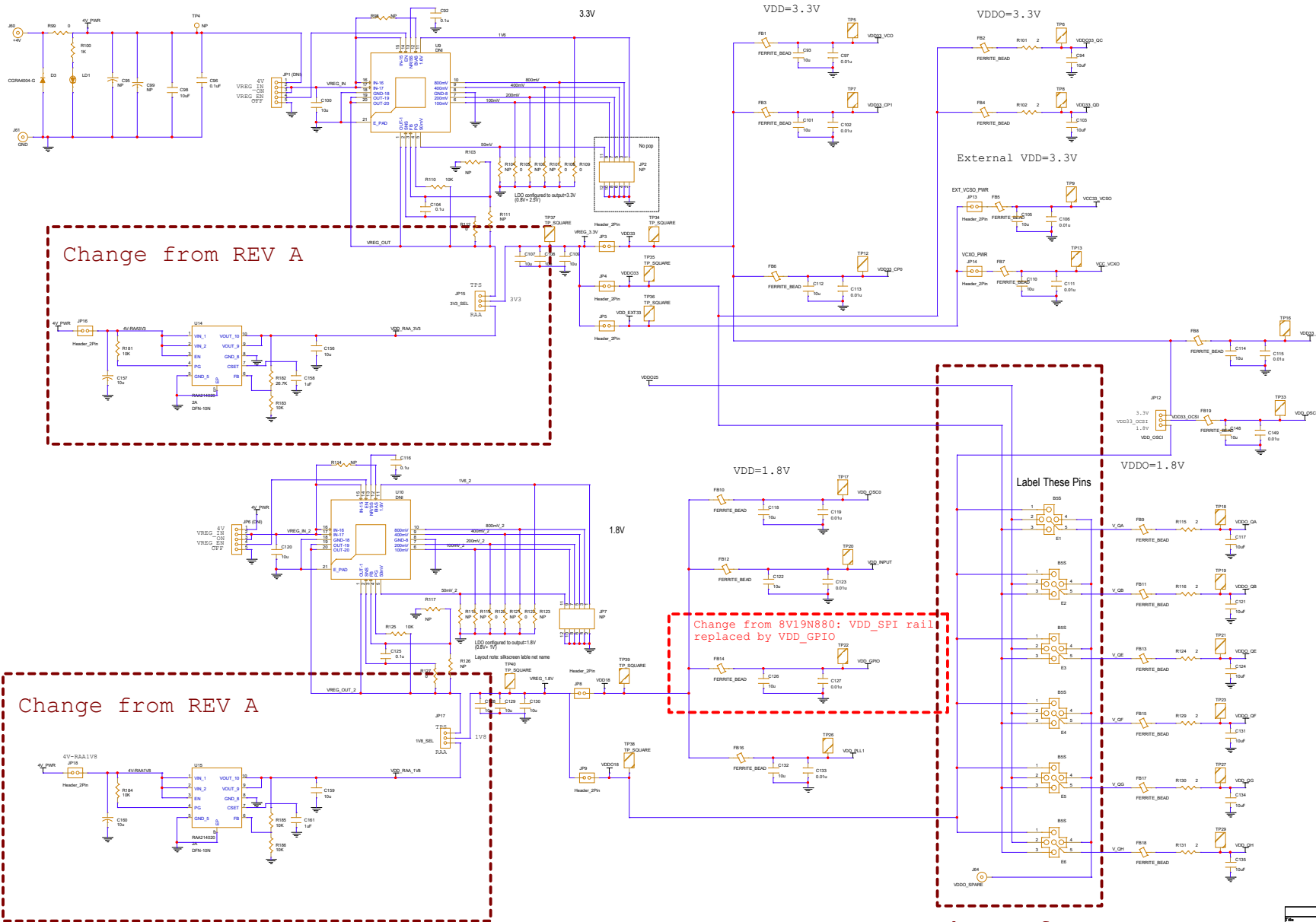
Add Multiple footprint option for ext VCO

Layout note:

No Stub on Q and nQ when spare are not installed.

10 pin Overlap to 6 pin may not be possible, Add resistors to isolate stub if needed.

REV		SYNOPSIS EMB REV B	
Doc ID	Document Number	Rev	Rev
Doc	Doc	Rev	Rev
Doc	Doc	Rev	Rev



Change from REV A

Change from REV A

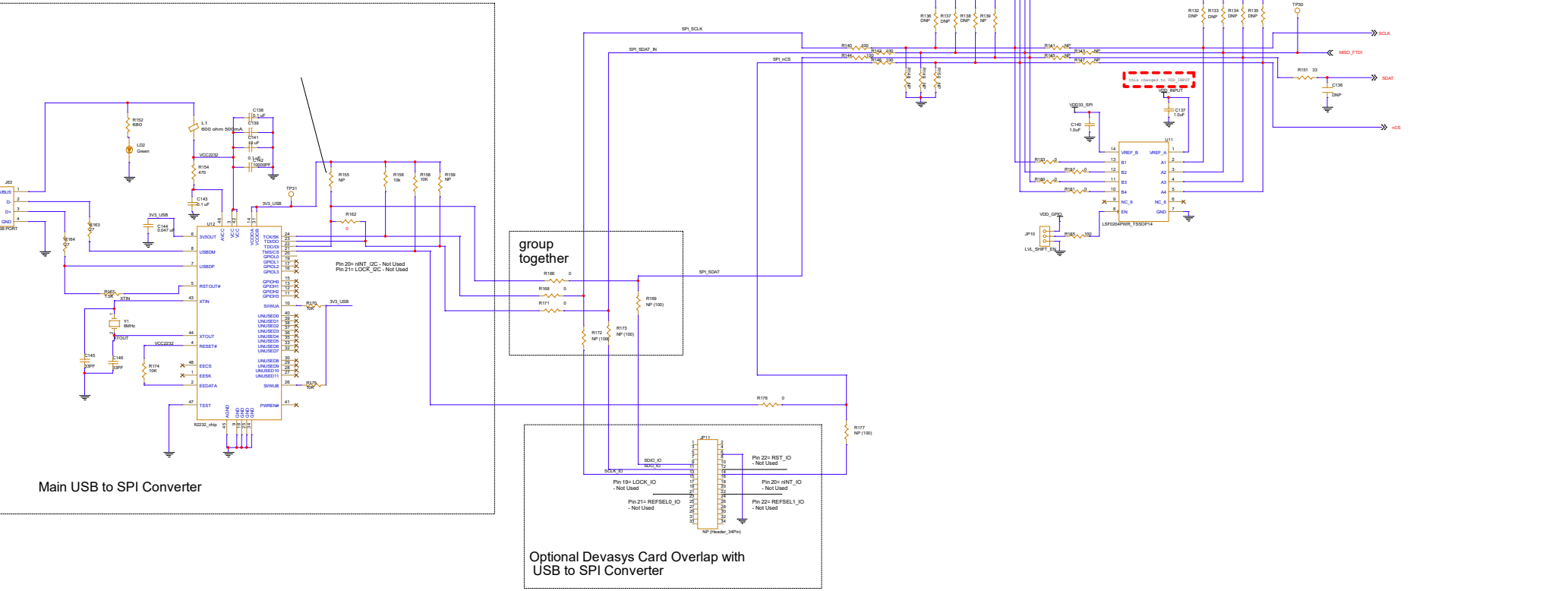
Change from 8V19N880: VDD\_SPI rail replaced by VDD\_GPIO

Label These Pins

Change from REV A

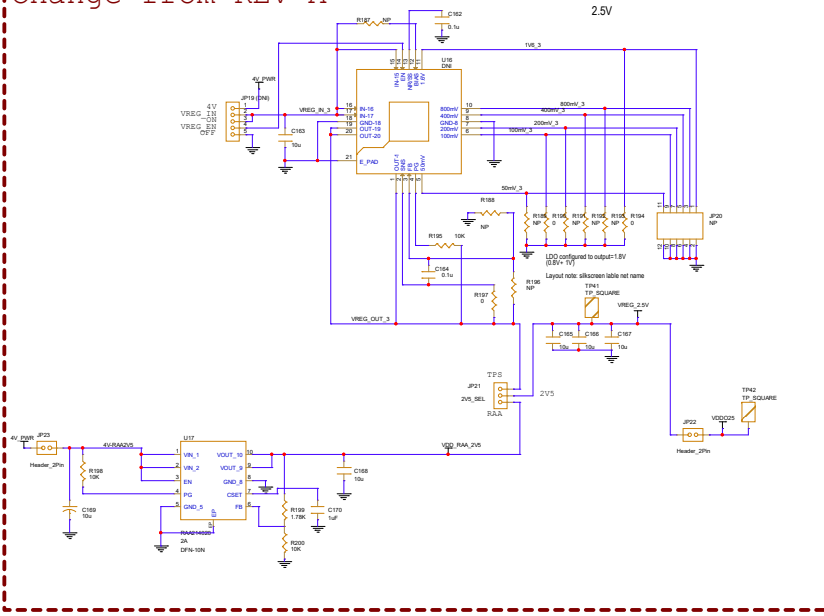
8V19N880 EVB REV B	
Doc ID	Document Number
Rev	Revision
DATE	DATE

ON board USB/SPI, TC



Doc	SYN0022 E6B REV B	Rev	
Doc ID	Document Number	Rev	
Doc	Doc	Rev	
Doc	Doc	Rev	

Change from REV A



Rev		SYN8822-016 REV B	
Doc	Document Number		
ID	Doc		
Rev	Rev		