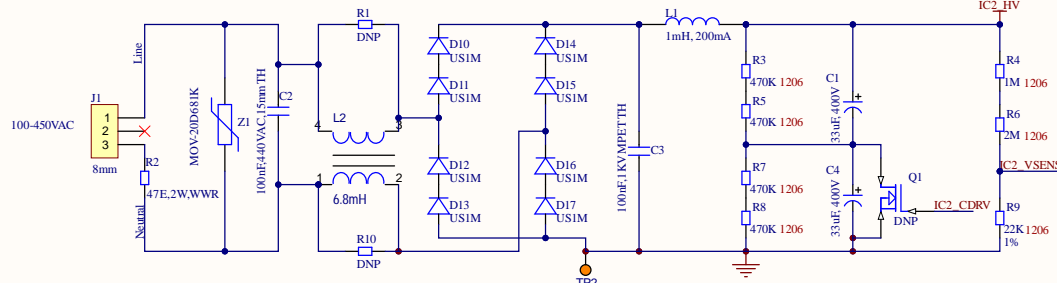
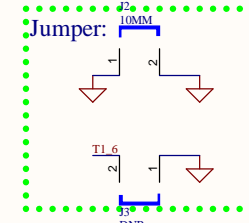
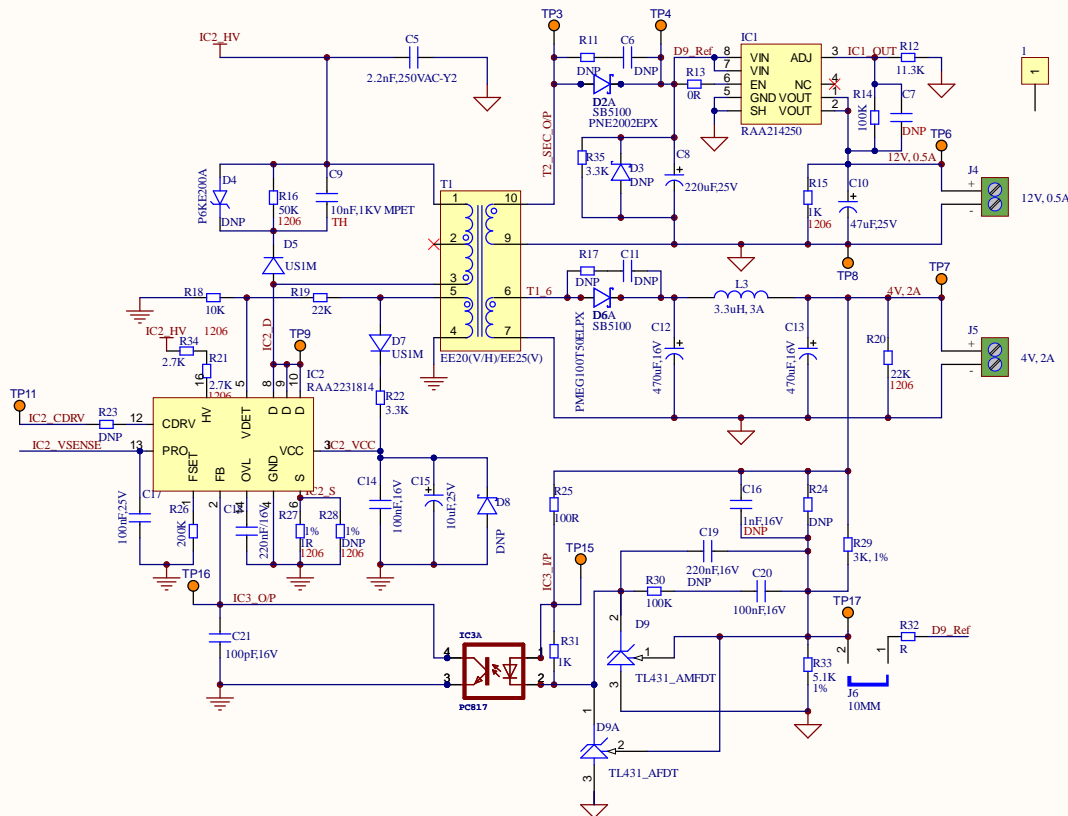


Bridge Rectifier & Filter:



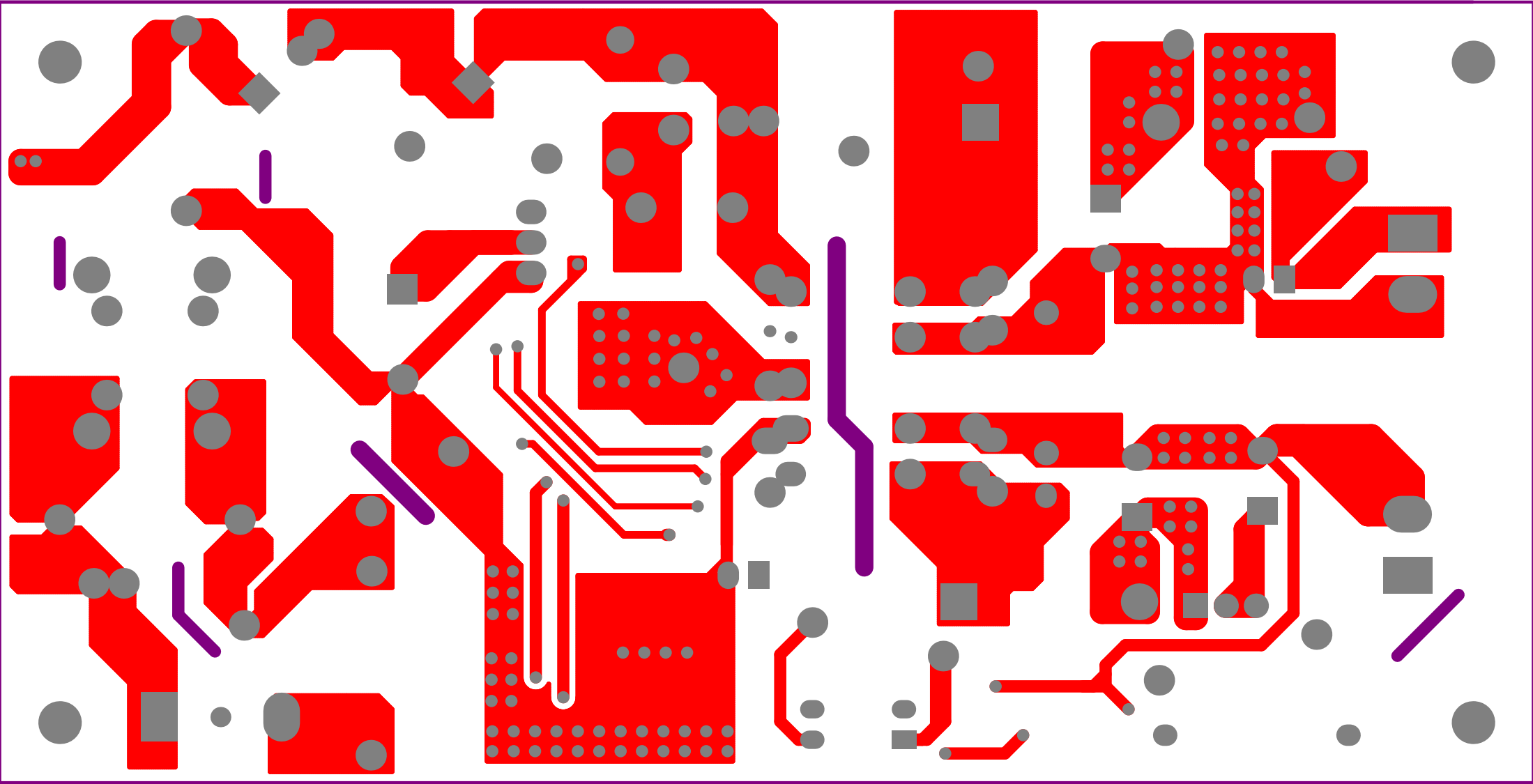
Flyback:

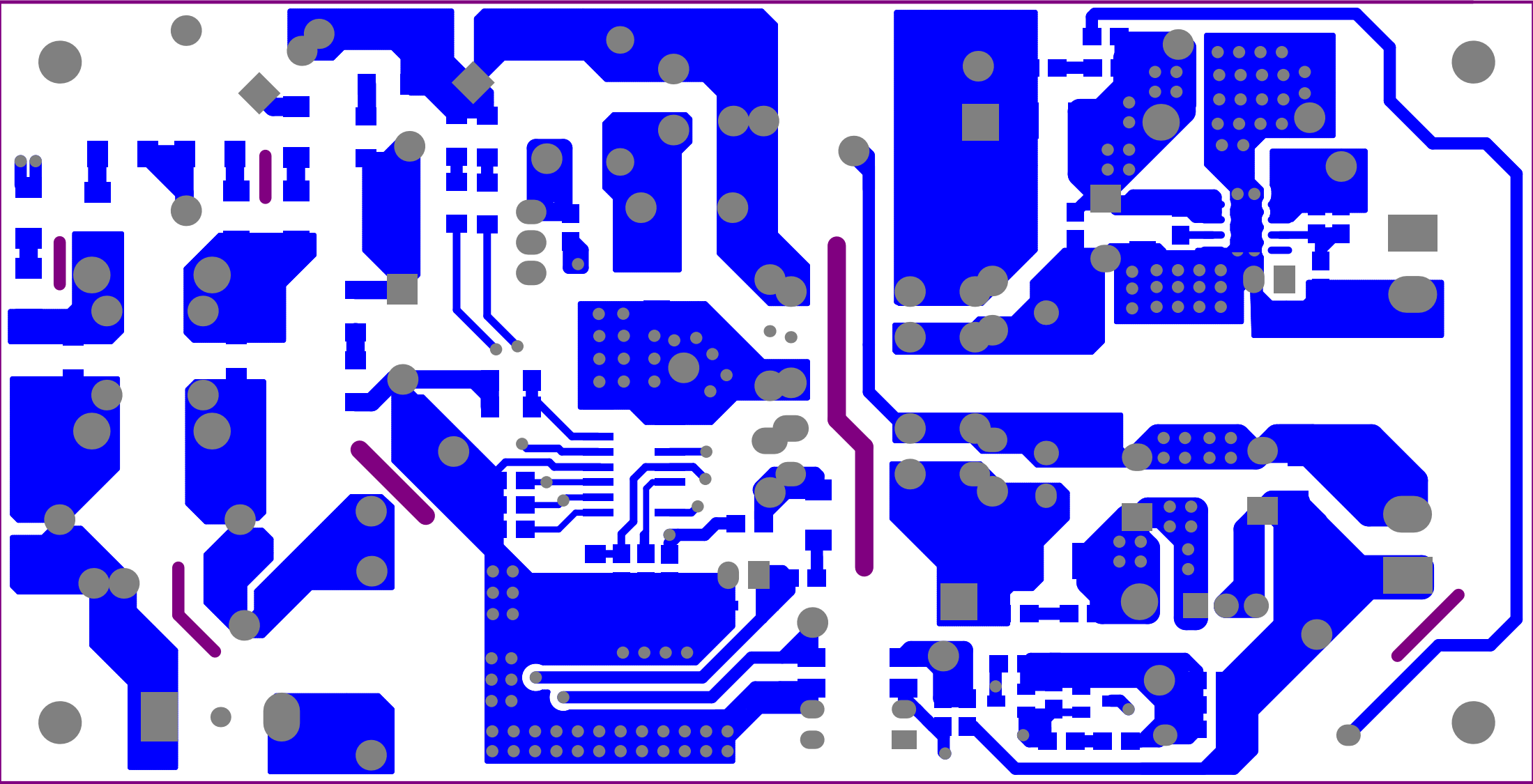


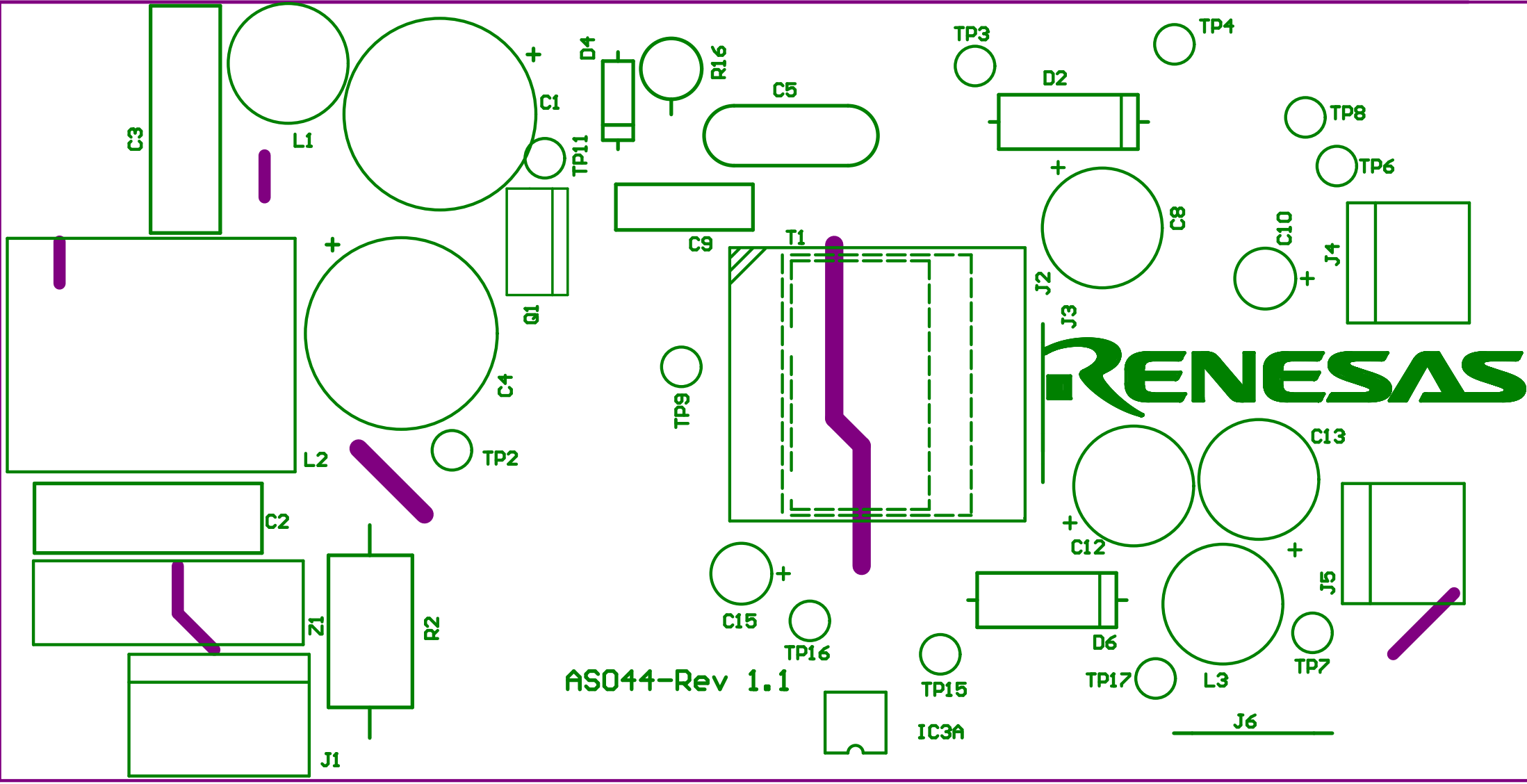
AS044 - 1_Phase Energy Meter Power Supply

AS-044_V1.SchDoc

Release Date: 14-03-2023	Revision: 01	Drawn by: Gaurav	Checked by: Rishi	Approved by: Nitin
Last Updated: 14-03-2023	Renesas Electronics India Pvt Ltd, Bangalore, India.			
SHEET 1 OF 1	SIZE A3			







AS044-Rev 1.1

RENESAS

A2044-EMTRP2PC12

