

DA14531 Basic Development Kit

Design Name	d2632-devkt-b-usb
Ref. Number	376-13-D
Version	D
Date	Nov 22, 2019
Designer	PR
	B01 Version changes:PG C01 Version changes:KR C02, C03 Version changes:PR

History Table		
Version	Date	Comments
A00	19 / Feb / 2019	Draft Release
	28 / Feb / 2019	Added R13,R14 (NP, option for 1-pin UART)
	01 / Mar / 2019	Changed user button to P0_11 (R16->270,R33->NP) Added pull-up (R36) and testpoint on U3.3 Added option (R37,NP) for HW RESET (K2 button on P0_0) Added testpoints R33..R36 (Segger 4-pin UART) Added ground point for alligator clip (TP28)
A01	06 / Mar / 2019	Release to manufacturing
B01	24 / Jun / 2019	Changed user led colour to orange Changed K2 button to active high and assigned P0_0 as default (POR) Added inverter (U6) for J-Link reset signal Swapped P0_6 and P0_1 for the respective functions in the MikroBUS socket (for compatibility with the pro-devkit) Add U5 analog switch (FSA2259UMX) for single UART functionality Add CLC filter (Z6, Z7, Z8) J2 Connector set as no-pop and resistor R50, R51 added for power selection
C01	08 / Aug / 2019	Swapped P0_8 and P0_10 for the respective functions in the MikroBUS socket (for compatibility with the pro-devkit) [PCB change) Button K1 part ref. changed to SW2 [PCB change) Button K2 part ref. changed to SW1 [PCB change)
C02	30 / Sep / 2019	Added alternative part number for S1 (BOM change) Supplemented 1-wire UART function in default configuration note
C03	22 / Nov / 2019	PCB Layout modification (mask layer around FCGQFN-24)
D01	22 / Nov / 2019	PCB Layout modification (mask layer around FCGQFN-24)

Configuration note

NOTE box

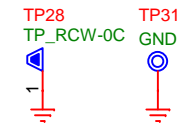
Changes in this Version.

TP23 FIDUCIAL


TP16 FIDUCIAL

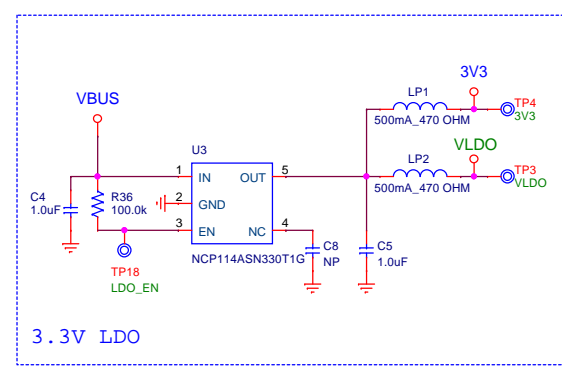
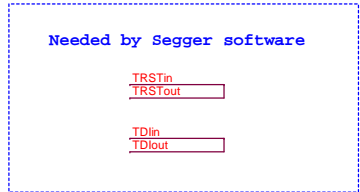
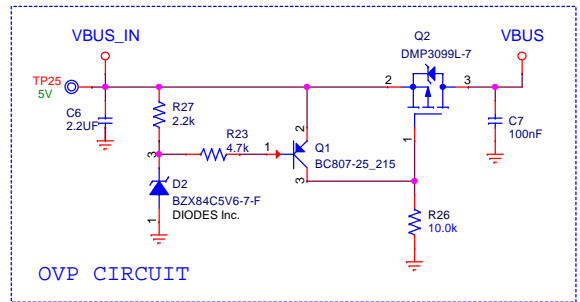
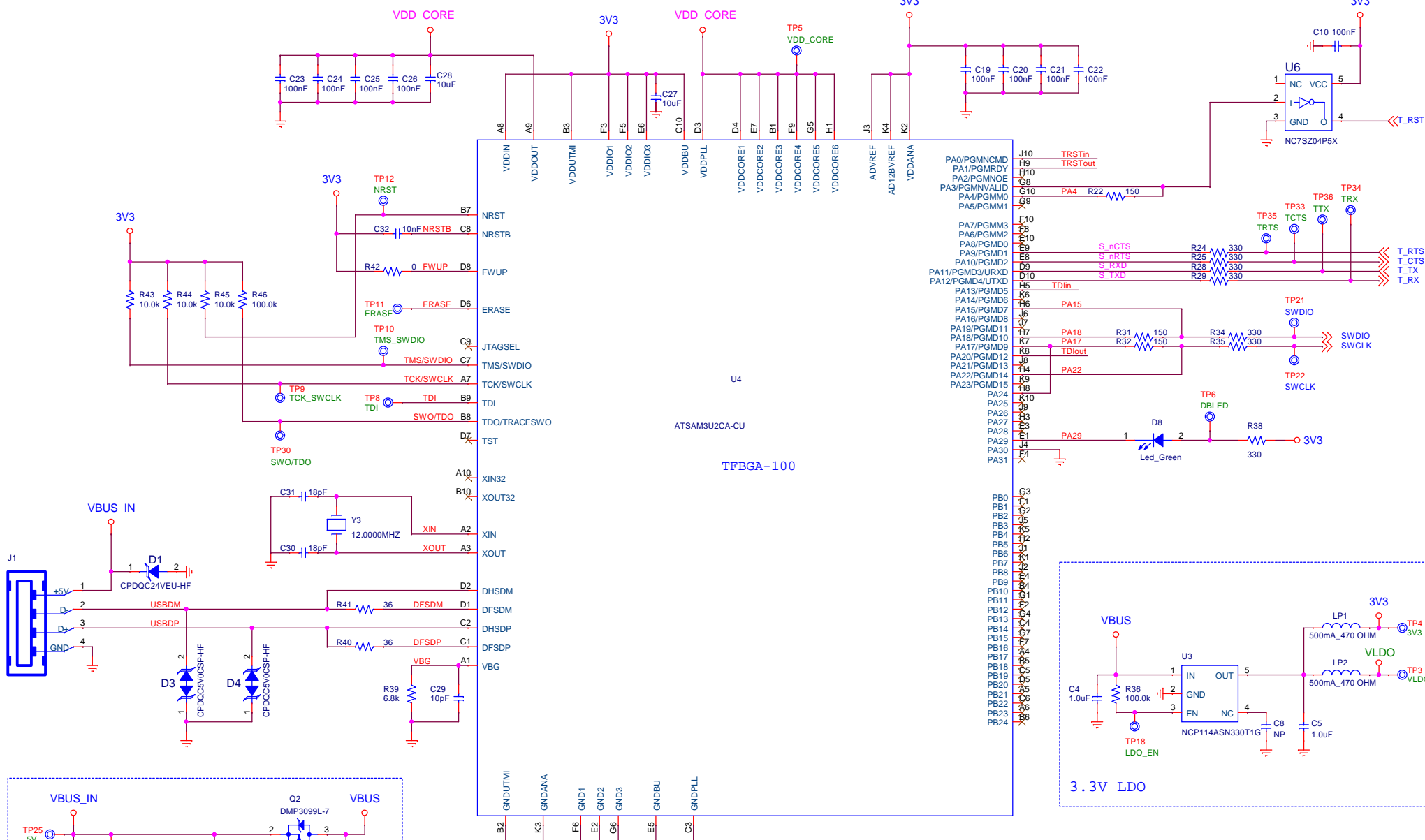
TP24 FIDUCIAL

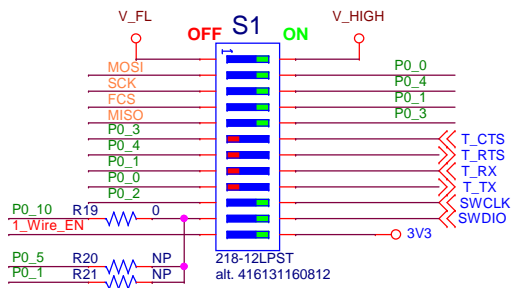
TP17 FIDUCIAL



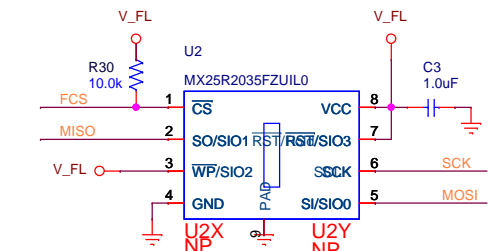
<Variant Name>

		Dialog Semiconductor N.E.O. Athinon- Patron 15 26441, Patra, Greece tel. (+30) 2610390940 fax. (+30) 2610390941
Title : DA14531/D2632 Basic Development Kit (USB dongle)		
Doc. Nr. 376-13-D	Designer: PR	Rev: D
Date: Wednesday, August 26, 2020	Sheet: 1	of 3

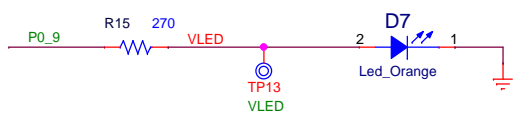




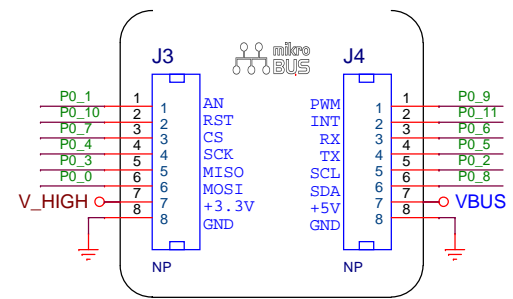
DEVELOPMENT OPTIONS
(DEFAULT: FLASH, JTAG, 1-wire UART)



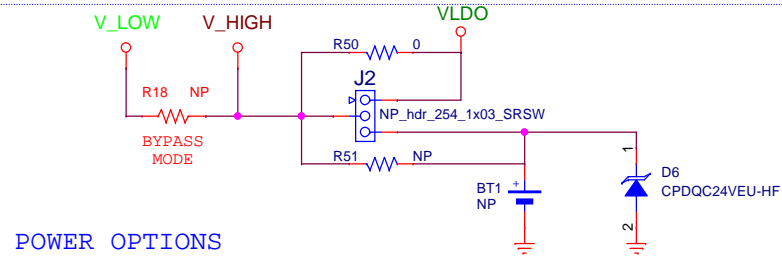
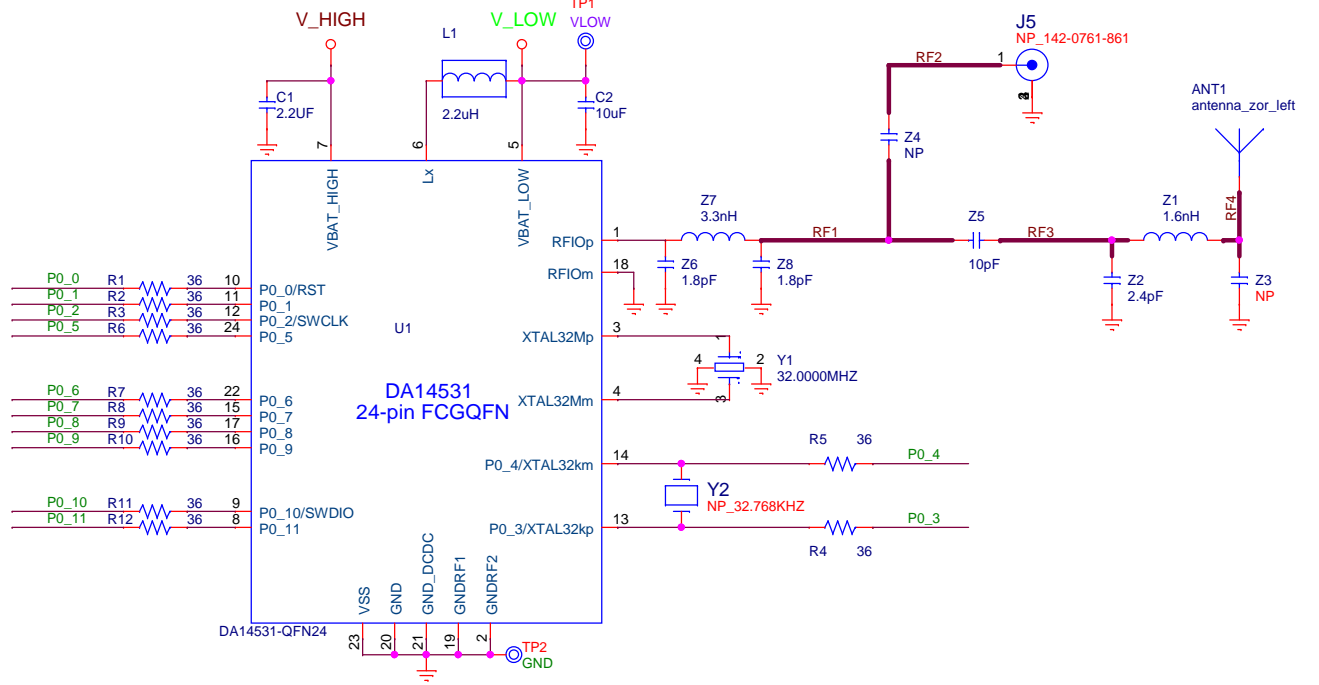
SPI FLASH



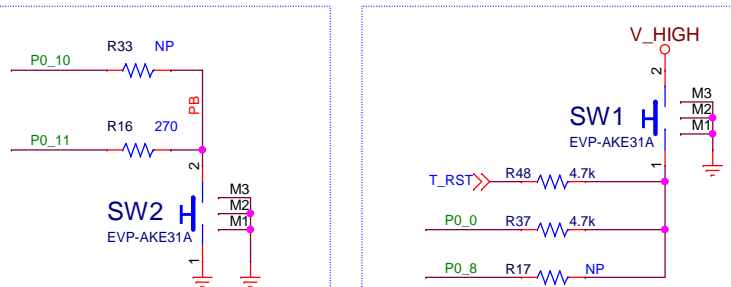
USER LED



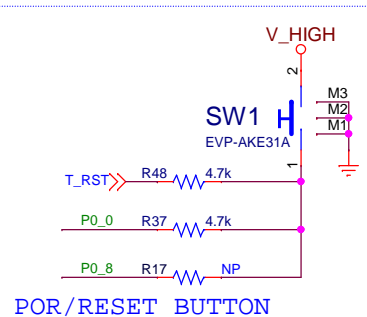
MikroBUS SOCKET
(NOT POPULATED)



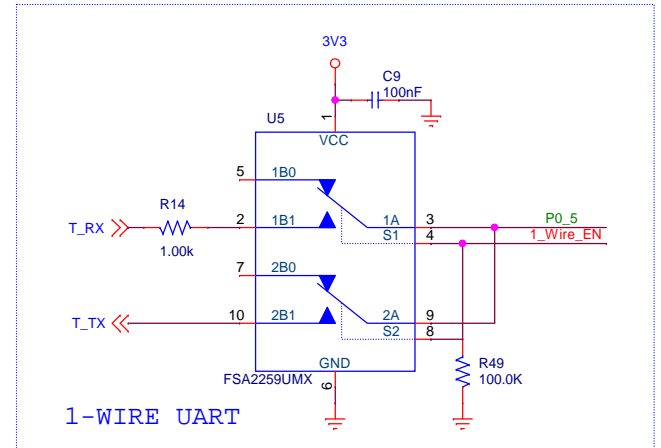
POWER OPTIONS



USER BUTTON



POR/RESET BUTTON



1-WIRE UART

<Variant Name>

Dialog Semiconductor
N.E.O. Athinon - Patra 15
26441, Patra, Greece
tel. (+30) 2610390940
fax. (+30) 2610390941