

DA1453x Pro Development Kit

Design Name	da14533-db-qfn22(610-05)
Ref. Number	610-05-A
Version	A4
Date	Feb 02, 2024
Designer	Panos Raftopoulos

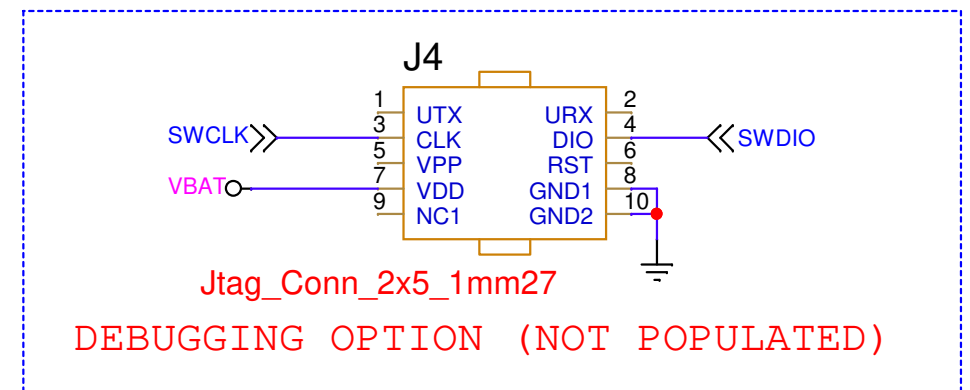
History Table		
Version	Date	Comments
A0	23 / 04 / 2023	Release for internal review
A1	21 / 08 / 2023	Released for manufacturing
A2	10 / 11 / 2023	Removed value labels for Y1, U3 from the schematics page
A3	20 / 11 / 2023	BOM modifications: <ul style="list-style-type: none"> Changed U3 part number to W25X20CVUXSG Changed Y1 part number to XRCGE32M000FXA2AR0
A4	02 / 02 / 2024	Changed Y1 part number to XRCGE32M000FBA2FR0

Configuration note

NOTE box

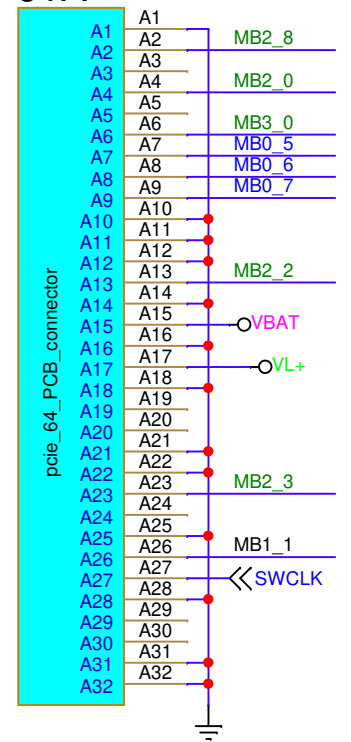


- F1 FIDUCIAL
- F2 FIDUCIAL
- F3 FIDUCIAL
- F4 FIDUCIAL

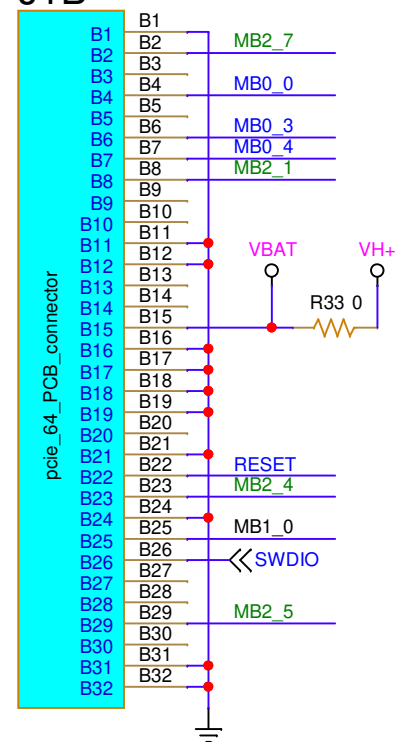


Renesas Electronics
N.E.O. Athinon-Patron 15
26441, Patra, Greece
tel. (+30) 2610390940
fax. (+30) 2610390941

J1A

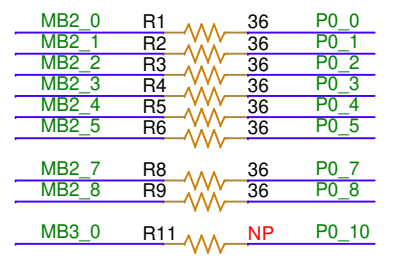


J1B

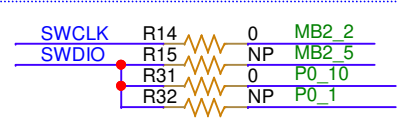


Card Edge Connector (PCI-E)

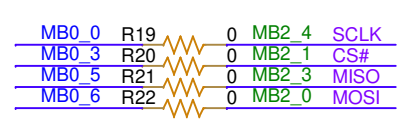
BREAKOUT HEADERS



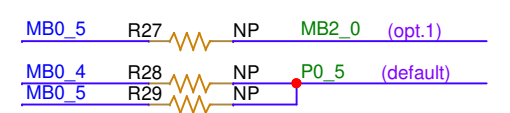
JTAG



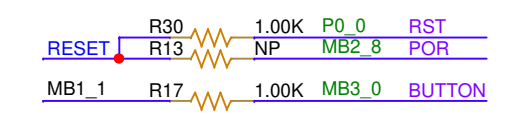
SPI FLASH



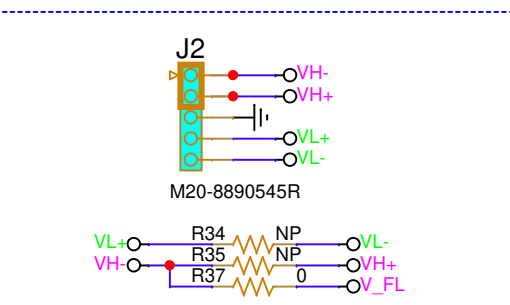
4-PIN UART



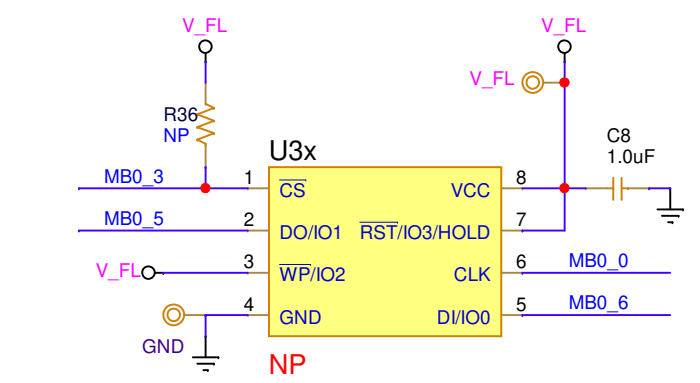
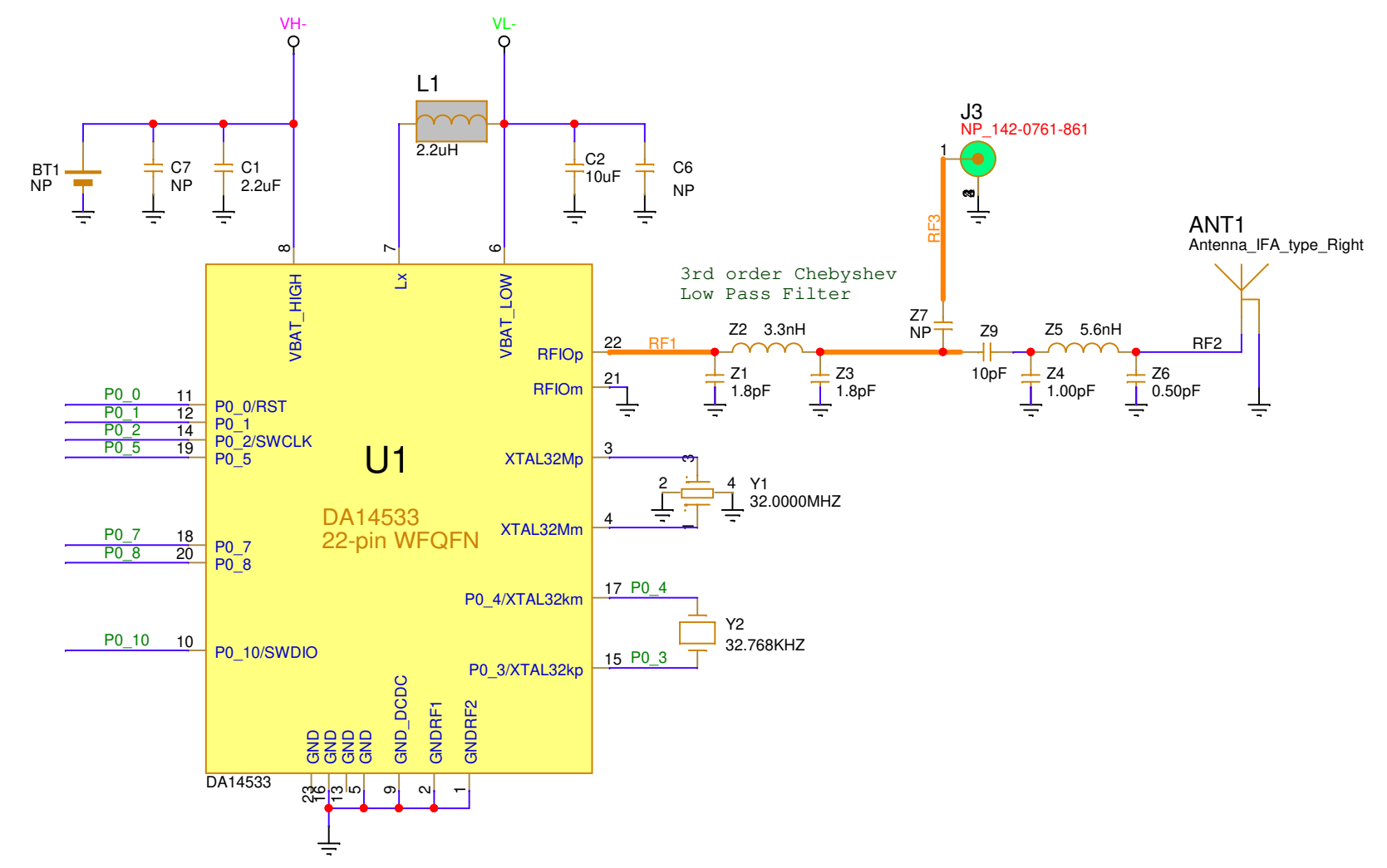
1-WIRE UART(2)



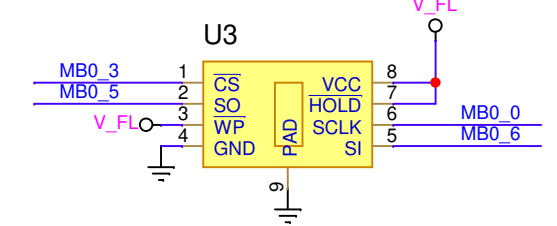
MISC. PERIPHERALS



CURRENT MEASUREMENT



SPI FLASH



Renesas Electronics
N.E.O. Athinon-Patron 15
26441, Patra, Greece
tel. (+30) 2610390940
fax. (+30) 2610390941

Title : DA1453x Development Kit Daughterboard Renesas Electronics		
Doc. Nr. 610-05-A	Designer: Panos Raftopoulos	Rev:A4
Date: Friday, February 02, 2024	Sheet: 2 of 2	