

DA1453x Pro Development Kit

Design Name	da14535-db-qfn24(610-02)
Ref. Number	610-02-A
Version	A4
Date	Feb 22, 2024
Designer	Panos Raftopoulos

History Table

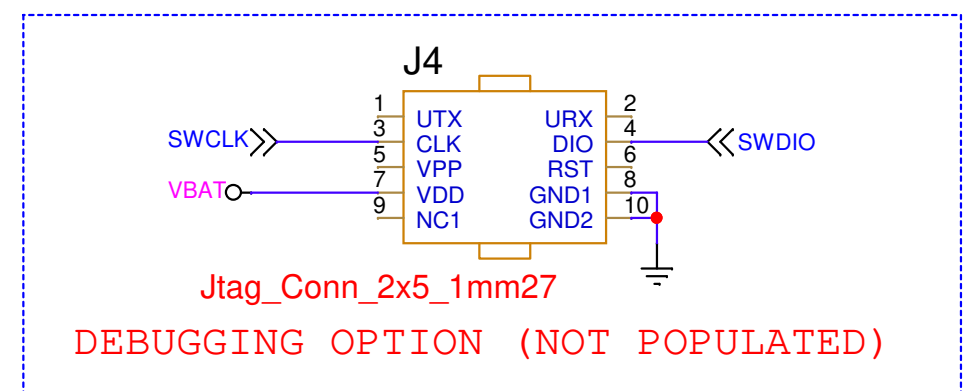
Version	Date	Comments
	22 / 12 / 2022	Design based on d2632-db-qfn24_vF3 (376-04-F) Removed obsolete design blocks: <ul style="list-style-type: none"> Power mode selection switch (SW1) 1.1V LDO (U2) Added options for on-board SPI Flash (U3/U3x) Released for internal review
A	31 / 01 / 2023	Schematic/PCB modifications after review meeting: <ul style="list-style-type: none"> added fiducials F1-F4 changed R1,R2,R4,R5 fom NP to 36 ohm removed JS2 (jumper shunt VL+/VL-) PCB-only modifications after review meeting: <ul style="list-style-type: none"> moved R34,R35 to the right fixed copper pour voids/islands Added Title Block in FAB drawing Released for manufacturing
A2	22 / 06 / 2023	Set SPI Flash (U3) and related parts (C8/R37) as not populated Released for manufacturing
A3	11 / 10 / 2023	Changed U1 part number to DA14535-00000FX2 Added jumper at J2 pins 4-5
A4	22 / 02 / 2024	Changed U3 part number to AT25DF021A-MAHN-T (remains unpopulated)

Configuration note

NOTE box



- F1 FIDUCIAL
- F2 FIDUCIAL
- F3 FIDUCIAL
- F4 FIDUCIAL

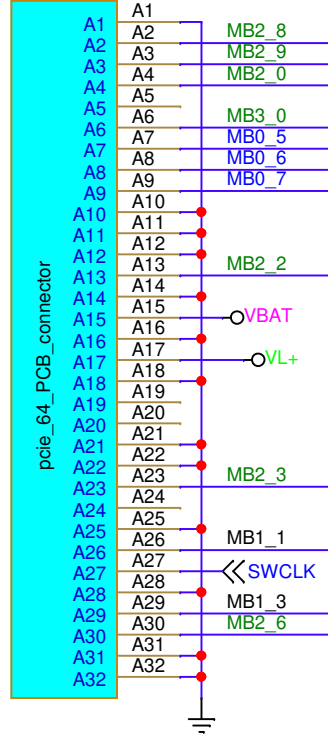


Renesas Electronics
N.E.O. Athinon-Patron 15
26441, Patra, Greece
tel. (+30) 2610390940
fax. (+30) 2610390941

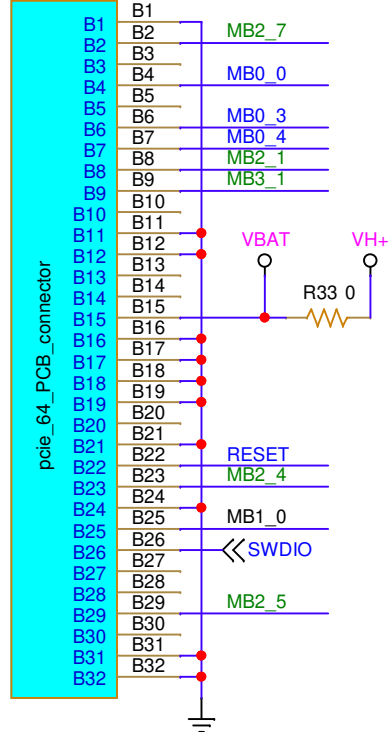
Title: DA1453x Development Kit Daughterboard Renesas Electronics

Doc. Nr. 610-02-A Designer: Panos Raftopoulos Rev: A4
Date: Thursday, February 22, 2024 Sheet: 1 of 2

J1A

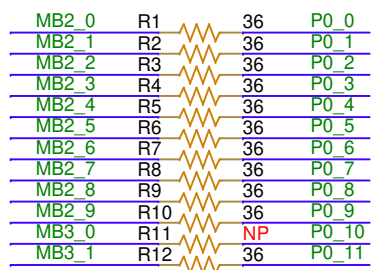


J1B

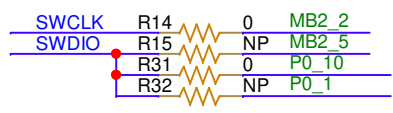


Card Edge Connector (PCI-E)

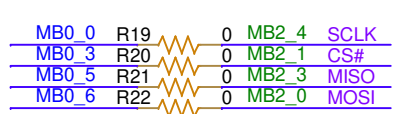
BREAKOUT HEADERS



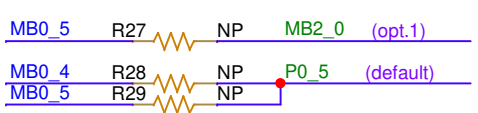
JTAG



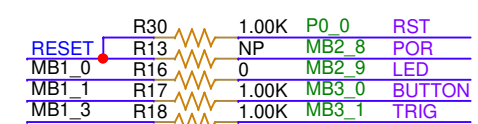
SPI FLASH



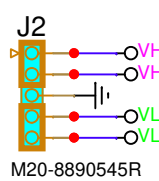
4-PIN UART



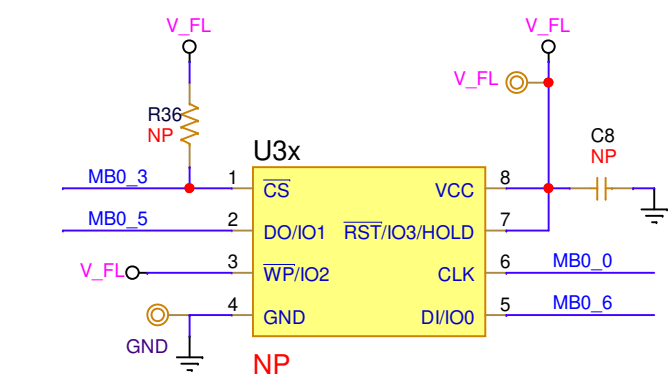
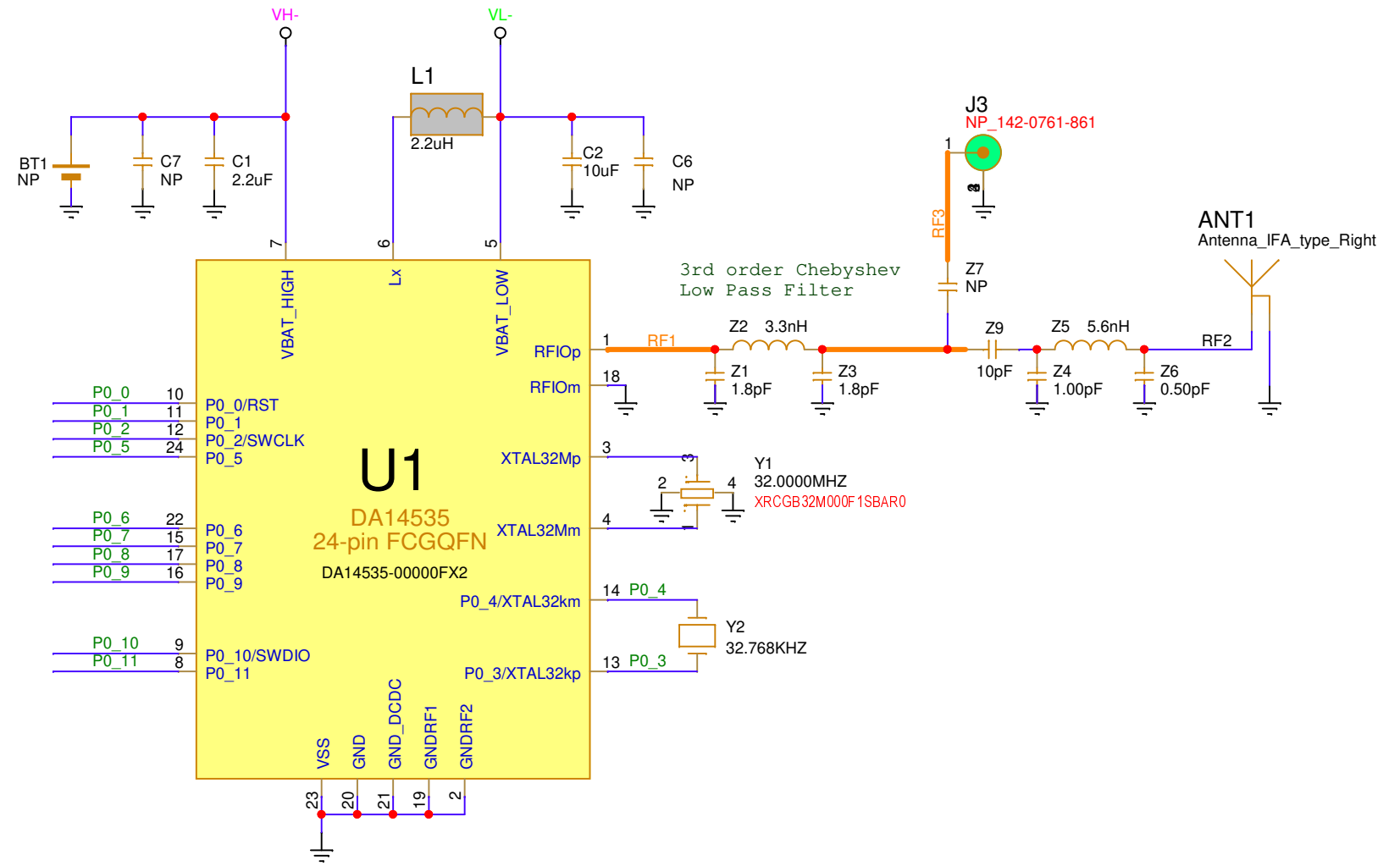
1-WIRE UART(2)



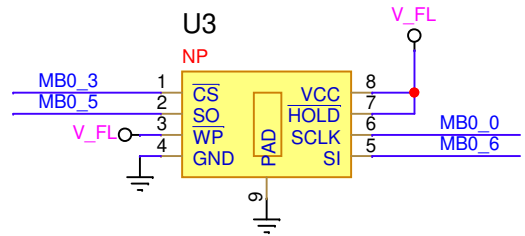
MISC. PERIPHERALS



CURRENT MEASUREMENT



SPI FLASH



RENESAS

Renesas Electronics
 N.E.O. Athinon-Patron 15
 26441, Patra, Greece
 tel. (+30) 2610390940
 fax. (+30) 2610390941