

# DA1453x Basic/USB Development Kit

Design Name	DA1453X-DEVKT-B-USB
Ref. Number	610-12-A
Version	A2
Date	Feb 06, 2024
Designer	PR

Configuration note

NOTE box

Changes in this Version.

## History Table

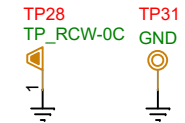
Version	Date	Comments
A1	20 / Nov / 2023	Based on DA14531 Basic Development Kit (376-13-D) Changed Dialog Logo to Renesas <b>Changed U1 part number to DA14535-00000FX2</b>
A2	6 / Feb / 2024	<b>Changed U2 to AT25DF021A-MAHN-T</b>

TP23 FIDUCIAL

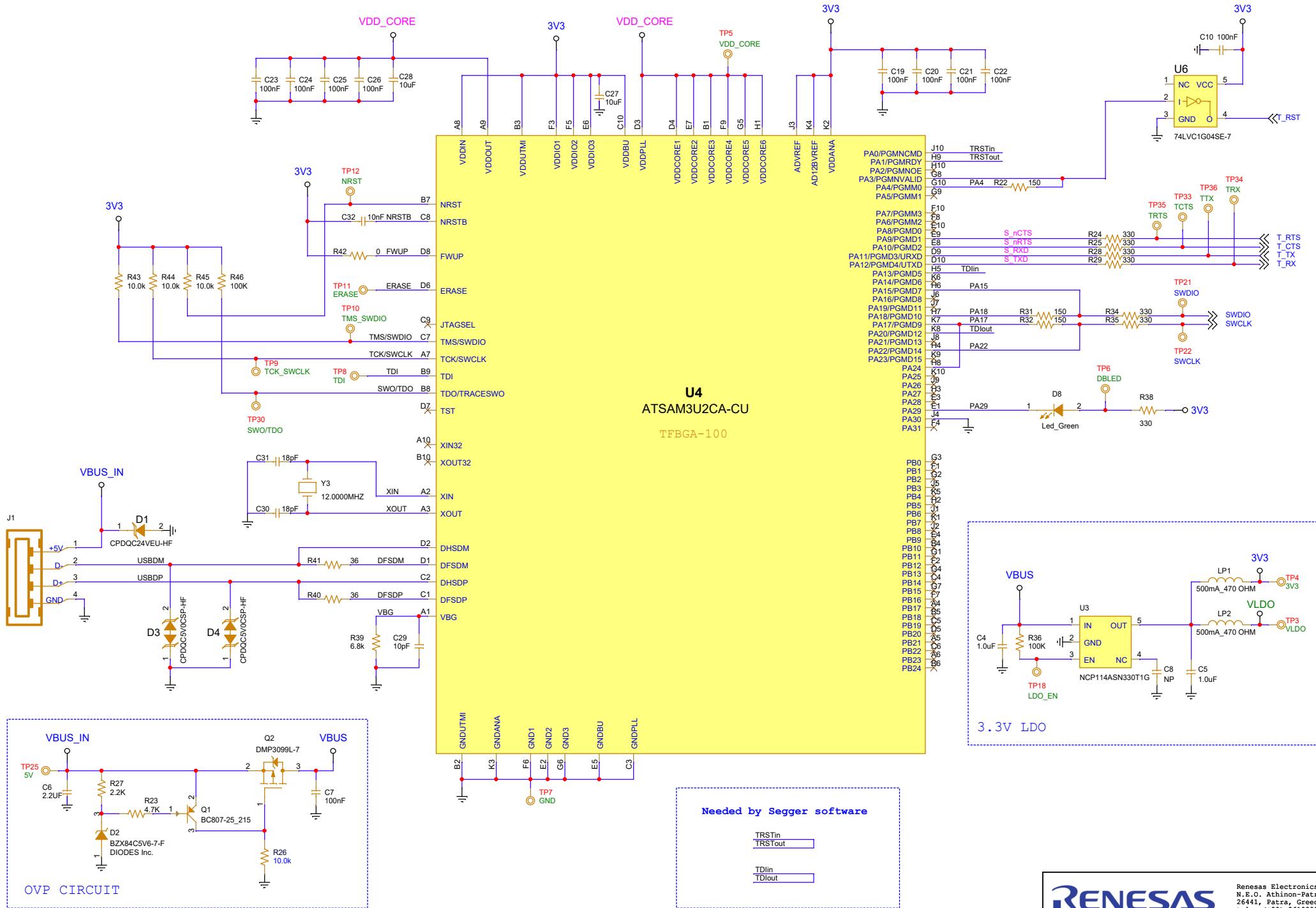
TP16 FIDUCIAL

TP24 FIDUCIAL

TP17 FIDUCIAL



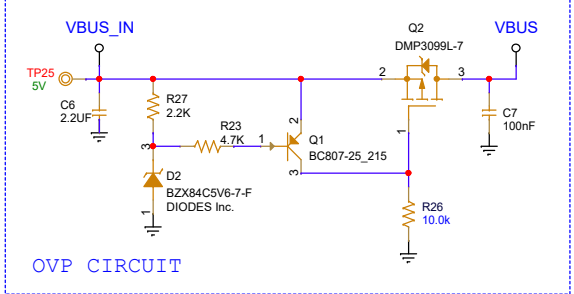
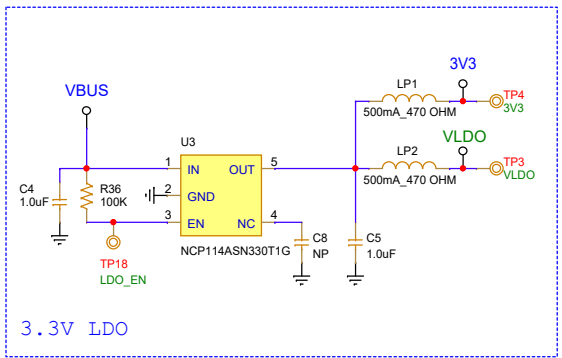
Renesas Electronics  
N.E.O. Athinon-Patron 15  
26441, Patra, Greece  
tel. (+30) 2610390940  
fax. (+30) 2610390941

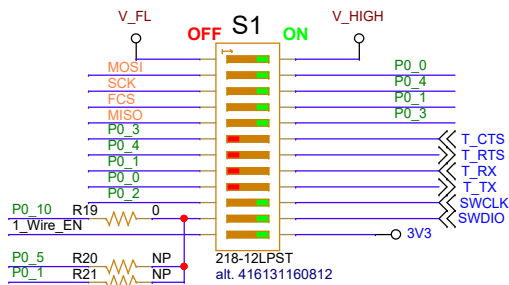


Needed by Segger software

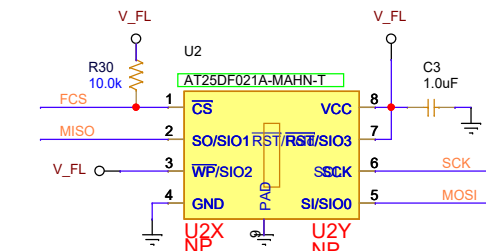
TRSTin  
 TRStout

TDlin  
 TDlout

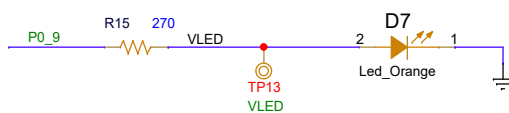




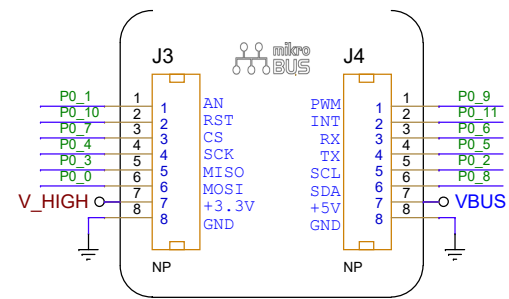
DEVELOPMENT OPTIONS  
(DEFAULT: FLASH, JTAG, 1-wire UART)



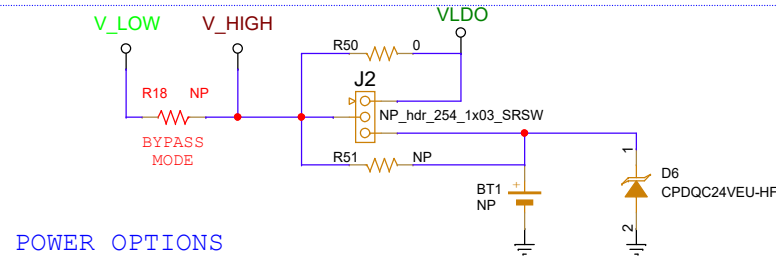
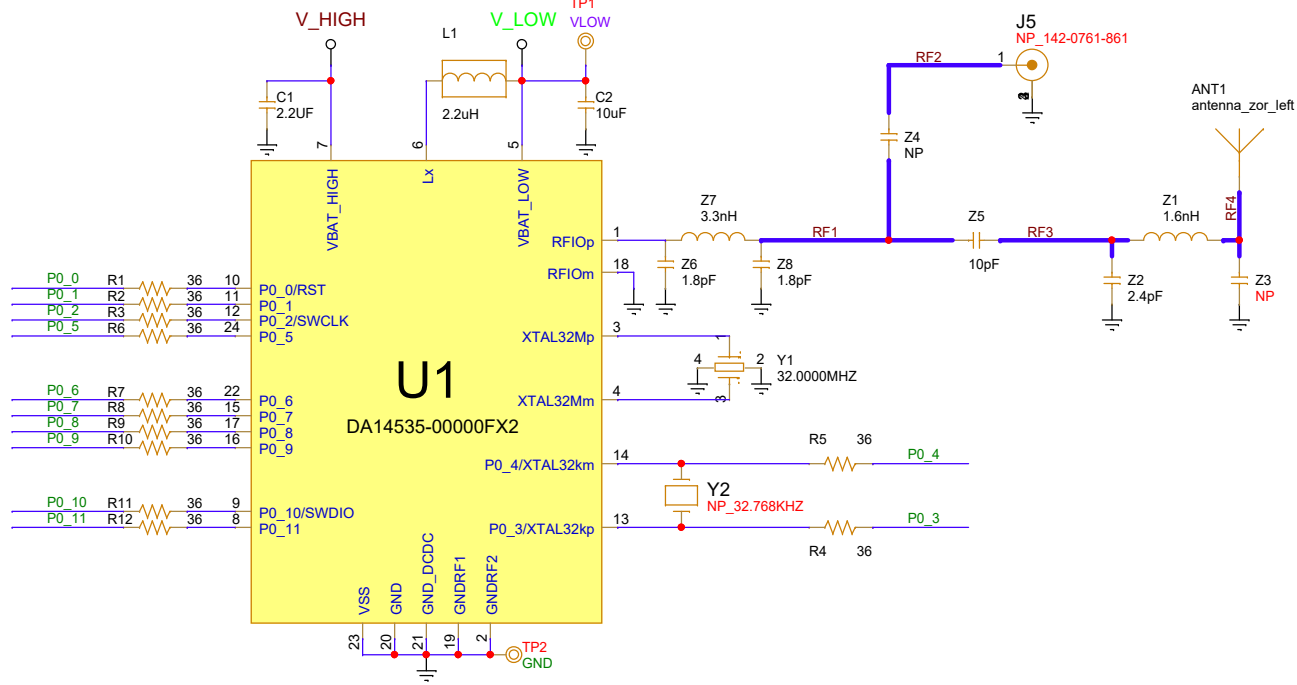
SPI FLASH



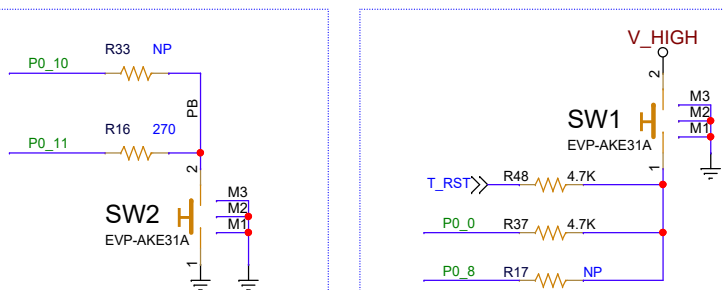
USER LED



MikroBUS SOCKET  
(NOT POPULATED)

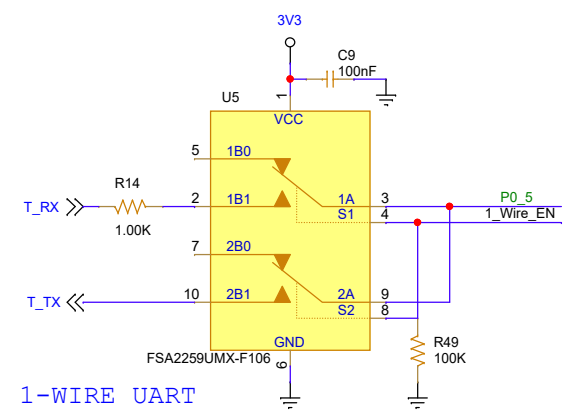


POWER OPTIONS



USER BUTTON

POR/RESET BUTTON



1-WIRE UART



Renesas Electronics  
N.E.O. Athinon-Patron 15  
26441, Patra, Greece  
tel. (+30) 2610390940  
fax. (+30) 2610390941