

# D2634 Devkit-Pro Daughterboard

Design Name	da1459x-sb-MiB
Ref. Number	469-18-C
Version	C
Date	31/Jan/2024
Designer	Panos Raftopoulos

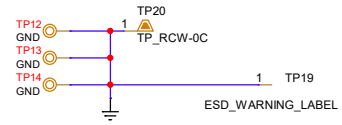
Configuration note

NOTE box

Changes in this Version.

History Table		
Version	Date	Comments
A	30/Jun/2023	Release for internal review
B	11/Oct/2023	Added option for USON-8 flash (U2x) Changed power selector from jumper (J7) to switch (SW1)
C	31/Jan/2024	Updated PADS dimension in PCB

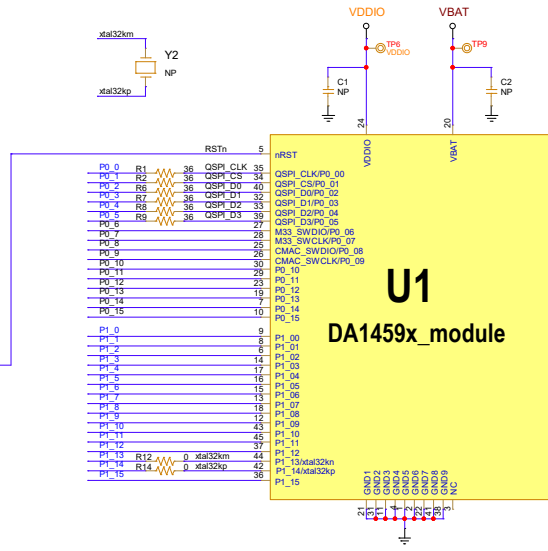
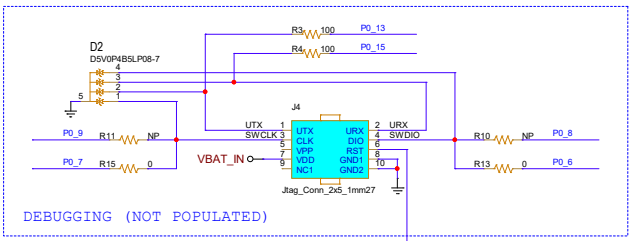
- TP10 FIDUCIAL
- TP11 FIDUCIAL
- TP21 FIDUCIAL
- TP22 FIDUCIAL



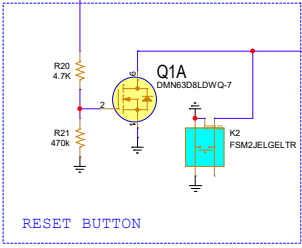
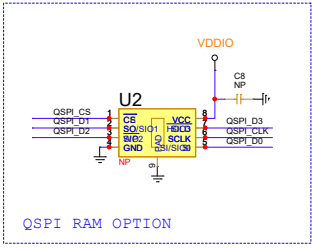
Renesas Electronics  
 N.E.O. Athinon-Patras 15  
 26441, Patras, Greece  
 tel. (+30) 2610390940  
 fax. (+30) 2610390941

Title : D2634/DA1459x Devkit-Pro Daughterboard		Renesas Electronics	
Doc. Nr. 469-18-C	Designer: PR	Rev: C	
Date: Wednesday, January 31, 2024	Sheet 1 of 2		

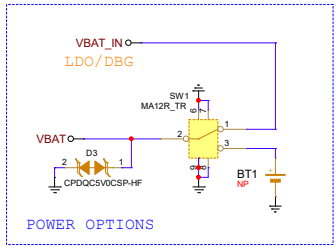
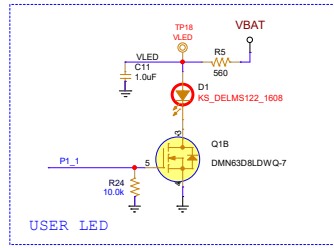
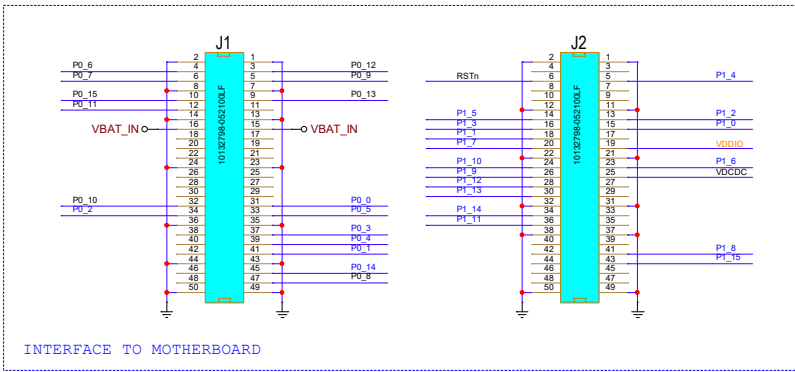
D



C



B



A