

DA1459x Devkit-Pro Daughterboard

Design Name	d2634-db-wlcsp39
Ref. Number	469-07-C
Version	C3
Date	09/Oct/2023
Designer	Panos Raftopoulos

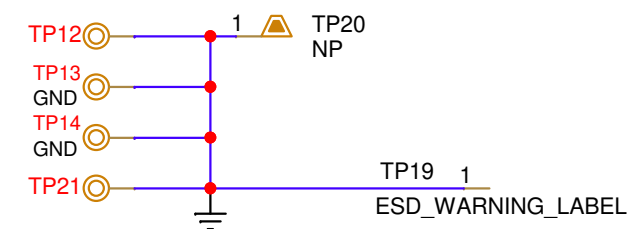
Configuration note

NOTE box

Changed in this Version.

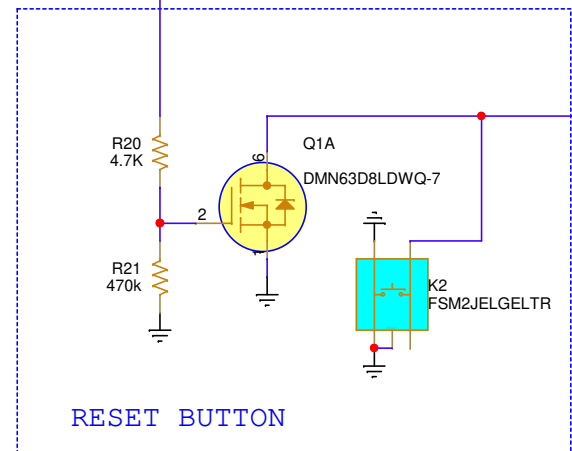
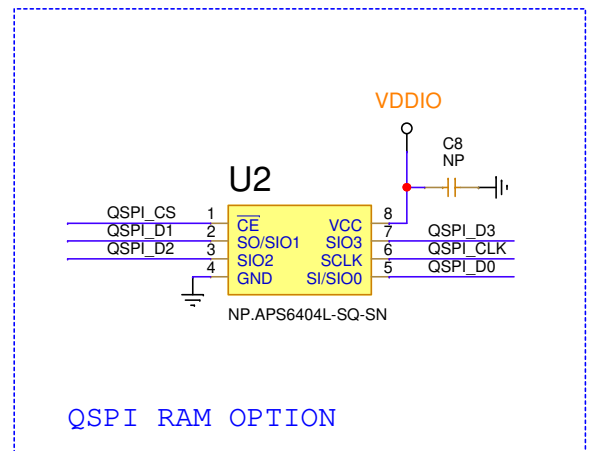
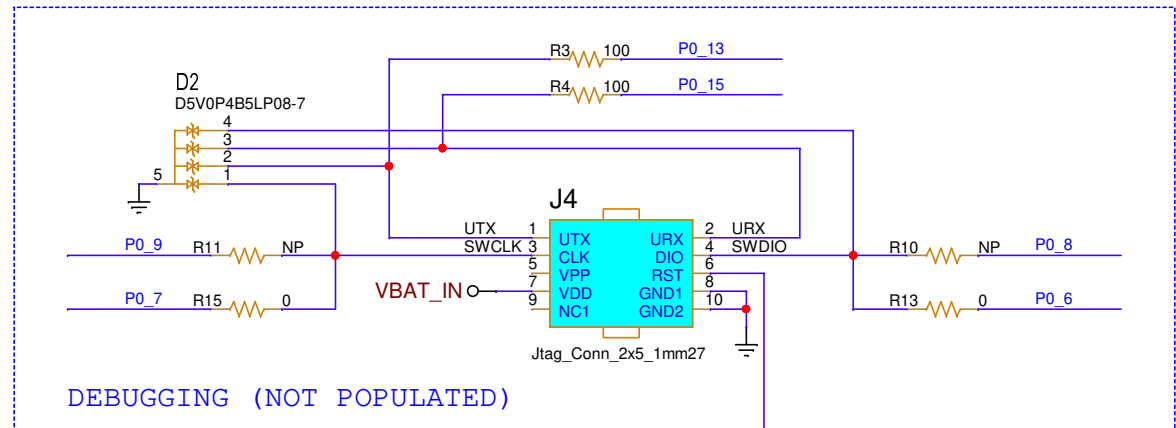
- TP10 FIDUCIAL
- TP11 FIDUCIAL

History Table		
Version	Date	Comments
A0.9	27/Feb/2020	Release for internal review
	05/Mar/2020	Added TVS diode (D3 - CPDQC5V0CSP-HF) to VBAT Changed TP20, U2 to NP Changed Z1 to 5.6nH (antenna matching) Changed Z2 to 1.0pF (antenna matching) Changed Z3 to 0.5pF (antenna matching) Changed net name on R16•2/J1•20 from P0_16 to C_TRIG(P1_2)
A1.0	09/Mar/2020 16/Mar/2020	Released B.O.M. to assembly house Added alternative package option (L1608) for L1
		Applied modifications to support extended temp. range <ul style="list-style-type: none"> • SW1 replaced with pin header J3 and jumper JS1 • Changed K2 part number to FSM4LPASTR • Changed D1 part number to KS DELMS1.22-QHRI-68-E6L4 • Changed J7 to N.P. and added Z7 (10pF) as bypass • Changed part number of Y1 to NX2016SA-32MHZ-EXS00A • Changed C2,C5,C11 to GRM033C80J105ME05E • Changed C3,C4,C6 to ZRB15XC80J106ME05D
A1.1	03/Apr/2020	Released for manufacturing
A1.2	30/Jun/2020	BOM modification: Changed J7 as populated, Z7 as NP (engineering builds only)
A1.3	22/Oct/2020	BOM modification: Changed J4 as populated, Added Note for J7
A1.4	16/Nov/2020	RF Maching changes: <ol style="list-style-type: none"> 1. Z1 changed to LQP03TG1N5B02 1.5nH 2. Z2 changed to 250R05L4R3BV4S 4.3pF 3. Z3 changed to GRM0335C1H2R7CA01 2.7pF
B	27/Apr/2023	Removed all references to dal469x mainboard Replaced J3 header with a slide switch (SW1) Removed xtal32k oprion (Y2/NP) Changed the footprint of J4 header (NP) to SMT type
C	31/Aug/2023	Modified RF traces on the PCB for impedance matching
C2	09/Oct/2023	Added filter for FCC Tx spurious 3rd harmonic limit: <ul style="list-style-type: none"> • Changed Z4 part number to LQP03TG2N8B02D • Changed Z5,Z6 part number to GJM0335C1HR70WB01D
C3	19/Oct/2024	Changed C2 to 2.2uF Changed C3,C4,C6 part number to GRM155R60J106ME05D



Renesas Electronics
N.E.O. Athinon-Patron 15
26441, Patra, Greece
tel. (+30) 2610390940
fax. (+30) 2610390941

Title : D2634/DA1459x Devkit-Pro Daughterboard		Renesas Electronics	
Doc. Nr. 469-07-C	Designer: PR	Rev: C3	
Date: Thursday, October 19, 2023	Sheet: 1 of 2		



RSTn	D4	nRST	A9	QSPI_CLK/P0_00
P0_0	R1	36	QSPI_CS/G7	QSPI_CS/P0_01
P0_1	R2	36	QSPI_D0/C9	QSPI_D0/P0_02
P0_2	R6	36	QSPI_D1/D8	QSPI_D1/P0_03
P0_3	R7	36	QSPI_D2/B8	QSPI_D2/P0_04
P0_4	R8	36	QSPI_D3/E7	QSPI_D3/P0_05
P0_6			B6	M33_SWCLK/P0_07
P0_7			A7	M33_SWCLK/P0_07
P0_8			D6	CMAC_SWCLK/P0_09
P0_9			C7	CMAC_SWCLK/P0_09
P0_10			C5	P0_10
P0_11			E5	P0_11
P0_12	R12	0	H4	P0_12
P0_13			G5	P0_13
P0_14	R14	0	J3	P0_14
P0_15			J5	P0_15
P1_0			J1	P1_00
P1_1			H2	P1_01
P1_2			G3	P1_02

