

DA1468x DevKit PRO Motherboard

Design Name	da14680-mb-pro
Ref. Number	224-12-E
Version	E00
Date	Apr, 18, 2016
Designer	PR

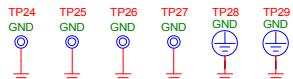
Configuration note

NOTE box

Changes in this Version.

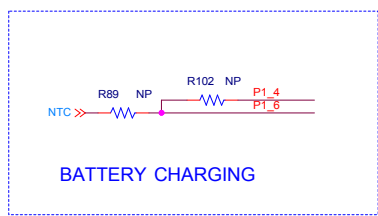
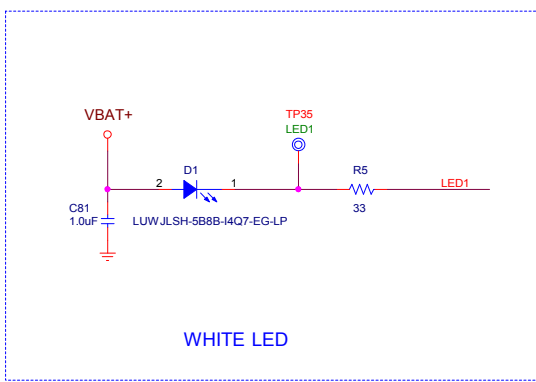
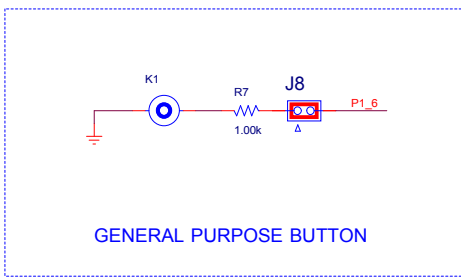
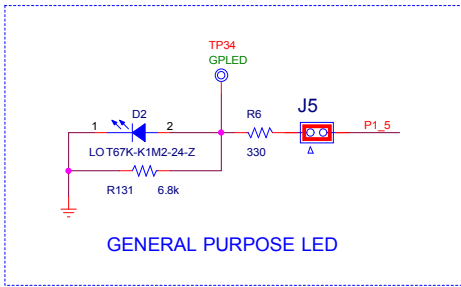
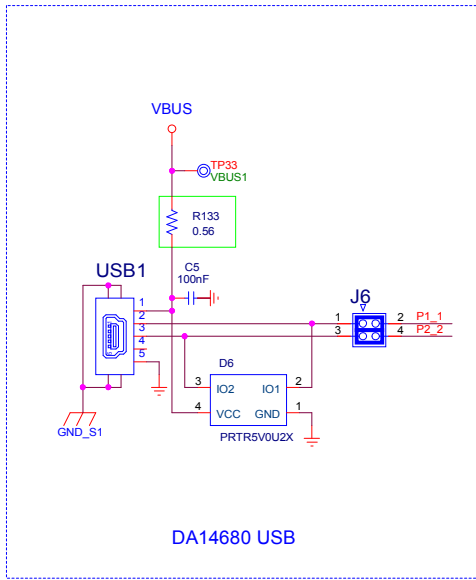
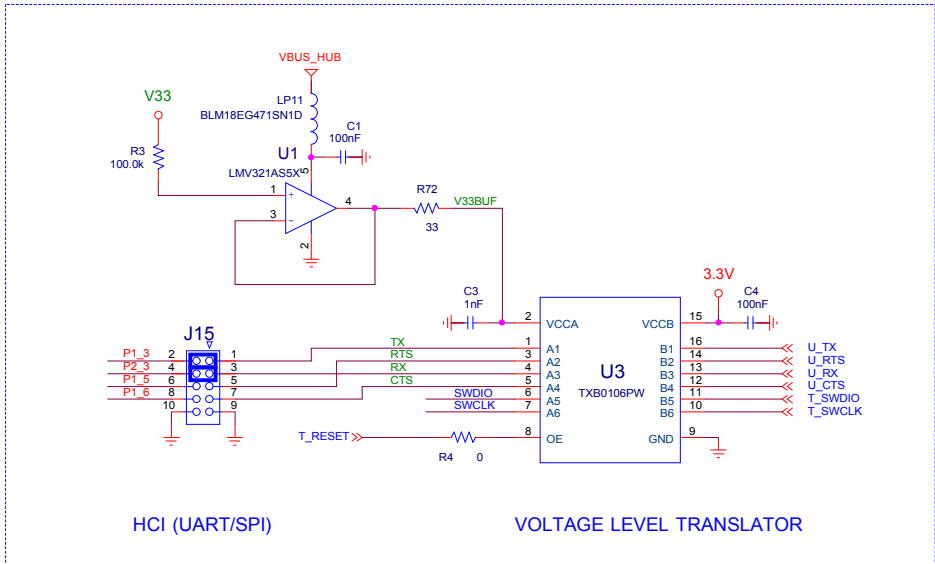
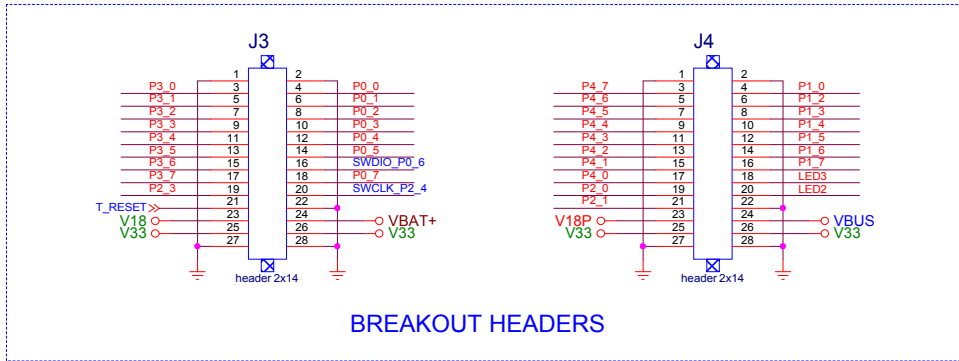
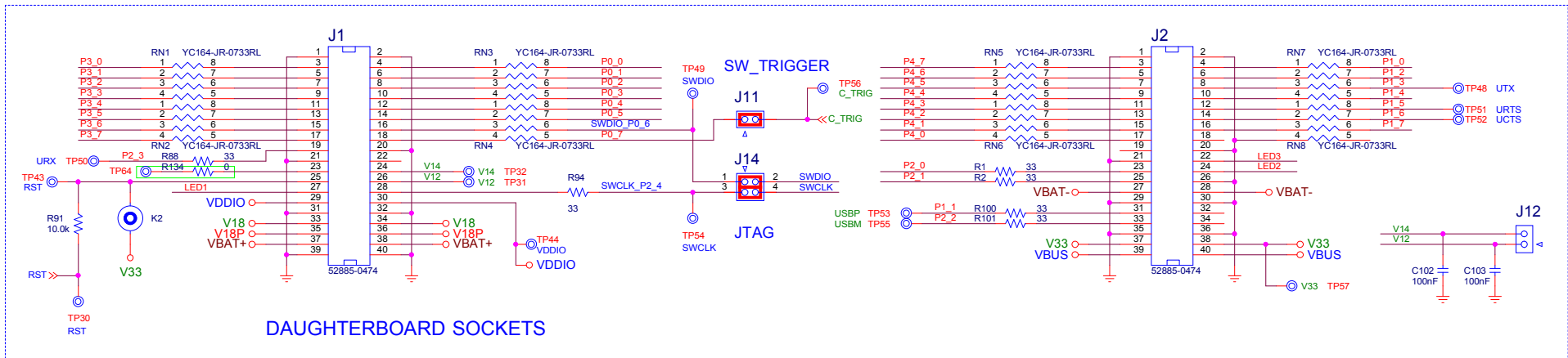
Version	Date	Comments
B00	25 / Jul / 2015	Initial Release
B01	18 / Sep / 2015	Changed R72, R79 to 33 ohm Changed R121 to 3.9k Changed R112, R113 to 10M Changed R128 to 0 ohm
C00	21 / Oct / 2015	Added space for version control label
C01	15 / Dec / 2015	Changed LP1 to 0.56 ohm resistor
D00	18 / Dec / 2015	Optimizations on the current measurement circuit Changed reset button logic (so that it will work independed from the process of power in the support circuits) Added D11 in series with RST (avoid leakage on RESET pressing) Added U20 (negative bias for U9)
D01	30 / Mar / 2016	Changed R119 to 100k Changed R118 to 10k Changed R113 to 0.56ohm Changed C43 to 100nF
E00	18 / Apr / 2016	Added option for battery charging analysis (not populated) Added D12 (blue LED sleep/awake status) Changed TP28, TP29 to 1206 probe pins (cost reduction) Modified power input of U18 to VDD_3V3_PERF Added C115, LDO FC cap Added R134,TP64 (option for future expansion) Added J18 (opron for battery connector) Modified power input of U20 to VDD_3V3_PERF Changed LP1 part reference to R133 Changed R71 to 10k Changed R85 to 0 ohm
	29 / Jun / 2016	Added resistor 174k, 0.5% in place of C100

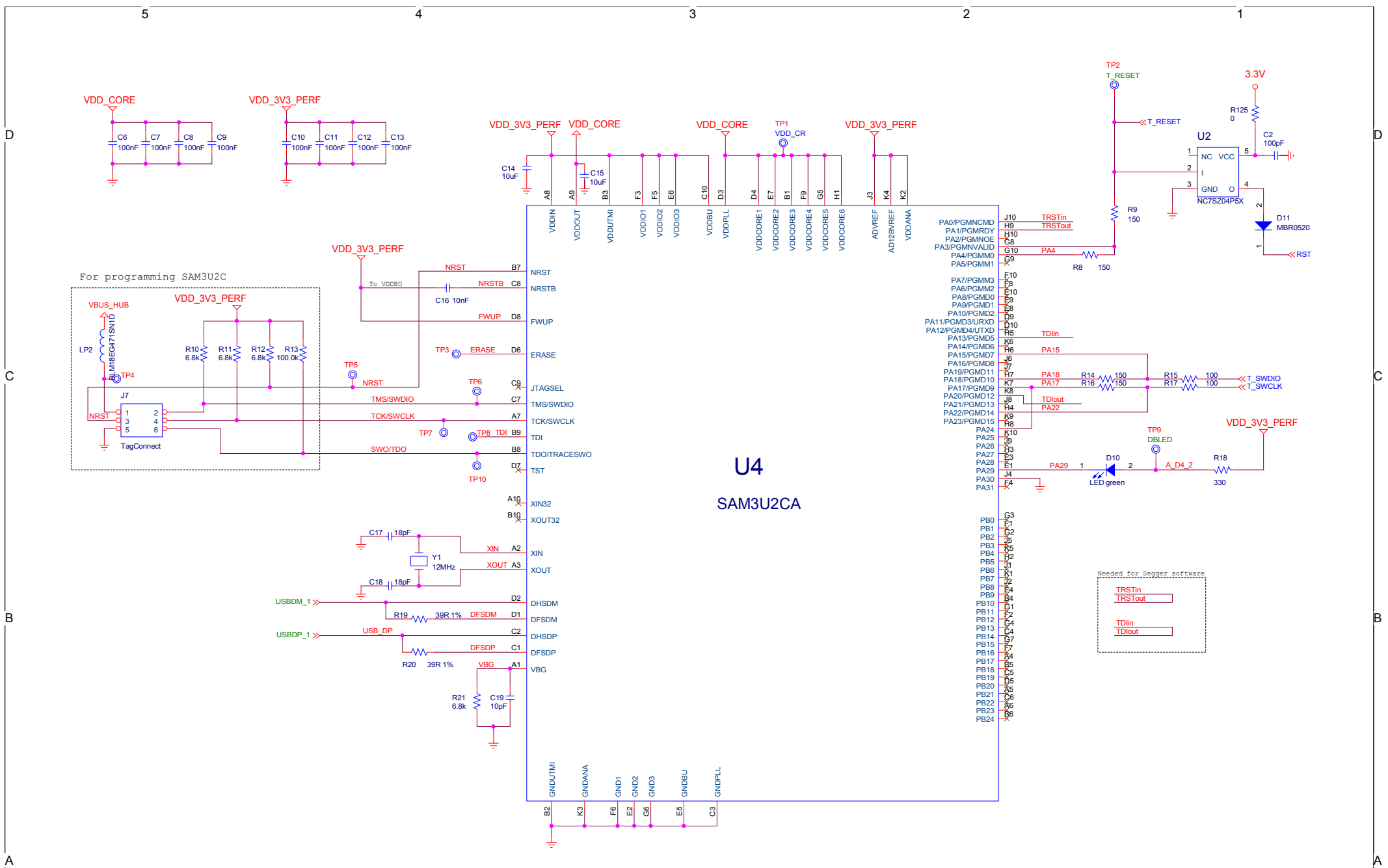
- ⊖ TP45 FIDUCIAL
- ⊖ TP46 FIDUCIAL
- ⊖ TP47 FIDUCIAL



<Core Design>

	Dialog Semiconductor N.E.O. Patron Athinon 15 26441, Patras, Greece tel. (+30) 2610390940 fax. (+30) 2610390941		
	Title: <Title>	<OrgName>	
Doc. Nr. <Doc>	Designer: <OrgAddr1>	Rev: <RevCode>	
Date: Wednesday, June 29, 2016	Sheet: 0	of 4	





U4
SAM3U2CA

Needed for Segger software

TRSTin
TRSTout

TDlin
TDlout

