

# DA14695 Module SB

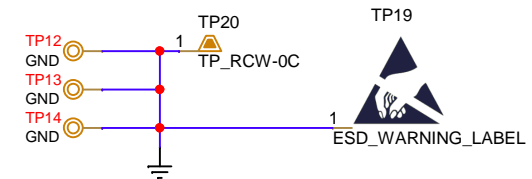
Design Name	DA14695_SB_Module_Intrf
Ref. Number	331-39-B
Version	B
Date	22/Nov/2022
Designer	KR
Family	D2522


History Table		
Version	Date	Comments
A1.0	5/July/2022	Released to Mnf.
B1.0	12/Oct./2022	1. J13(SMA RF Conn.), C33,C25,C26 removed 2. J4 Jtag conn & J6 Batt. conn. changed to pop. 3. J33 PIN (RF PATH) on module Intrf. deleted

Configuration note

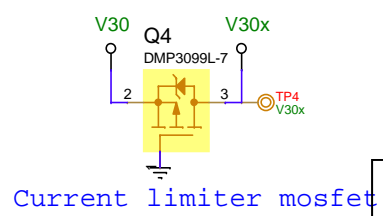
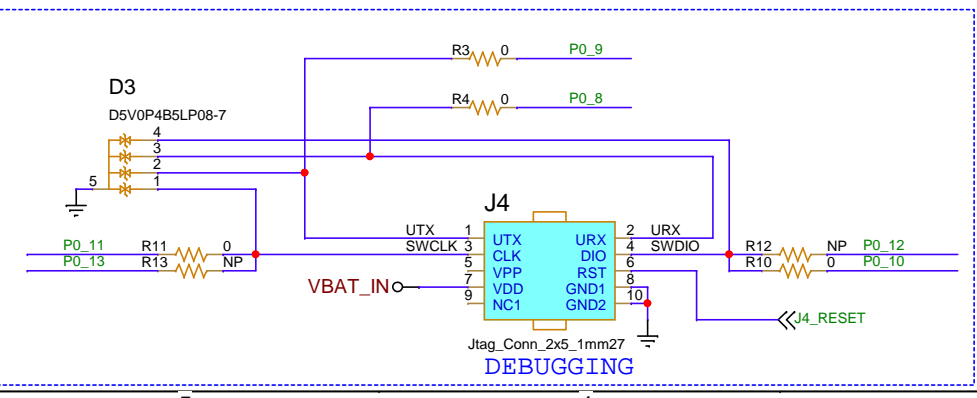
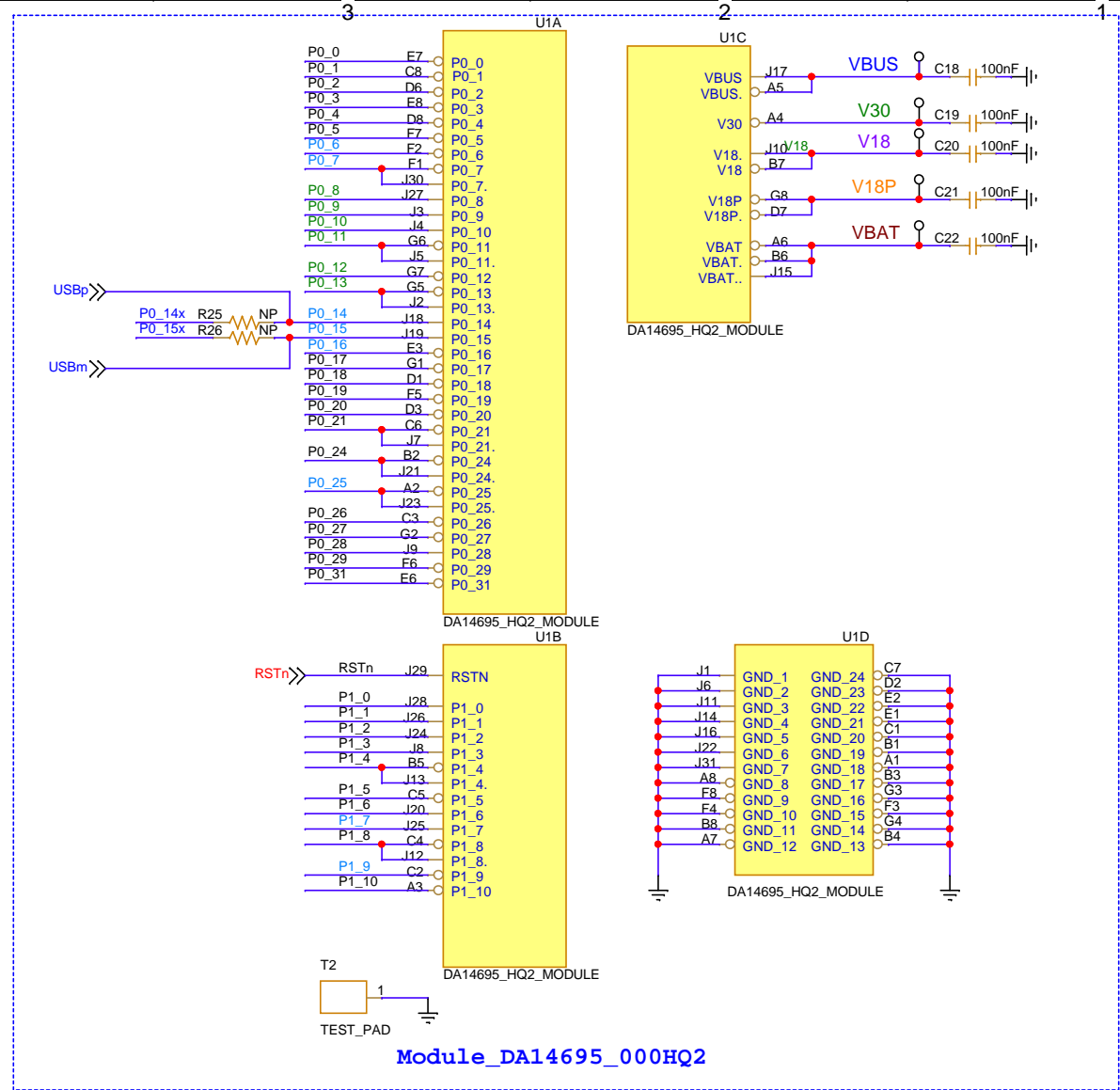
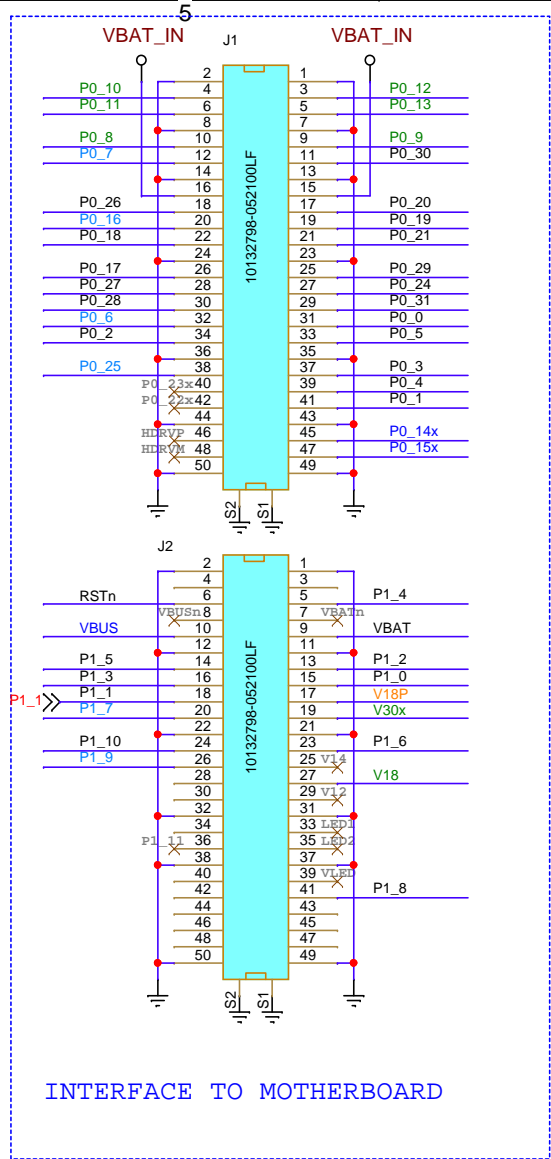
NOTE box

Changes in this Version.




 Renesas Electronics  
 N.E.O. Patron-Athinon 15  
 26441, Patra, Greece  
 tel. (+30) 2610390940  
 fax. (+30) 2610390941

Title : DA14695_SB_Module_Intrf		
Doc. Nr. 331-39-B	Designer: KR	Rev: B
Date: Tuesday, November 22, 2022	Sheet: 1 of 3	



**RENEASAS**

Renesas Electronics  
 N.E.O. Patron-Athionon 15  
 26441, Patra, Greece  
 tel. (+30) 2610390940  
 fax. (+30) 2610390941

Title : DA14695_SB_Module_Intrf			
Doc. Nr. 331-39-B	Designer: KR	Rev: B	
Date: Tuesday, November 22, 2022	Sheet: 2	of 3	

