

DA1469x Reference Design

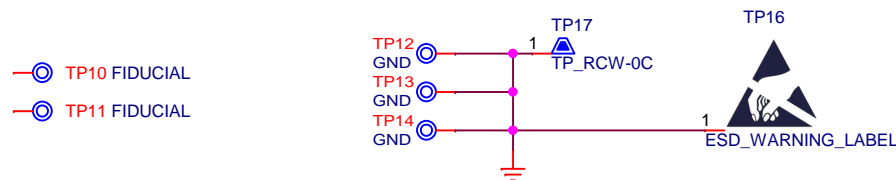
| | |
|-------------|------------------|
| Design Name | 2522-devkt-b-usb |
| Ref. Number | 331-22-C |
| Version | C |
| Date | Nov 27, 2018 |
| Designer | |

| Version | Date | Comments |
|---------|-------------|---|
| A0.0 | 28/May/2018 | Internal review release |
| | 28/Jun/2018 | Added option for soic8-150mil package and changed default flash type to W25Q80EWSNIG (same as pro devkit) |
| | 29/Jun/2018 | Added polarity notch mark on top silk for MikroBUS click boards |
| | 02/Jul/2018 | Added testpoints for USBDP_2, USBDM_2 Added testpoint for the red LED (D7) |
| | 02/Jul/2018 | Added option (R51) to drive BRSTn from P0_12 Changed tactile switch (K1,K2) type to EVP-AKE31A (side-activated) |
| | 12/Jul/2018 | Added option to power the external 3.0V devices with an LDO (U8 - default option) instead of V30 |
| | 17/Jul/2018 | Added option for U5 in soic8-208mil package Changed default flash type to MX25U3235FM2I-10G (32 Mbit) |
| A1.0 | 30/Jul/2018 | Changed default flash type to W25Q32JWSSIQ Changed part number for C29, Z5 to GRM1555C1H100GA01D Released B.O.M. to manufacturing |
| | 03/Aug/2018 | Added testpoint (TP48) for VBUS_IN on bottom |
| | 06/Sep/2018 | Changed default flash type to MX25U3235FM2I-10G Removed V30x Powering Option (U8) Added a current limiter mosfet (Q4) on V30L, changed R55 to N.P. Changed C38 to 2.2uF/25V Replaced R48,R49 with diodes D9(RB531SM-30) and D10 (NP) Re-allocated MikroBUS socket #2 (avoiding the QSPI-RAM GPIOs) |
| | 08/Oct/2018 | Added N.P. connector (J8, bottom) carrying GPIOs P0_0 to P0_5 Added testpoints (TP49, TP50) for SWDIO, SWCLK Changed C27, C28 to 10uF/0402 |
| B0.0 | 25/Oct/2018 | Released to internal review |
| B1.0 | 12/Nov/2018 | Released to manufacturing |
| B1.1 | 27/Nov/2018 | Updated layout files (some mask issues, added note for USB cutout) Changed default power to VBUS (Jumper shunt moved from J3 to J2) |
| C0 | 13/Dec/2018 | Change power supply to MikroBus sockets from VBUS to VBUS_OUT Add R58 (0 ohm) for supplying QSPI Flash from V18P Released to manufacturing |

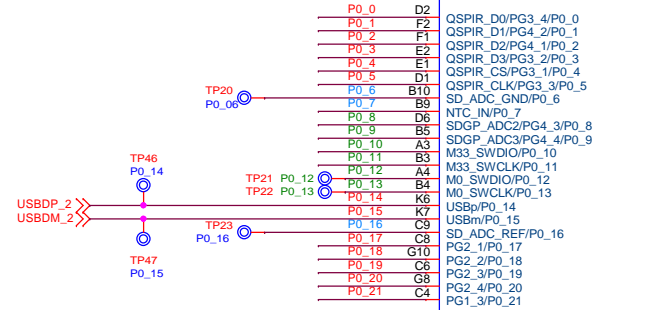
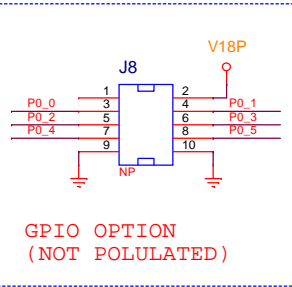
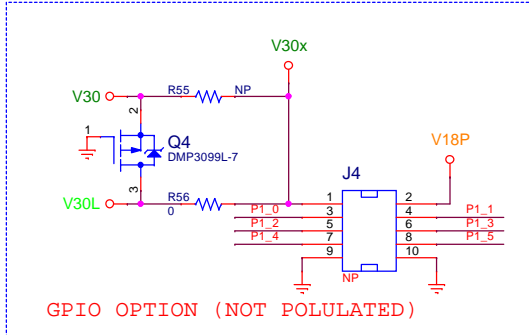
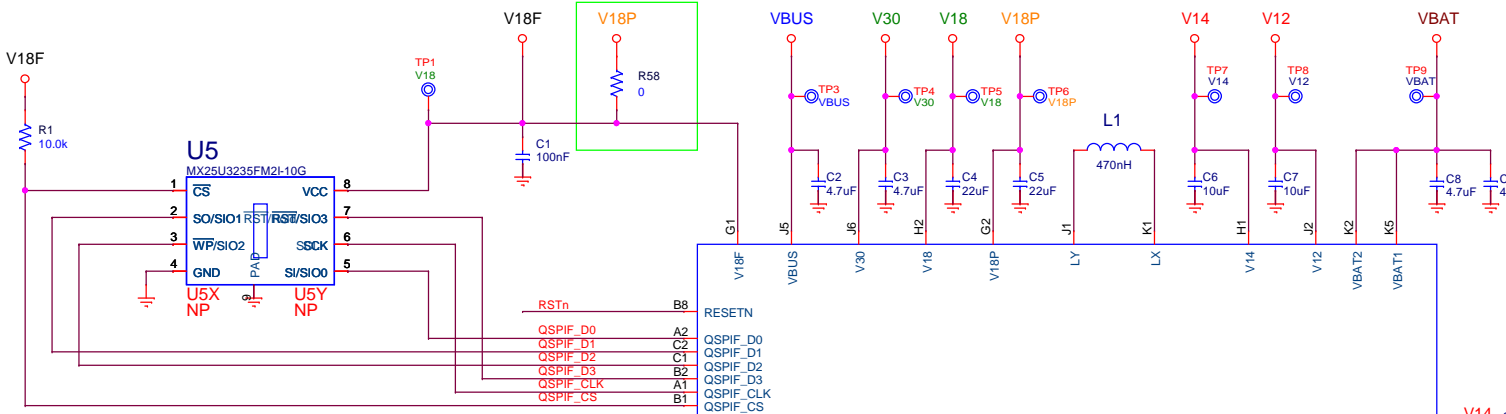
Configuration note

NOTE box

Changes in this Version.

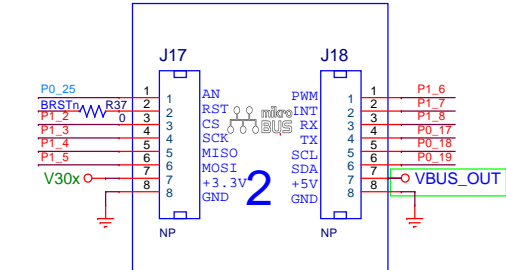
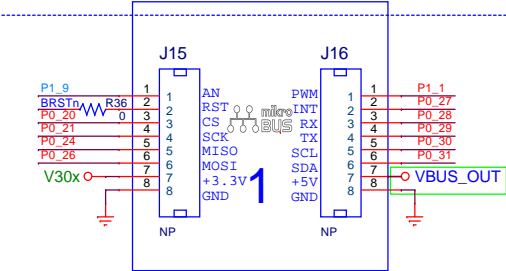
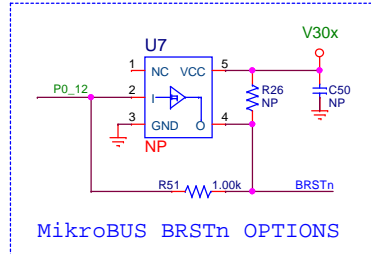
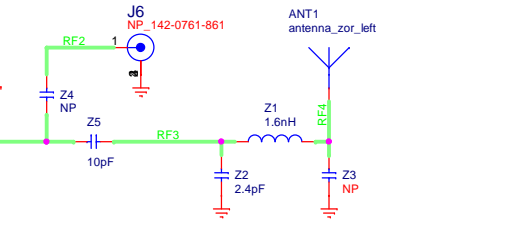
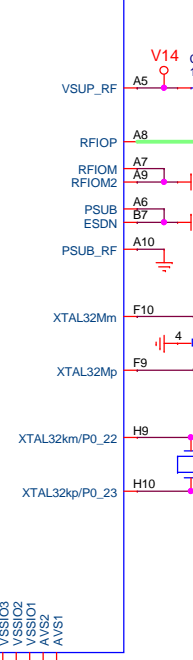



 Dialog Semiconductor
 N.E.O. Patron-Athinon 15
 26441, Patras, Greece
 tel. (+30) 2610390940
 fax. (+30) 2610390941

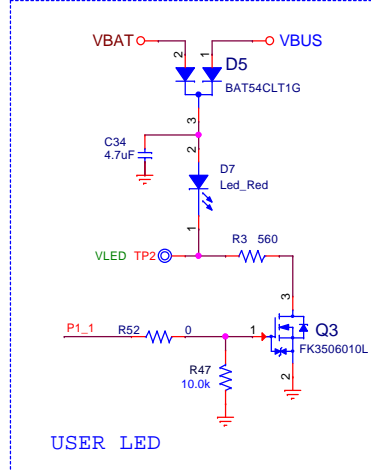
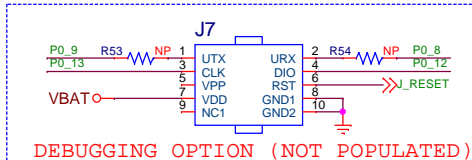
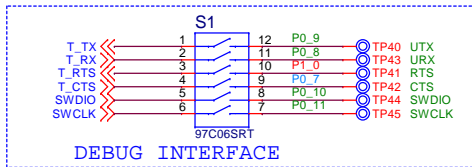
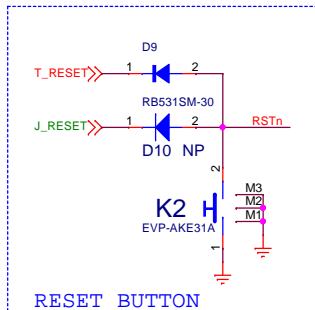
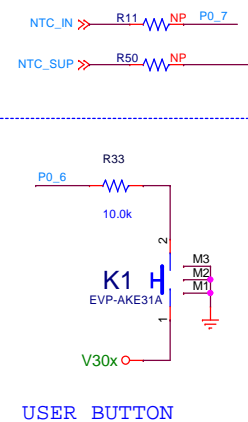


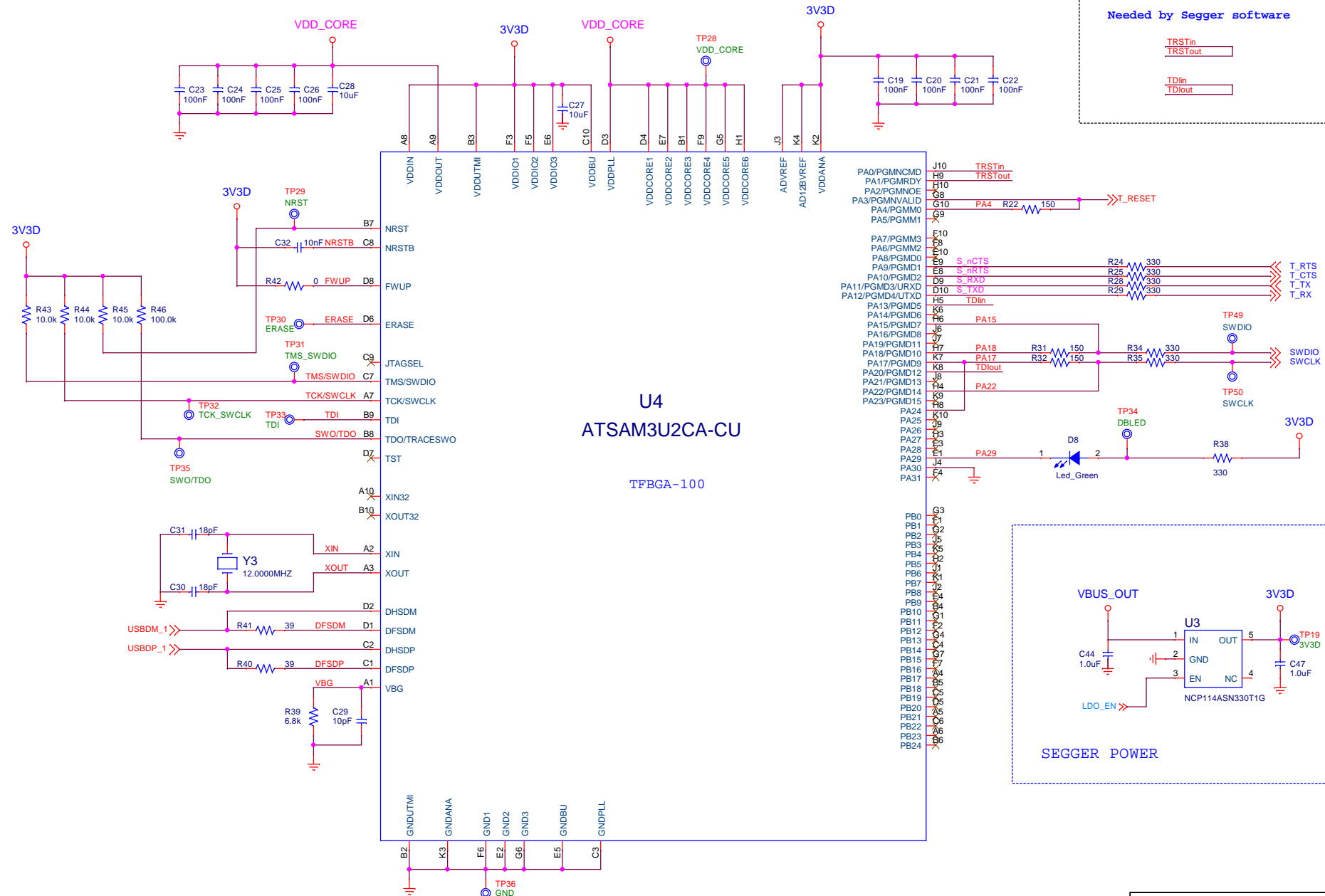
U1

DA14695-VFBGA86



MikroBUS SOCKETS (NOT POPULATED)





Needed by Segger software

TRSTin
TRSTout
TDIin
TDIout

U4
ATSAM3U2CA-CU
TFBGA-100

SEGGER POWER

Dialog Semiconductor
N.E.O. Patron-Athion 15
26441, Patras, Greece
tel. (+30) 2610390940
fax. (+30) 2610390941

Title : DA14695 Development Kit Basic
Doc. Nr. 331-22-C | Designer: PR
Date: Thursday, December 13, 2018 | Sheet: 3 of 4

