

# DA1469x DevKit Pro Mainboard

Design Name	2522-mb-pro
Ref. Number	331-07-C
Version	C1.0
Date	Nov 13, 2018
Designer	PR

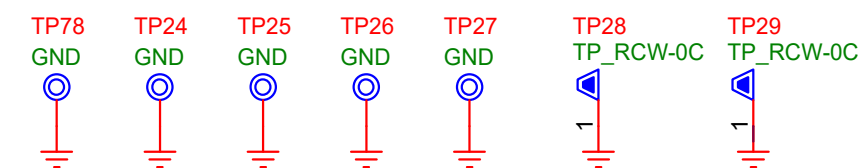
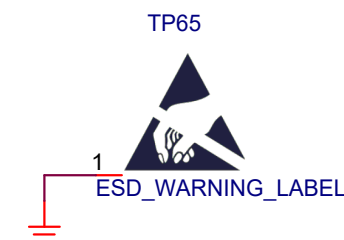
Configuration note

NOTE box

Changes in this Version.

Version	Date	Comments
A0.0	04 / Oct / 2017	Draft for internal review
	26 / Oct / 2017	Release for internal review
	16 / Nov / 2017	Release for final review
A1.0	22 / Nov / 2017	Release to manufacturing
B0.0	05 / Jan / 2018	Set R4, D9 as not populated
	30 / Jan / 2018	Changed TP3216 footprint to single pad (TP28, TP29)
	05 / Feb / 2018	Changed C88 to non-populated
	24 / Apr / 2018	Changed Q1,Q2,Q3 type to BSS138L Changed U21 OE pin connection - R4 populated, connected to VDDIO - R149 set as not populated Added options to drive BRSTn (MikroBUS/Arduino reset) - R309 -> always high (default) - R308 -> controlled by P0_12 Set D3 as not populated (disable reset from J-Link) Added options for current measurement circuit - R310, R311 (N.P.) - R312, R313 (0 ohm) - C119, C120 (N.P.) - C121, C122 (1uF) - R314 (N.P.)
B1.0	15 / May / 2018	Released to manufacturing
C0.0	19 / Sep / 2018	Changed R308 to 1k, R309 to N.P. (BRSTn controlled by P0_12) Changed Q1,Q2,Q3 type to FDV301N Added bottom testpoints for T_SWCLK Changed Arduino/MikroBUS D0..D5 to 3V-capable GPIOs Removed R86..R91 Changed D3, D8 type to RB531SM-30 Set D3 as populated -> allow J-Link hardware reset Rearranged the signals on J10 (haptic motor) and added a jumper shunt to enable/disable JTAG reset Changed R148 to N.P. Updated several parts as obsoleted/EOL and some with environmental compliance problems
C1.0	21 / Nov / 2018	Released to manufacturing

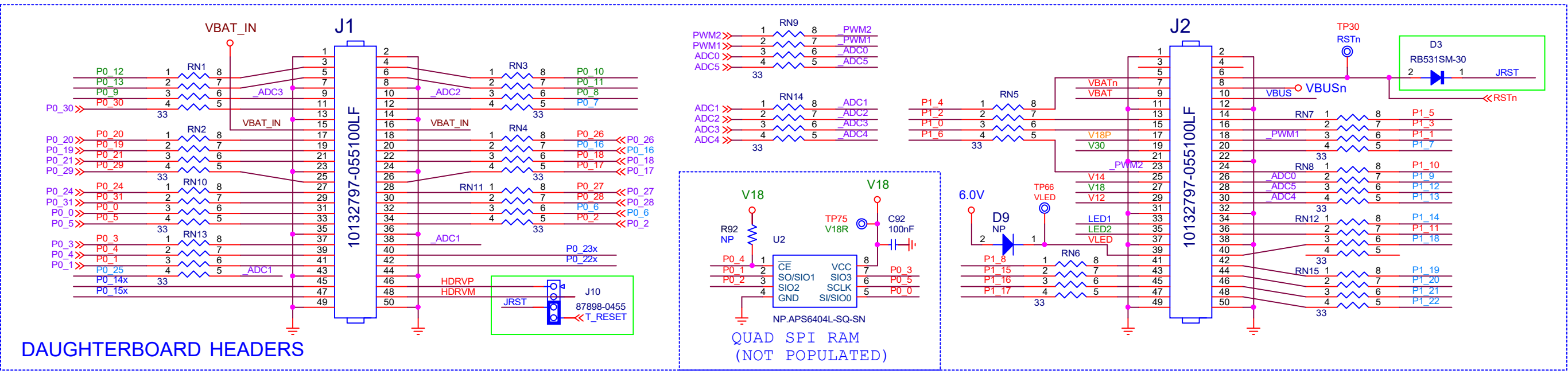
- ⊙ TP71 FIDUCIAL
- ⊙ TP72 FIDUCIAL
- ⊙ TP73 FIDUCIAL
- ⊙ TP45 FIDUCIAL
- ⊙ TP46 FIDUCIAL
- ⊙ TP47 FIDUCIAL



Dialog Semiconductor  
N.E.O. Patron-Athinon 15  
26441, Patras, Greece  
tel. (+30) 2610390940  
fax. (+30) 2610390941

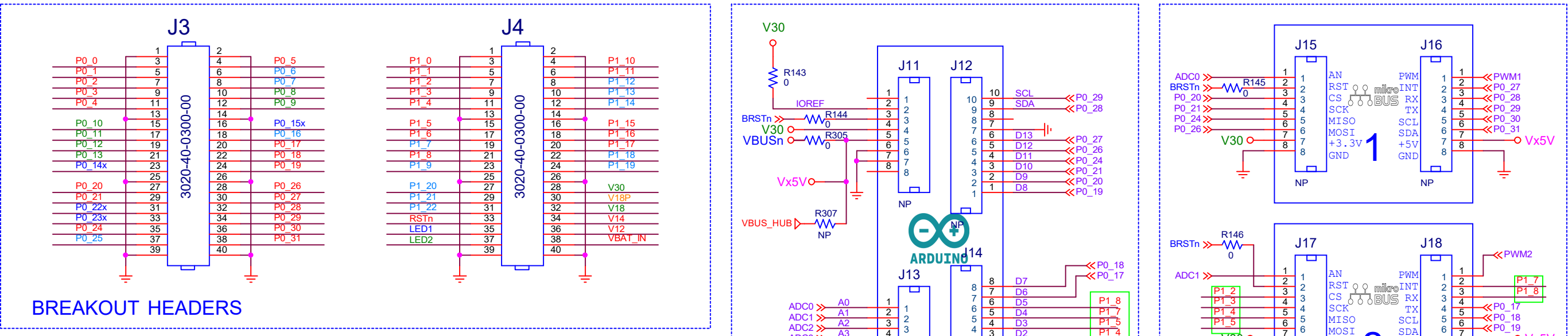
D

D



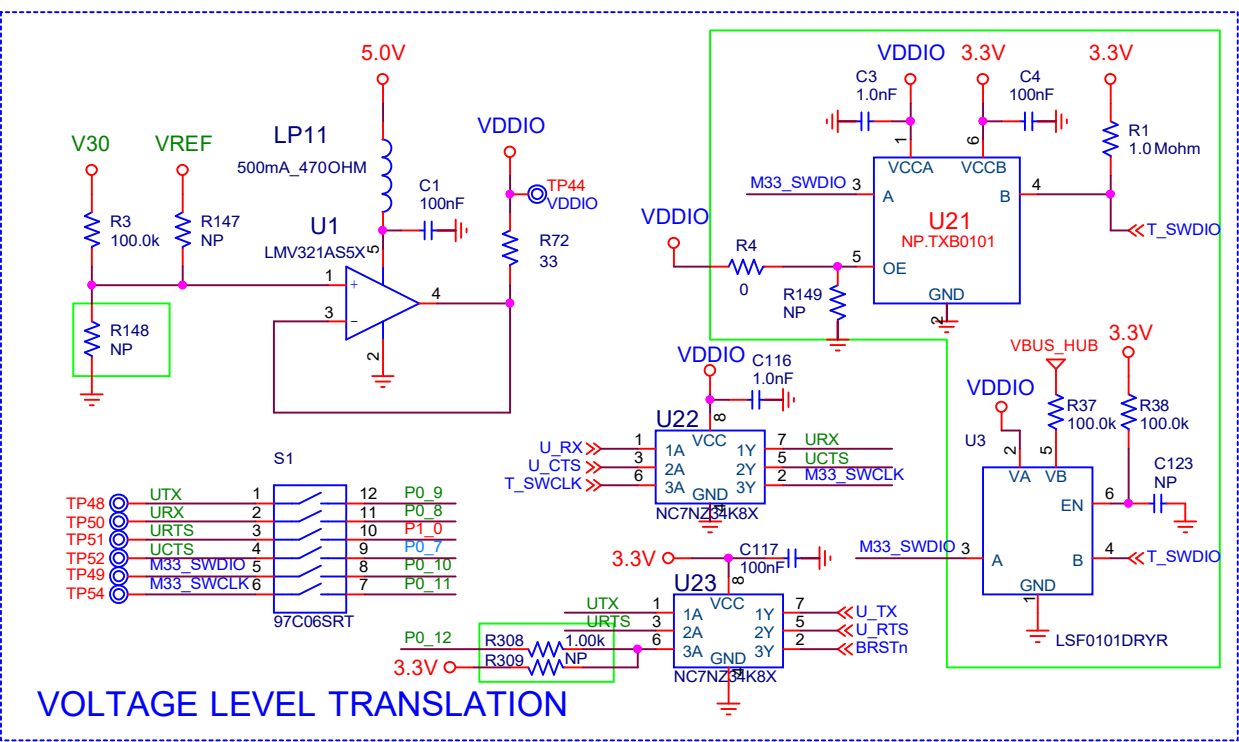
C

C



B

B

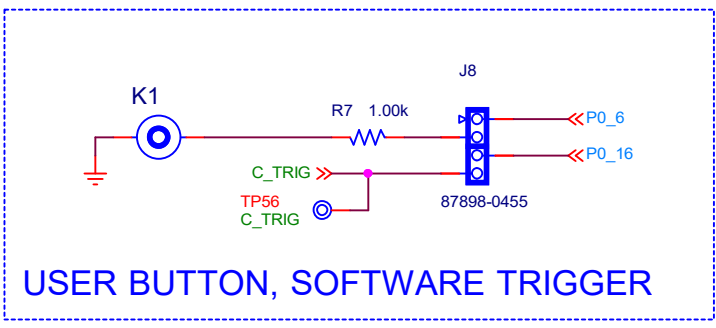
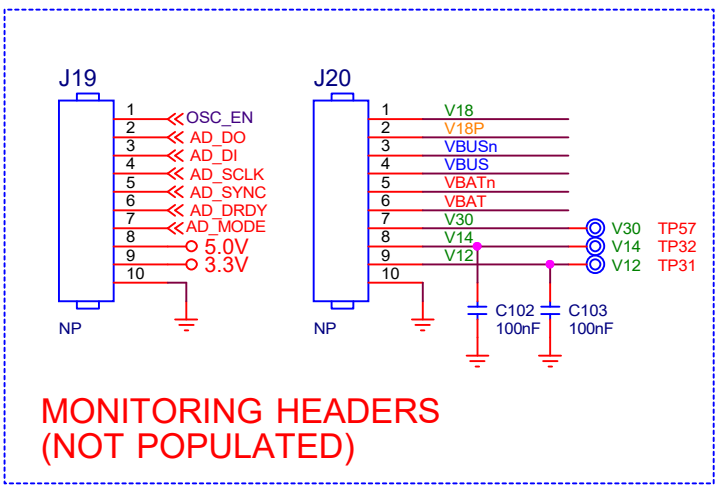


A

A

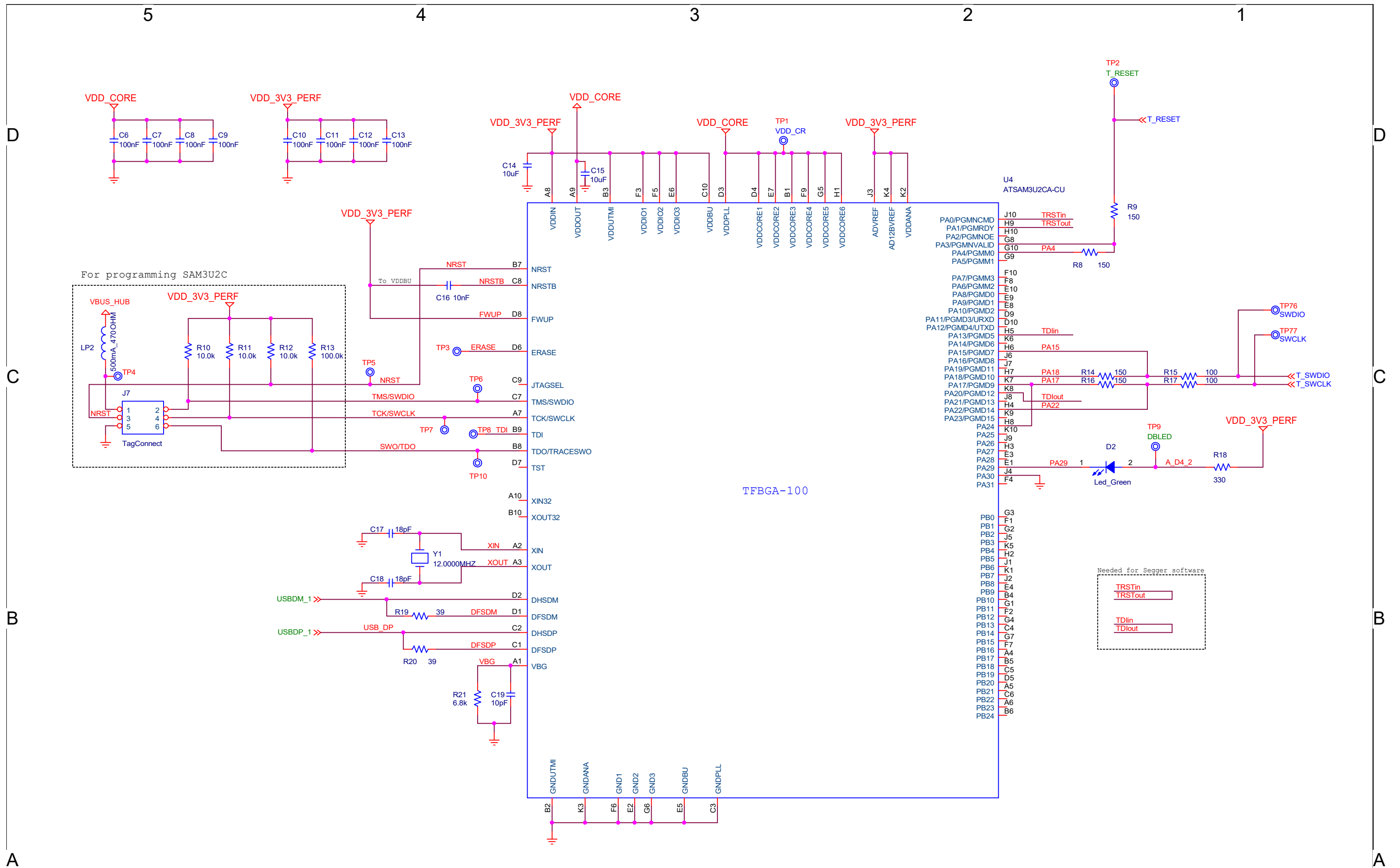
**ARDUINO SOCKETS (NOT POPULATED)**

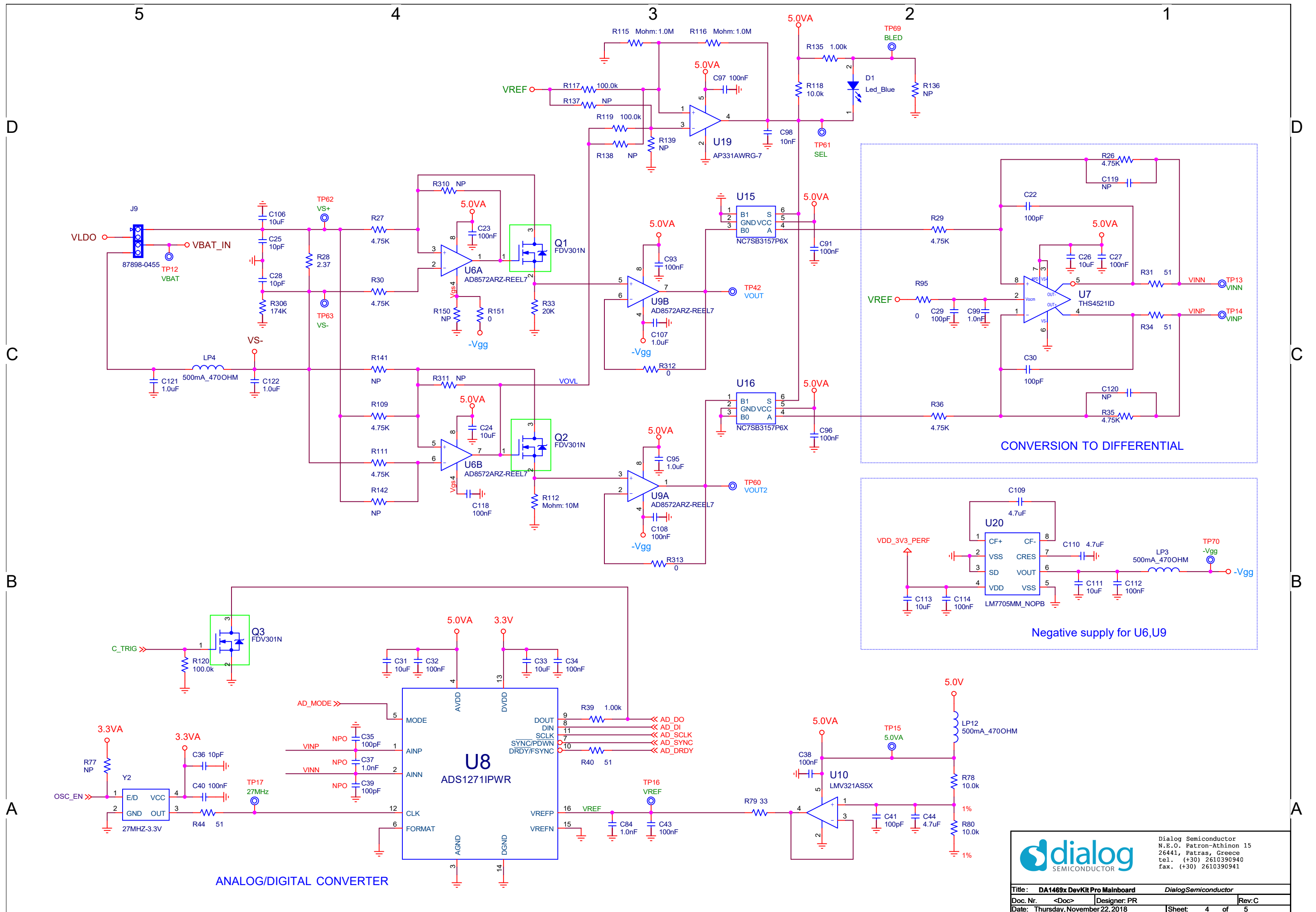
**MikroBUS SOCKETS (NOT POPULATED)**



**dialog SEMICONDUCTOR**

Dialog Semiconductor  
N.E.O. Patron-Athinion 15  
26441, Patras, Greece  
tel. (+30) 2610390940  
fax. (+30) 2610390941





D

C

B

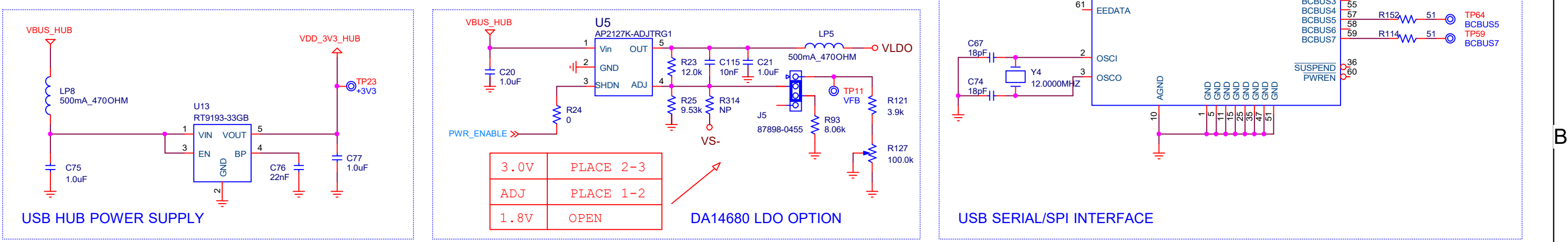
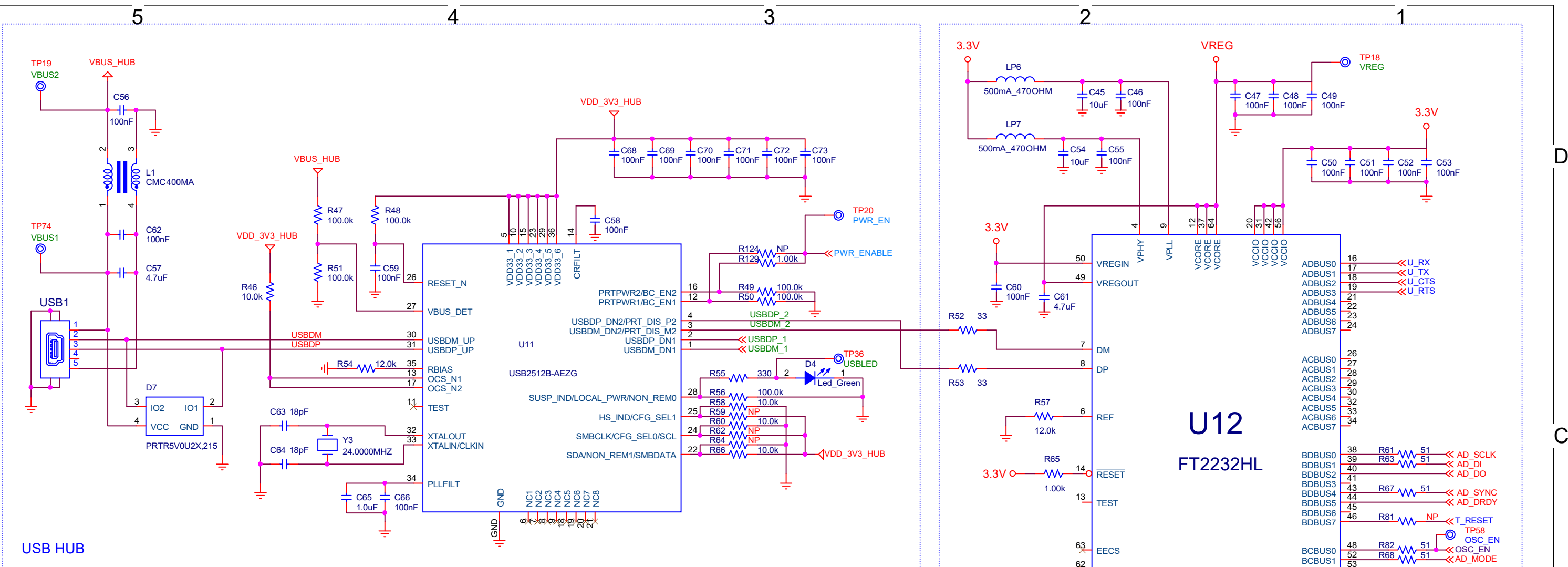
A

D

C

B

A



**dialog SEMICONDUCTOR**

Dialog Semiconductor  
 N.E.O. Patron-Athina 15  
 26441, Patras, Greece  
 tel. (+30) 2610390940  
 fax. (+30) 2610390941

Title: DA1469x DevKit Pro Mainboard	Dialog Semiconductor
Doc. Nr. <Doc>	Designer: PR
Date: Thursday, November 22, 2018	Sheet: 5 of 5