

DA1470x QSPI LCD Daughterboard

Design Name	da1470x-sb-E120A390QSR
Ref. Number	500-31-E
Version	E
Date	6/APR/2022
Designer	KL (Versions changes: KR)
Family	D2798

History Table		
Version	Date	Comments
A.1	15/JULY/2021	Release
B.1	3/AUG/2021	R27,R28= 0 OHM
C.1	2/NOV/2021	Major PCB changes C10, C11 : changed to pop 1uF
D.1	2/MAR/2022	1. Major PCB changes: Lcd placement changed by 180 degrees 2. R17, R18 changed from NP to 10K
E.1	6/APR/2022	1. R3, R23 (previously NP) removed 2. R46, Res pulldown 10 Kohm added on IM0/ R45 changed to Pullup 10Kohm added ohm IM1 3. Test Point on T3p,T3N,T3CP,T3CN removed. Short to GND added 4. R27,R28 changed to NP 5.R17,R18 changed to 10K from NP 6. Switch NCP333FCT2G added on VCI path. Is enabled by the P107 GPIO (DCDC_EN) 7.R2 changed to NP 8.C14: 1uF added

Configuration note

NOTE box

Changes in this Version.


TP5 FIDUCIAL

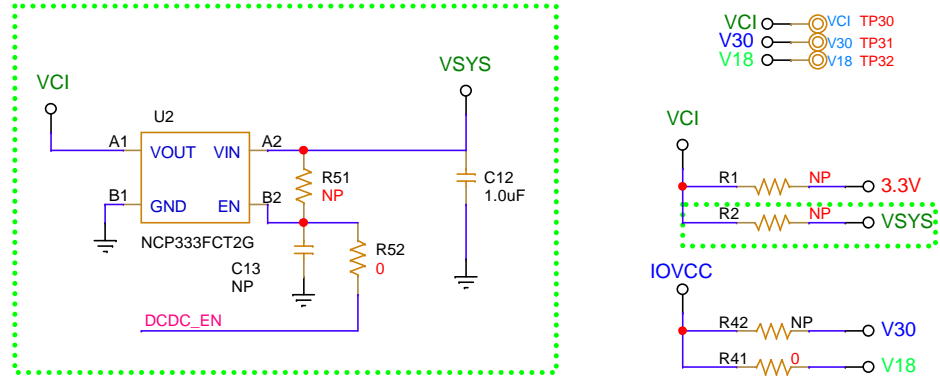
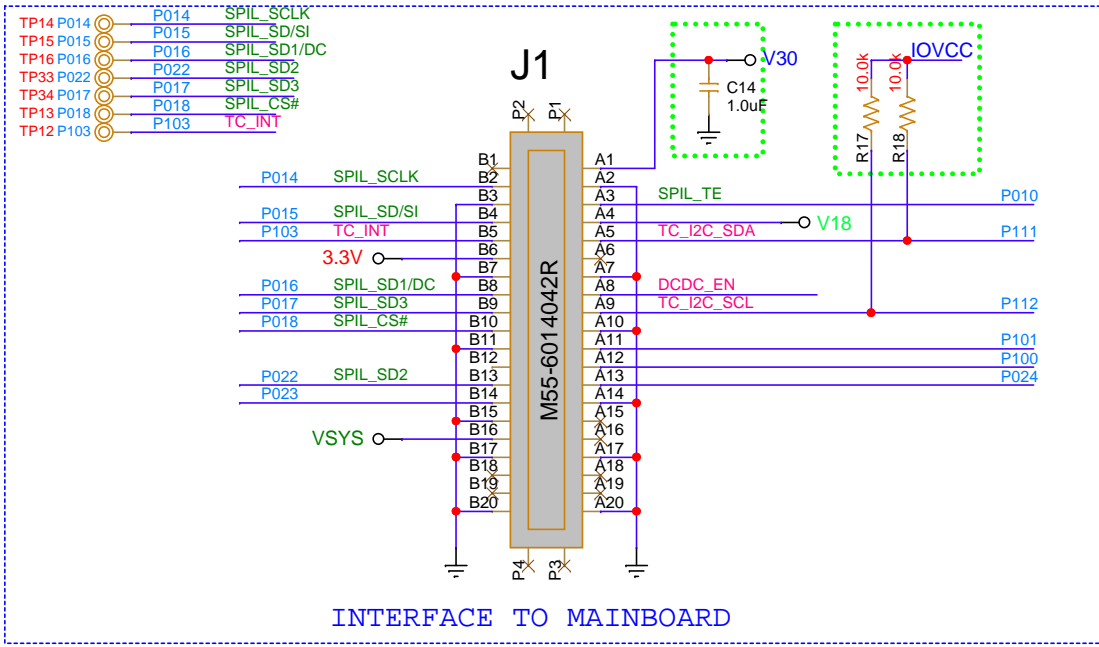
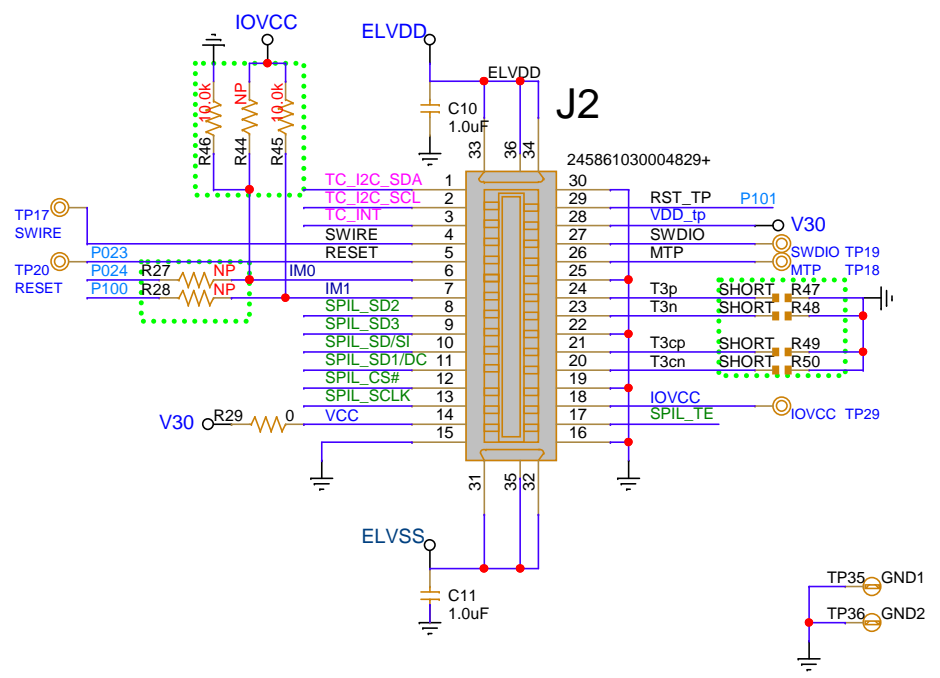
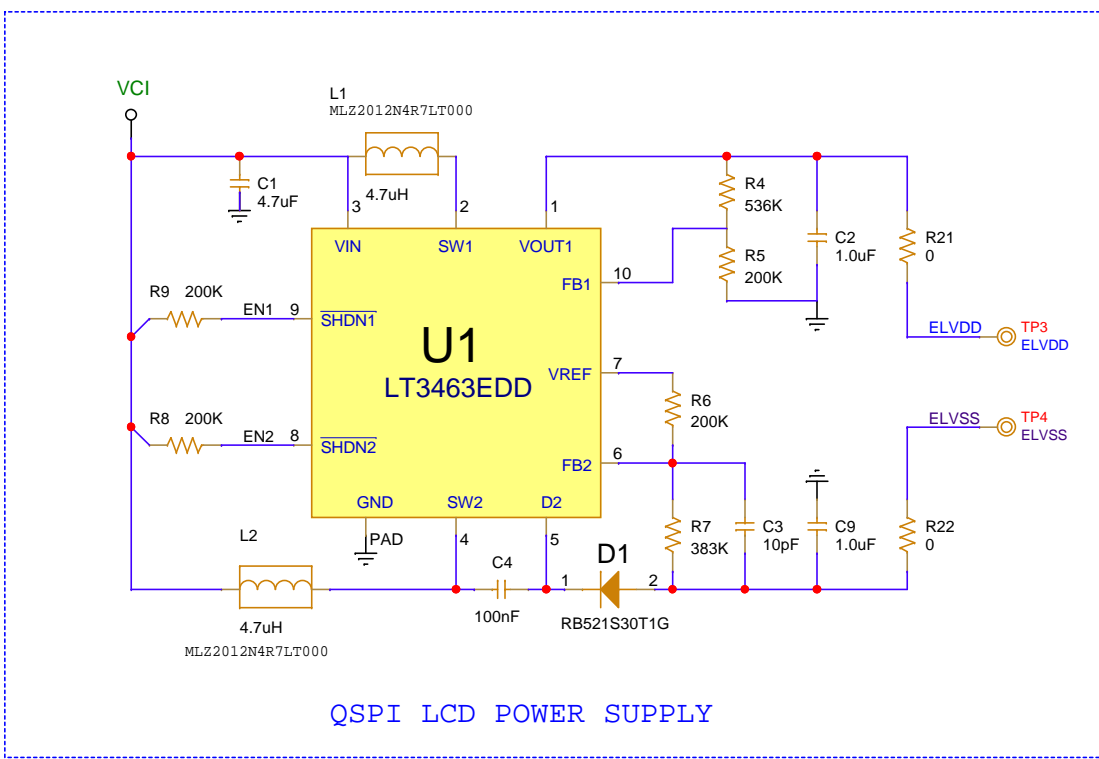
TP6 FIDUCIAL

RENESAS LABEL



<Core Design>

		Renesas Electronics N.E.O. Patron-Athion 15 26441, Patra, Greece tel. (+30) 2610390940 fax. (+30) 2610390941	
		Title : da1470x-sb-E120A390QSR <OrgName>	
Doc. Nr.	500-31-E	Designer:	KL
Date:	Wednesday, April 06, 2022	Rev:	E
Sheet: 1 of 2			



<Core Design>

Renesas Electronics
 N.E.O. Patron-Athion 15
 26441, Patra, Greece
 tel. (+30) 2610390940
 fax. (+30) 2610390941

Title : da1470x-sb-E120A390QSR		<OrgName>	
Doc. Nr. 500-31-E	Designer: KL	Rev: E	
Date: Wednesday, April 06, 2022	Sheet: 2 of 2		