

M2C2

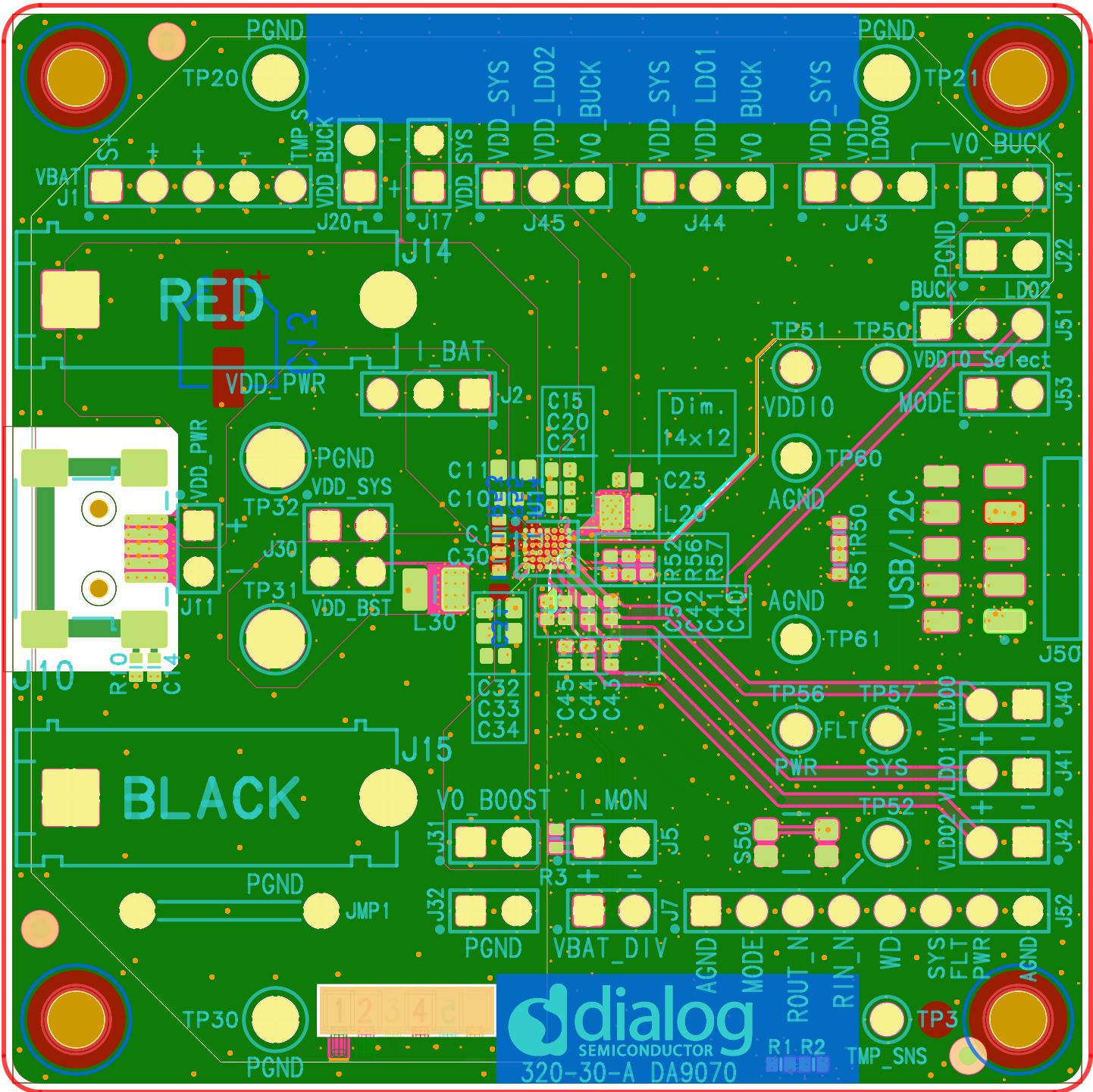
M2C3

M2C1

M2C4



455
255
□
150



dialog
SEMICONDUCTOR
320-30-A DA9070

RED

BLACK

USB/I2C

R1 R2

TMP_SNS