

| | | | | |
|--|-------------------------------------|--------------------|---|----------------------------|
| SCHEMATIC TEMPLATE REV.xdxd_V7 (01-06-2017) | | SIZE A3L | TITLE: DA9070 / 73 demo board VARIANT: Master Sch no Var defined | |
| DESIGNED BY: Allan Fisher Harald Bernrader-Hauns | SAVED DATE: | 320-30-A1 | | |
| REVIEWED BY: AF, GC SO, HT, NU, KY, KH | REVIEWED DATE: 16/02/2022 | DRAWING No: | SHEET NAME: Power | PAGE: 2 of 3 |

A

B

C

D

E

F

1

1

2

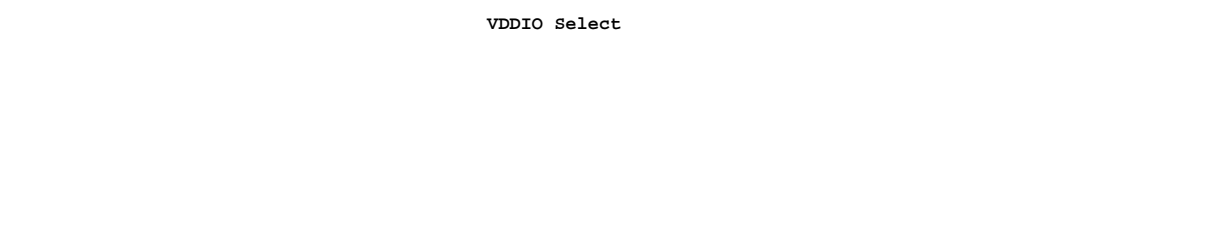
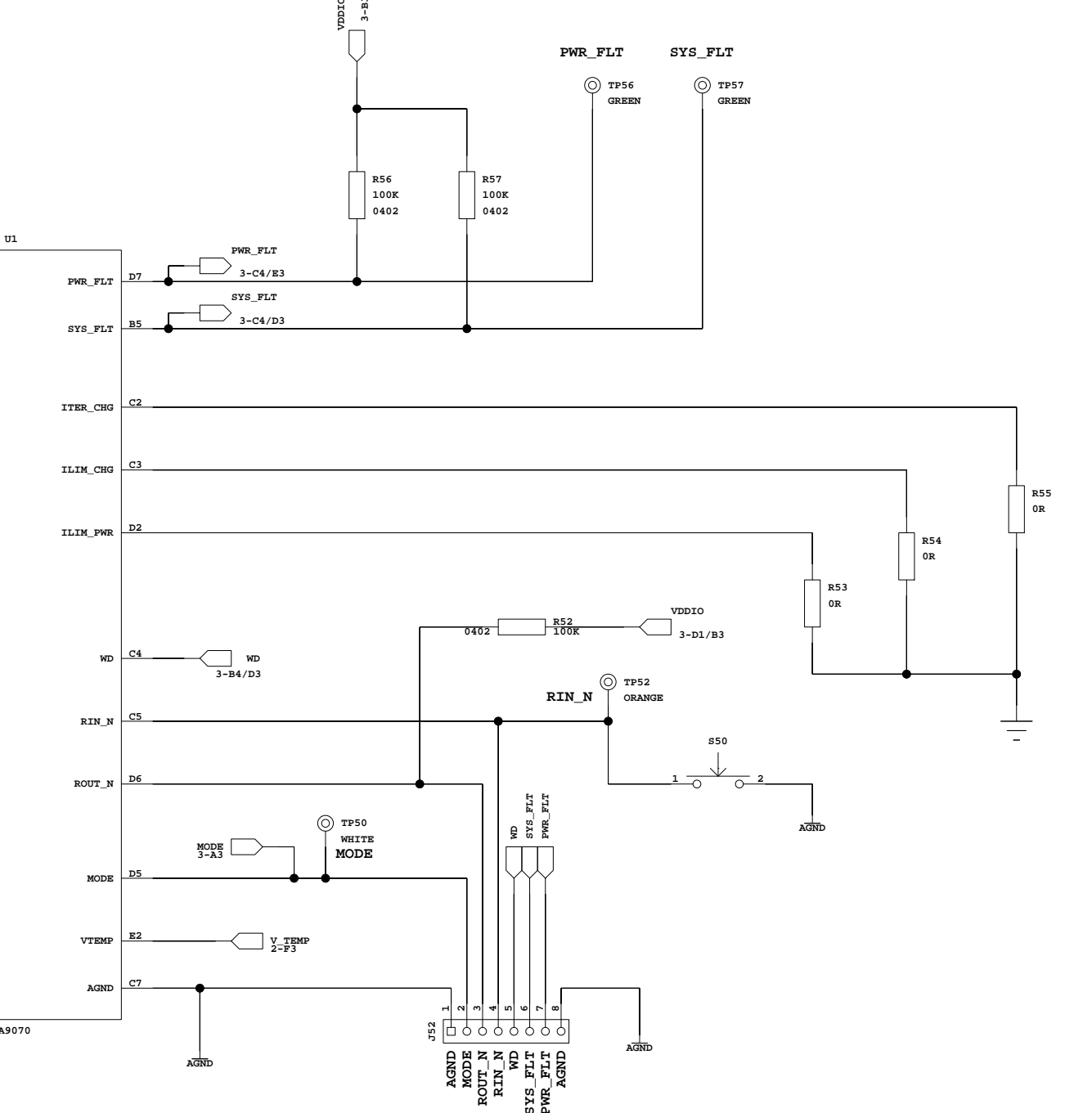
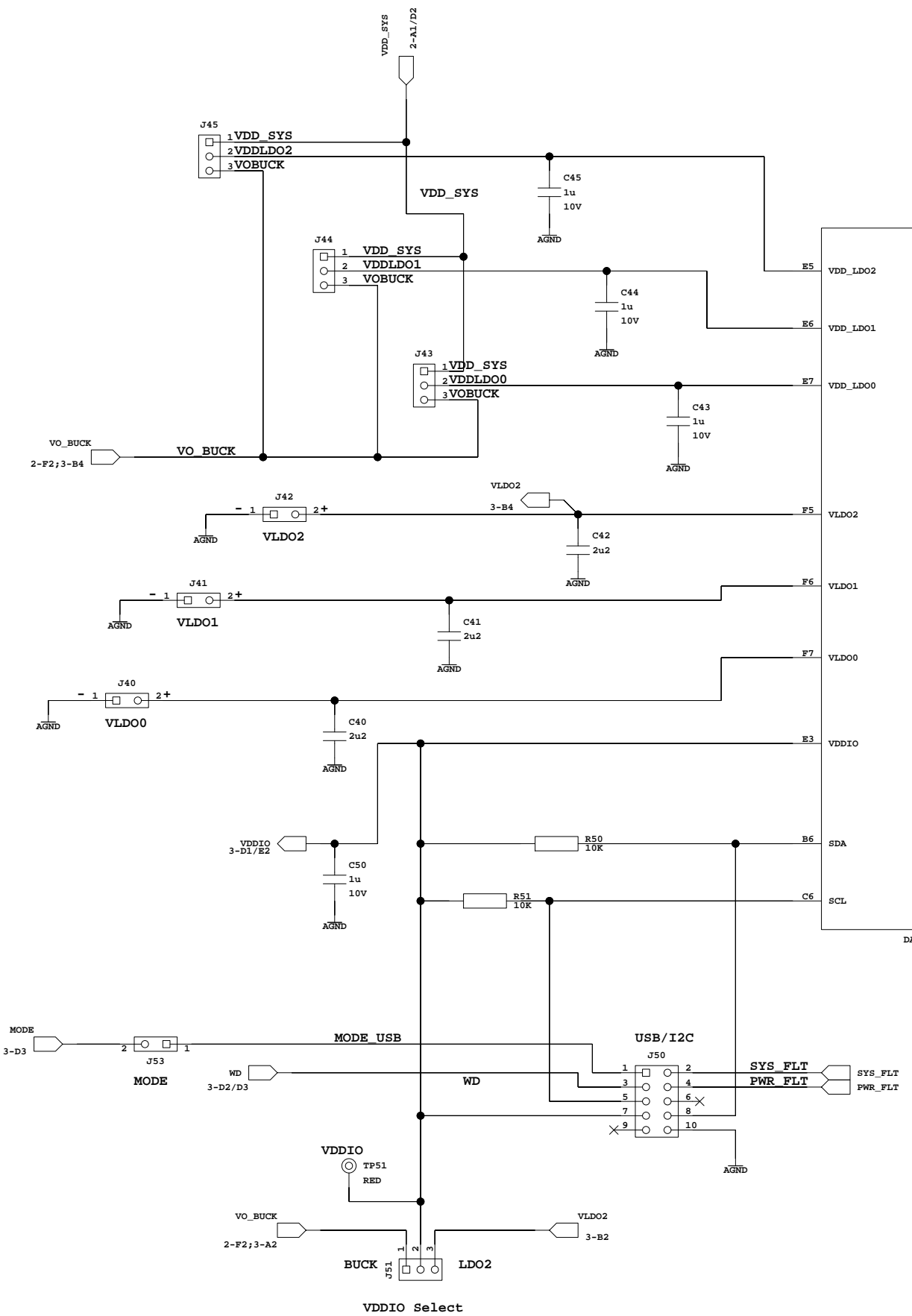
2

3

3

4

4



SCHEMATIC TEMPLATE REV.XDXD_V7 (01-06-2017)

DESIGNED BY:
Allan Fisher
Harald Bernrader-Hauns

REVIEWED BY:
AF, GC
SO, HT, NU, KY, KH

SAVED DATE:

REVIEWED DATE:
16/02/2022

SIZE
A3L

TITLE: DA9070 / 73 demo board
VARIANT: Master Sch no Var defined
320-30-A1

DRAWING No:
SHEET NAME:
LDOS

RENESAS

PAGE: 3 of 3

A

B

C

D

E

F