

DESIGNED BY: CAH BL		SIZE <b>A3L</b>	TITLE: DA9140 Customer EVB VARIANT:	
REVIEWED BY: CAH AS		SAVED DATE: 18/05/2021:10:10	<b>DA9140-30-A1021</b> <small>DRAWING No. [ ] Var Rev [ ]</small>	
		REVIEWED DATE: 23/04/2021	SHEET NAME: <b>DA9140</b>	PAGE: 2 of 4

A

B

C

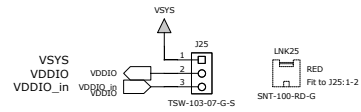
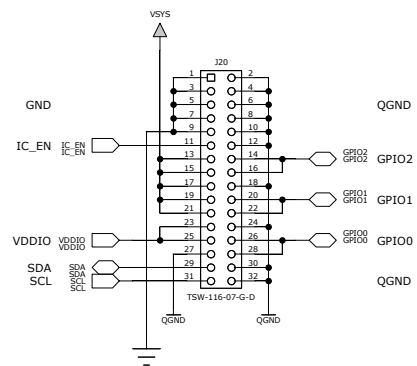
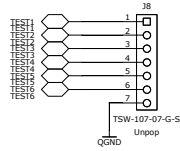
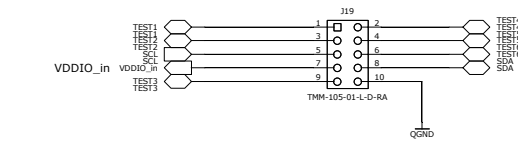
D

E

F

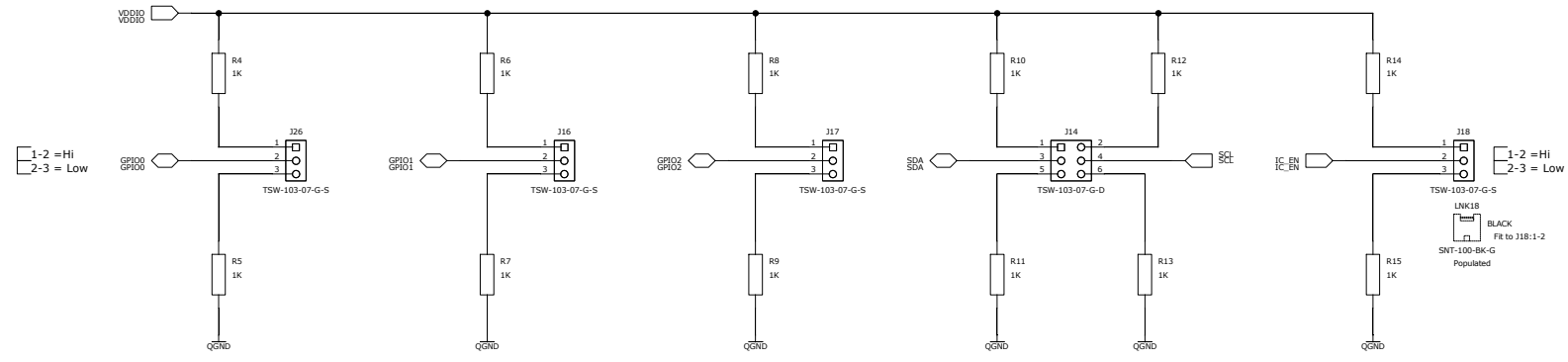
1

1



2

2



3

3

4

4

SCHEMATIC TEMPLATE REV.A0x0\_V8 (10-07-2019)

DESIGNED BY:  
CAH  
BL

REVIEWED BY:  
CAH  
AS

SIZE  
**A3L**

SAVED DATE:  
21/12/2021:16:50

REVIEWED DATE:  
23/04/2021

TITLE: DA9140 Customer EVB

VARIANT:  
**DA9140-30-A1021**

DRAWING No: [Boxed No.] [Variant] [Rev. No.] [Var Rev.]

SHEET NAME:  
GPIOs



PAGE: 3 of 4

A

B

C

D

E

F