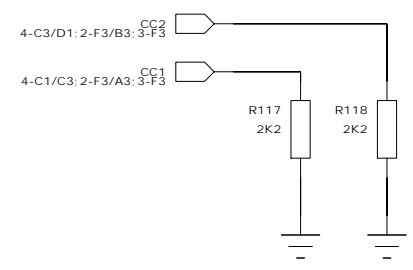
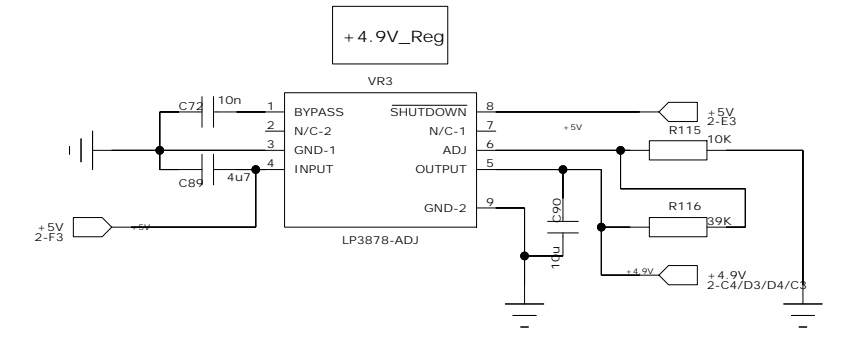
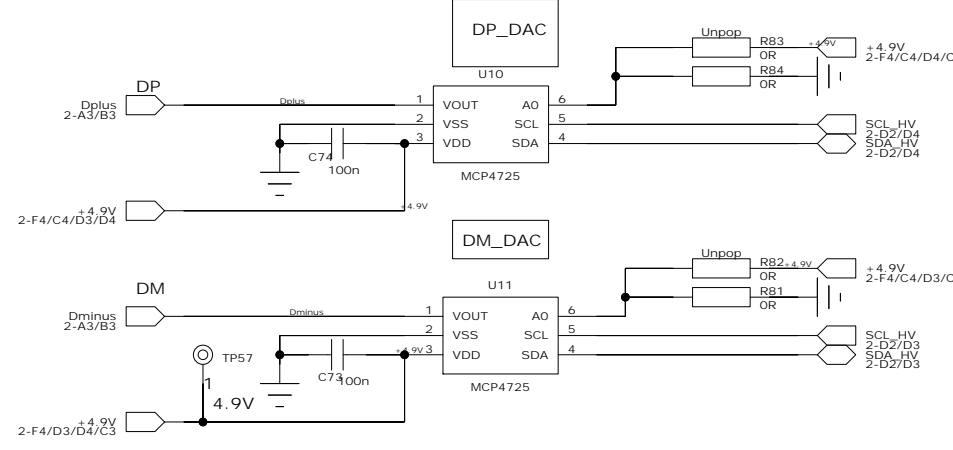
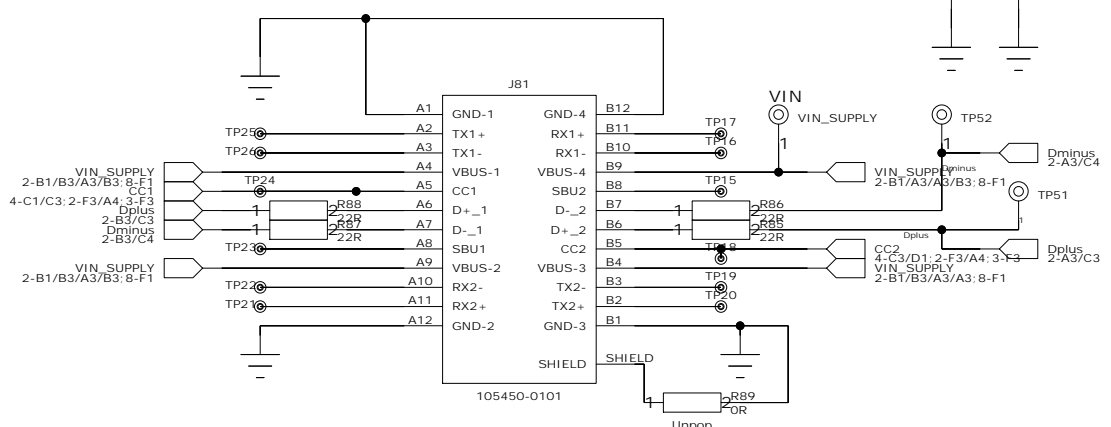
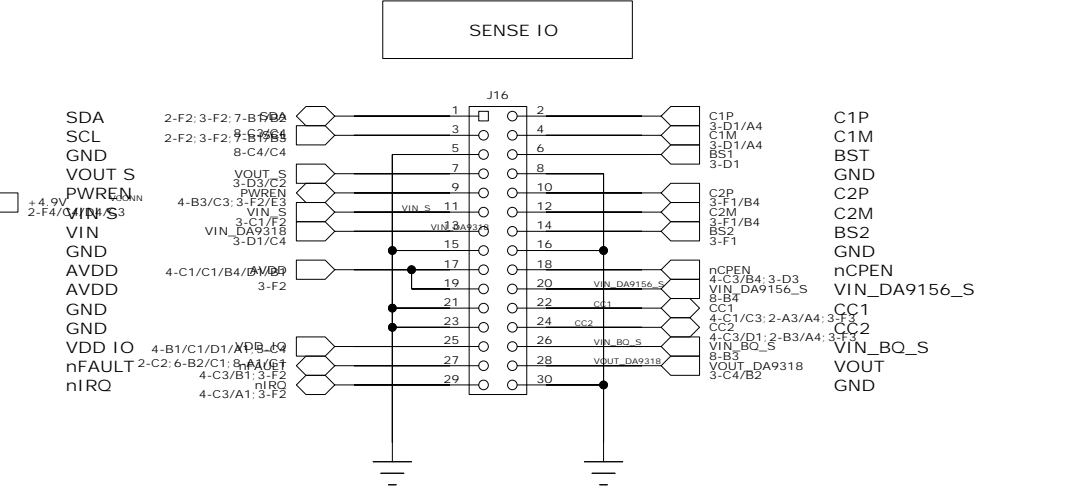
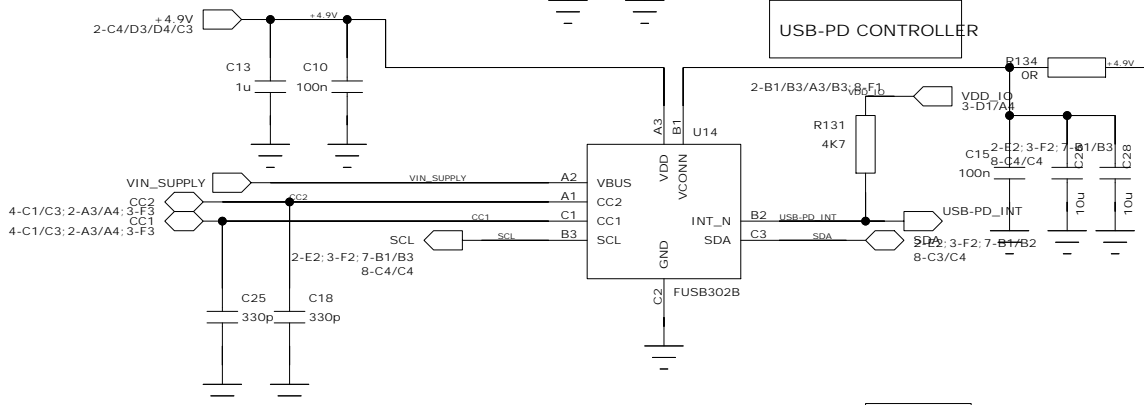
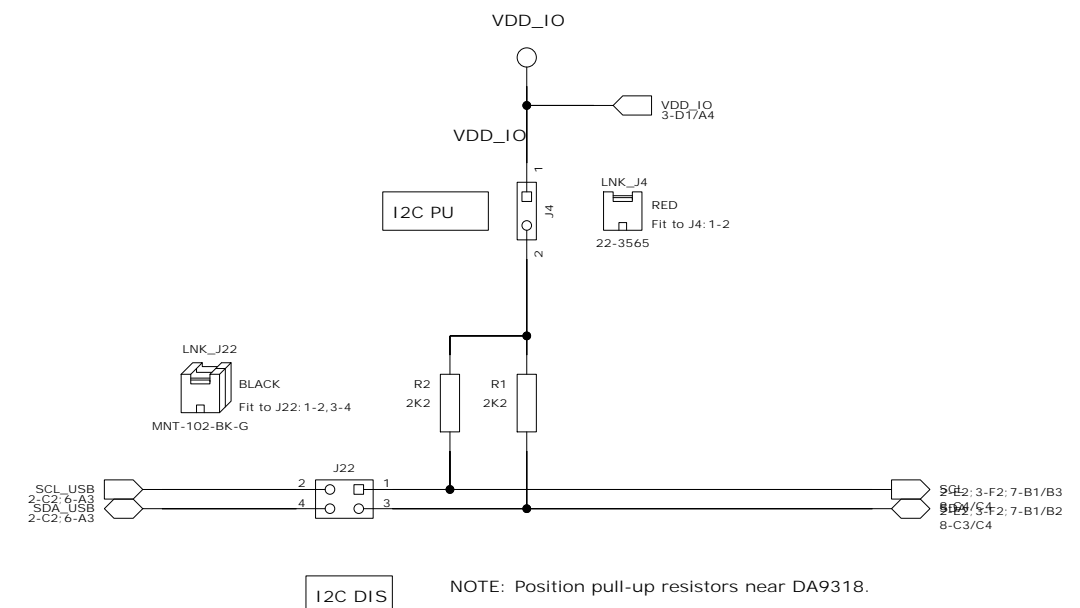
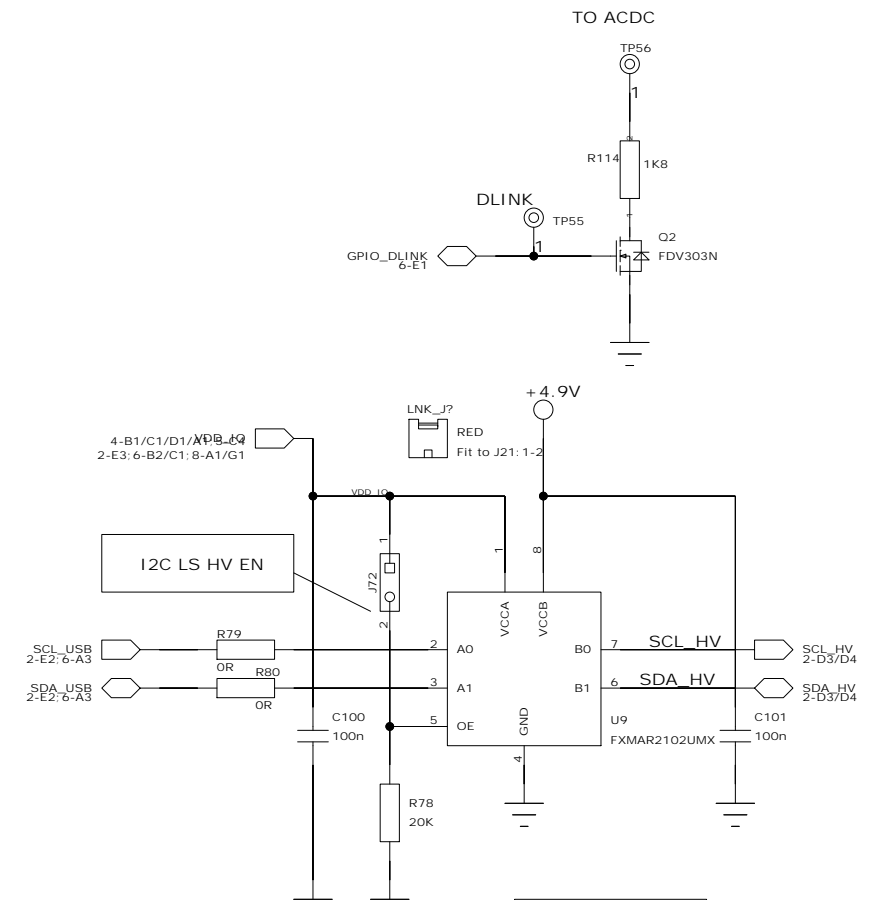
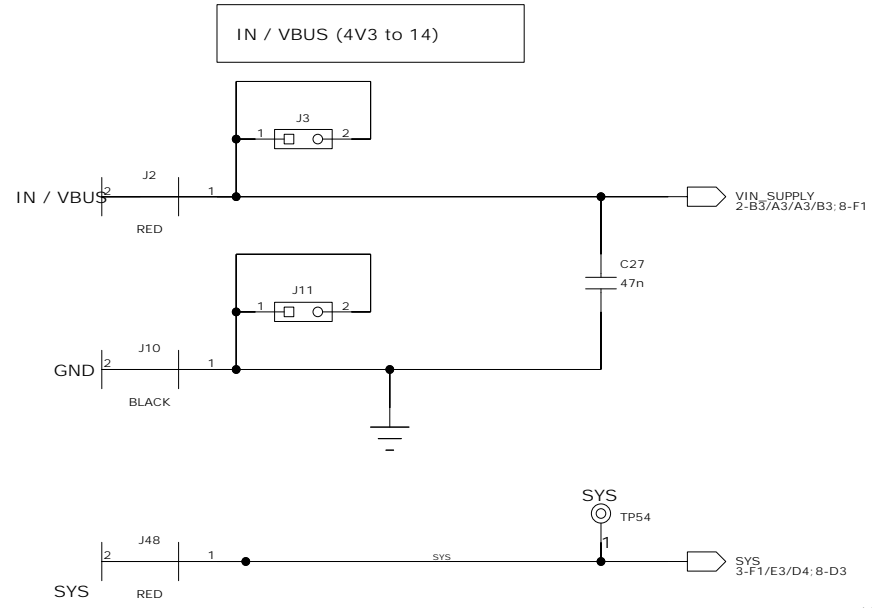


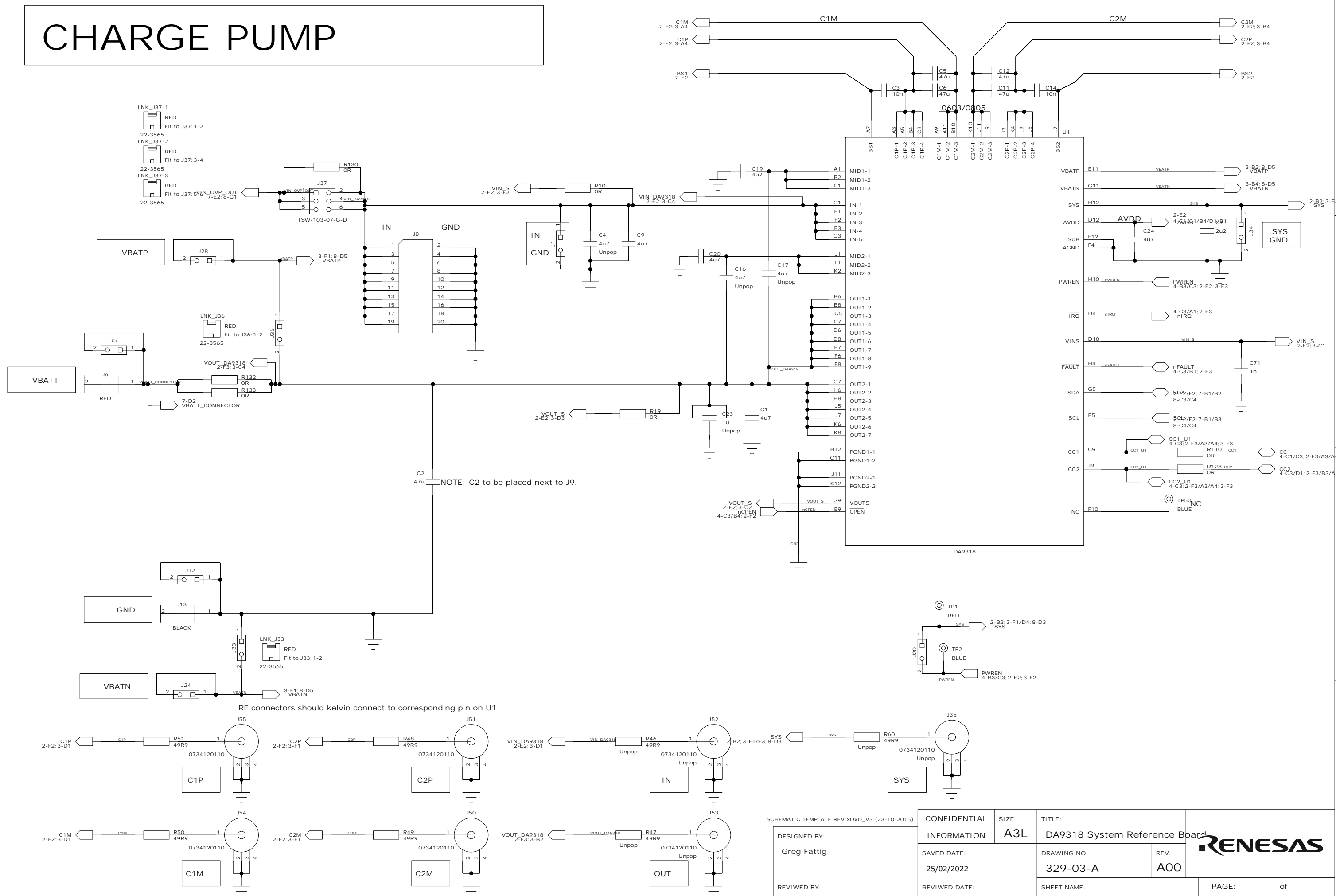
POWER & IOs



SCHEMATIC TEMPLATE REV. xDxD_V3 (23-10-2015)		CONFIDENTIAL	SIZE	TITLE:	
DESIGNED BY:		INFORMATION	A3L	DA9318 System Reference Board	
Greg Fattig		SAVED DATE:		DRAWING NO:	REV:
REVIEWED BY:		25/02/2022		329-03-A	A00
GF, ES		REVIEWED DATE:		SHEET NAME:	PAGE: of
		12/20/2016		POWER_AND_IOs	2 of 8

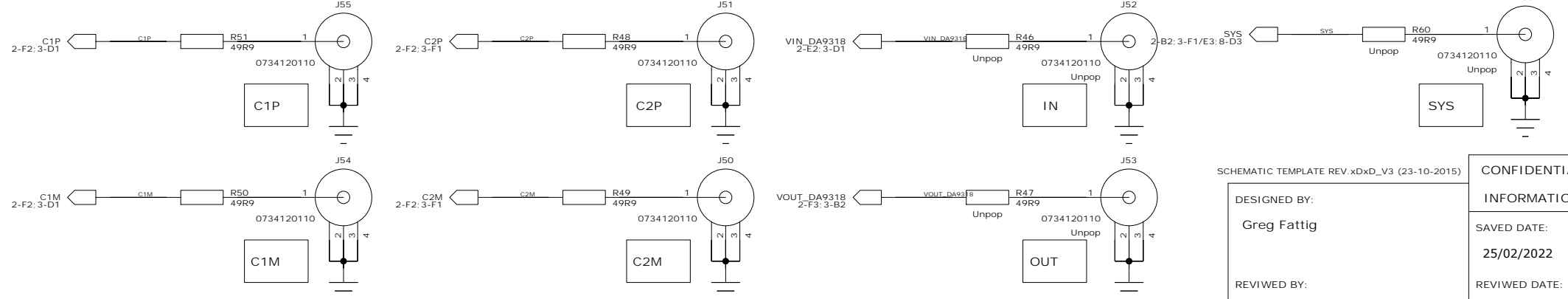


CHARGE PUMP



NOTE: C2 to be placed next to J9.

RF connectors should kelvin connect to corresponding pin on U1



SCHEMATIC TEMPLATE REV. xDxD_V3 (23-10-2015)

DESIGNED BY:
Greg Fattig

REVIWED BY:
GF, ES

CONFIDENTIAL	SIZE A3L	TITLE: DA9318 System Reference Board	
INFORMATION	SAVED DATE: 25/02/2022	DRAWING NO: 329-03-A	
	REVIWED DATE: 12/20/2016	SHEET NAME: CP	PAGE: 3 of 8

A

B

C

D

E

F

1

1

2

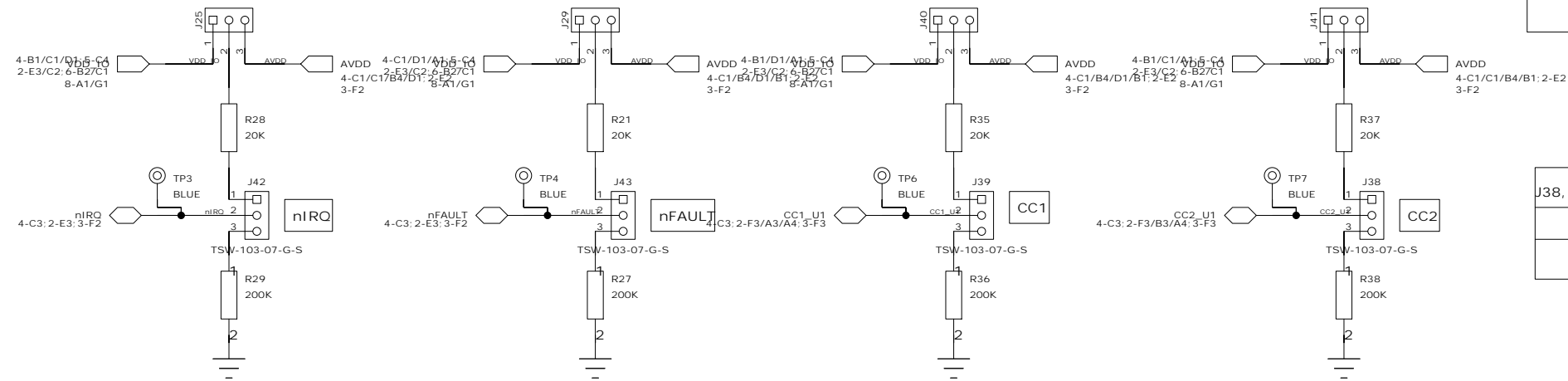
2

3

3

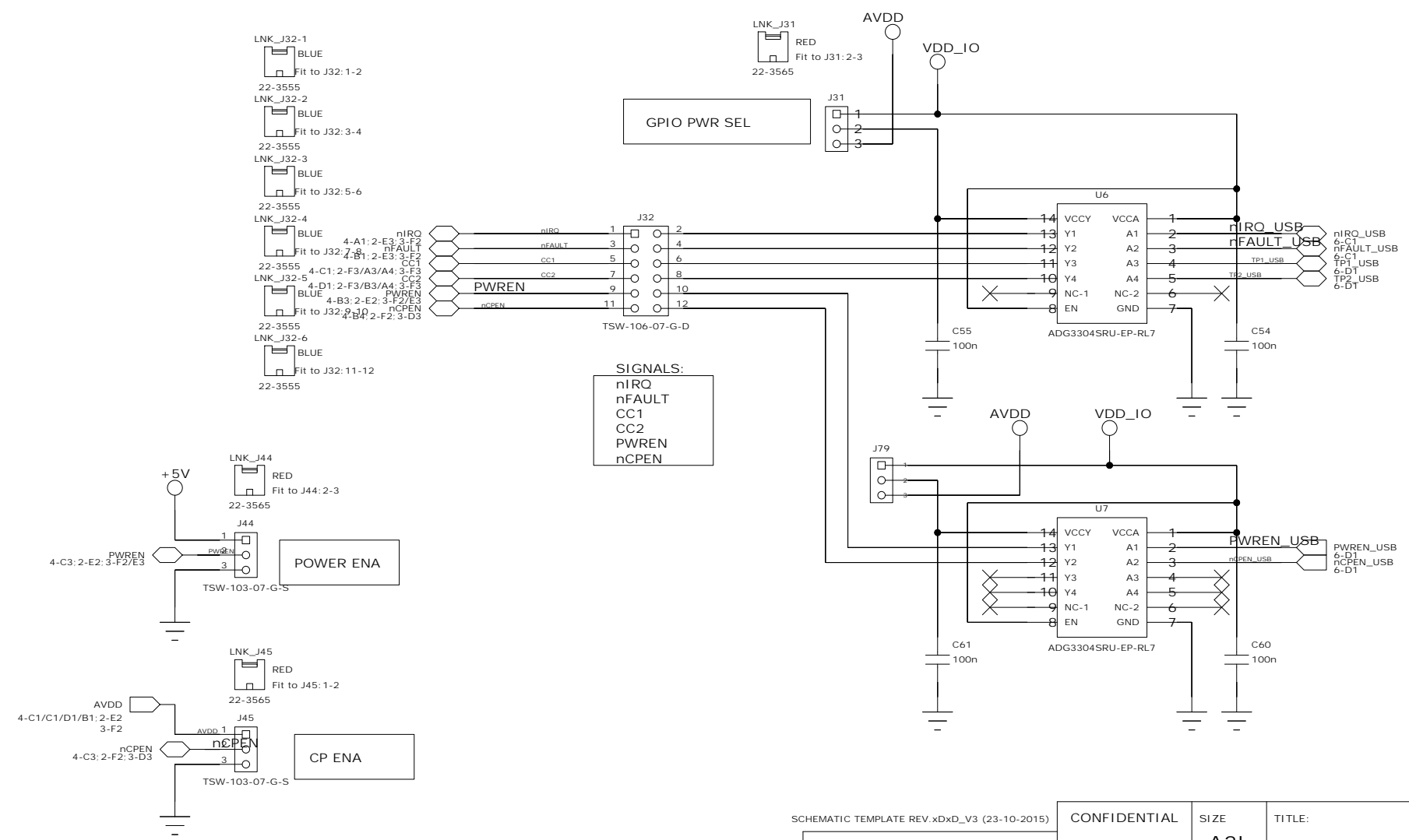
4

4



J25, J29, J40, J41	PU PWR SEL
1-2	VDD IO
2-3	AVDD

J38, J39, J42, J43	PU or PD select
1-2	Pull Up
2-3	Pull Down



SIGNALS:
 nIRQ
 nFAULT
 CC1
 CC2
 PWREN
 nCPEN

GPIOs

SCHEMATIC TEMPLATE REV. xDxD_V3 (23-10-2015)

DESIGNED BY:
 Greg Fattig

REVIEWED BY:
 GF, ES

CONFIDENTIAL INFORMATION	SIZE A3L	TITLE: DA9318 System Reference Board
SAVED DATE: 25/02/2022	DRAWING NO: 329-03-A	REV: A00
REVIEWED DATE: 12/20/2016	SHEET NAME: GPIOs	PAGE: 4 of 8



A

B

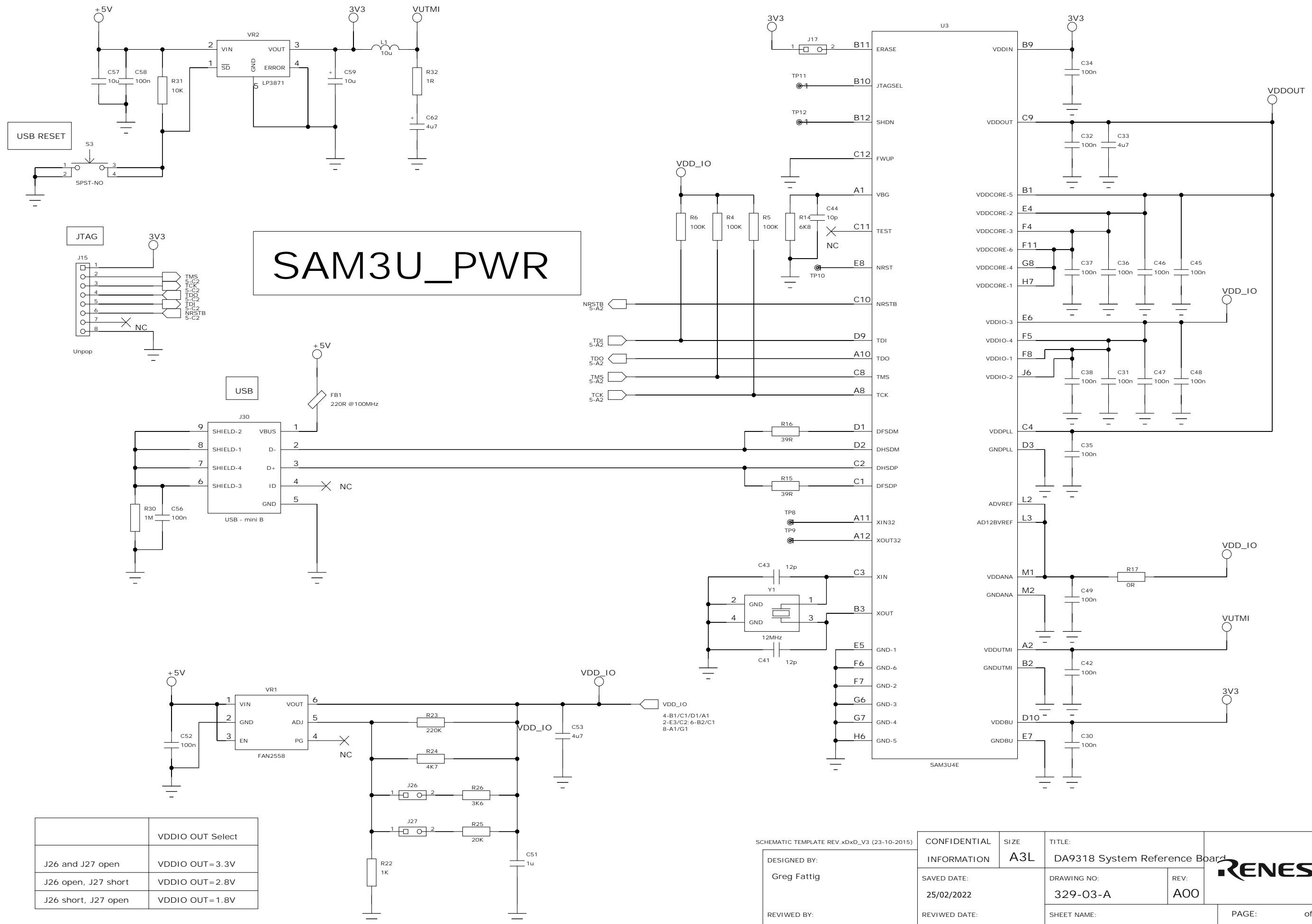
C

D

E

F

SAM3U_PWR



	VDDIO OUT Select
J26 and J27 open	VDDIO OUT=3.3V
J26 open, J27 short	VDDIO OUT=2.8V
J26 short, J27 open	VDDIO OUT=1.8V

SCHEMATIC TEMPLATE REV. xDxD_V3 (23-10-2015)

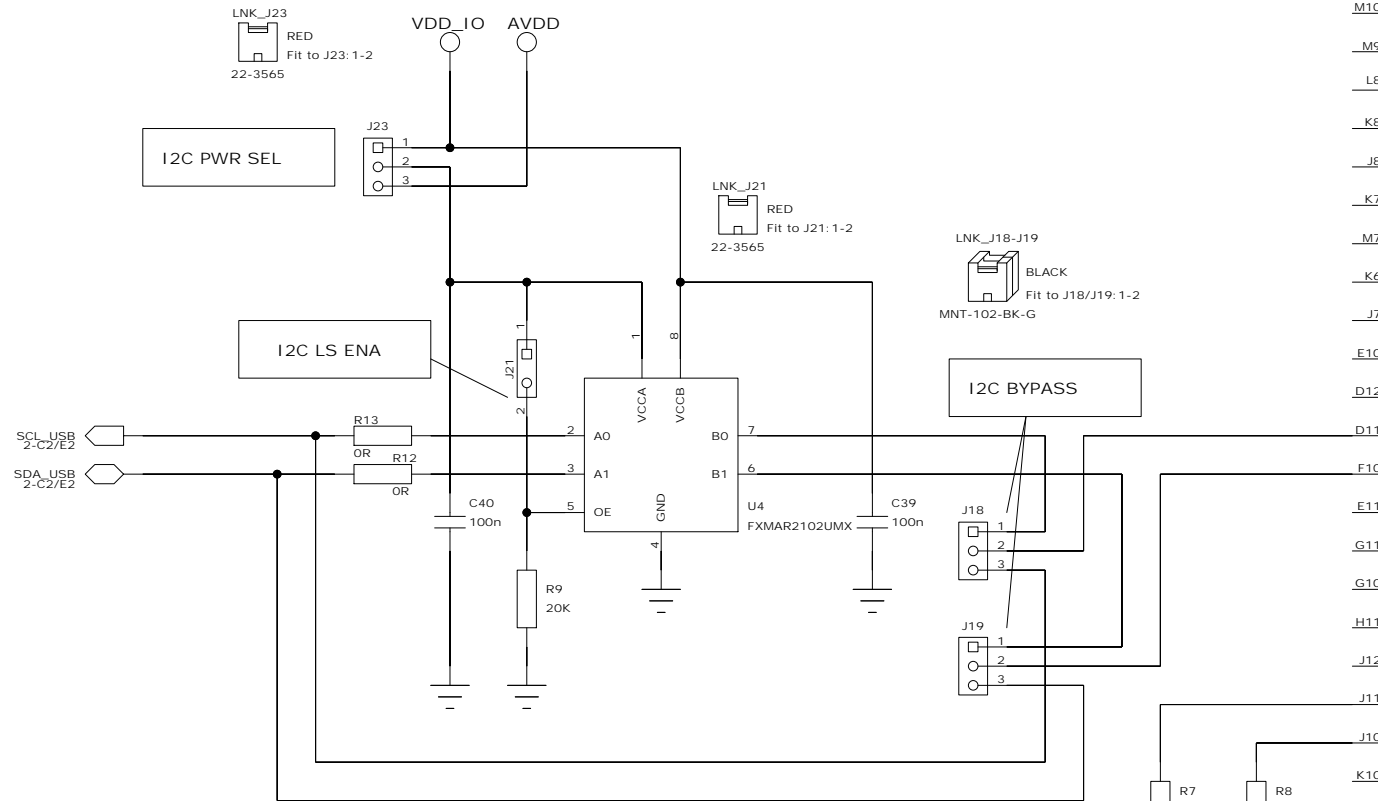
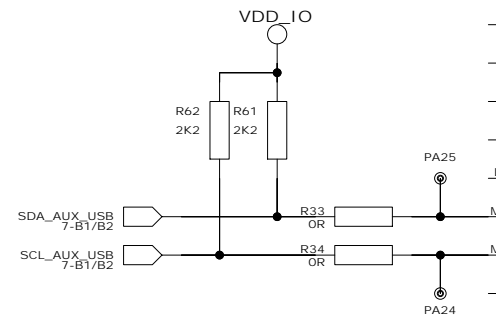
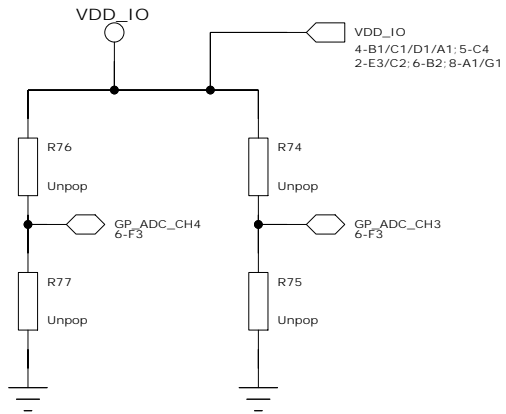
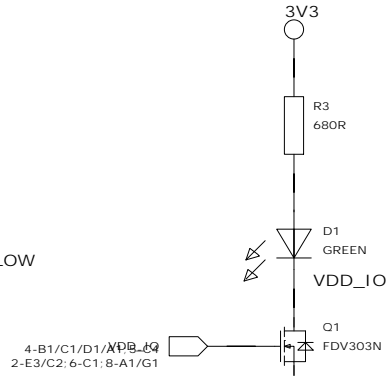
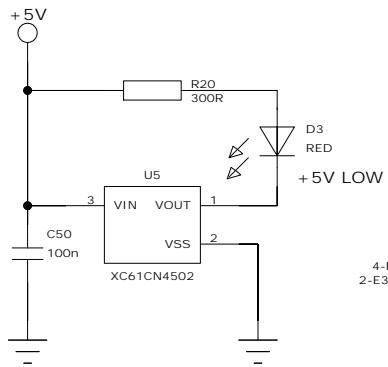
DESIGNED BY:
Greg Fattig

REVIEWED BY:
GF, ES

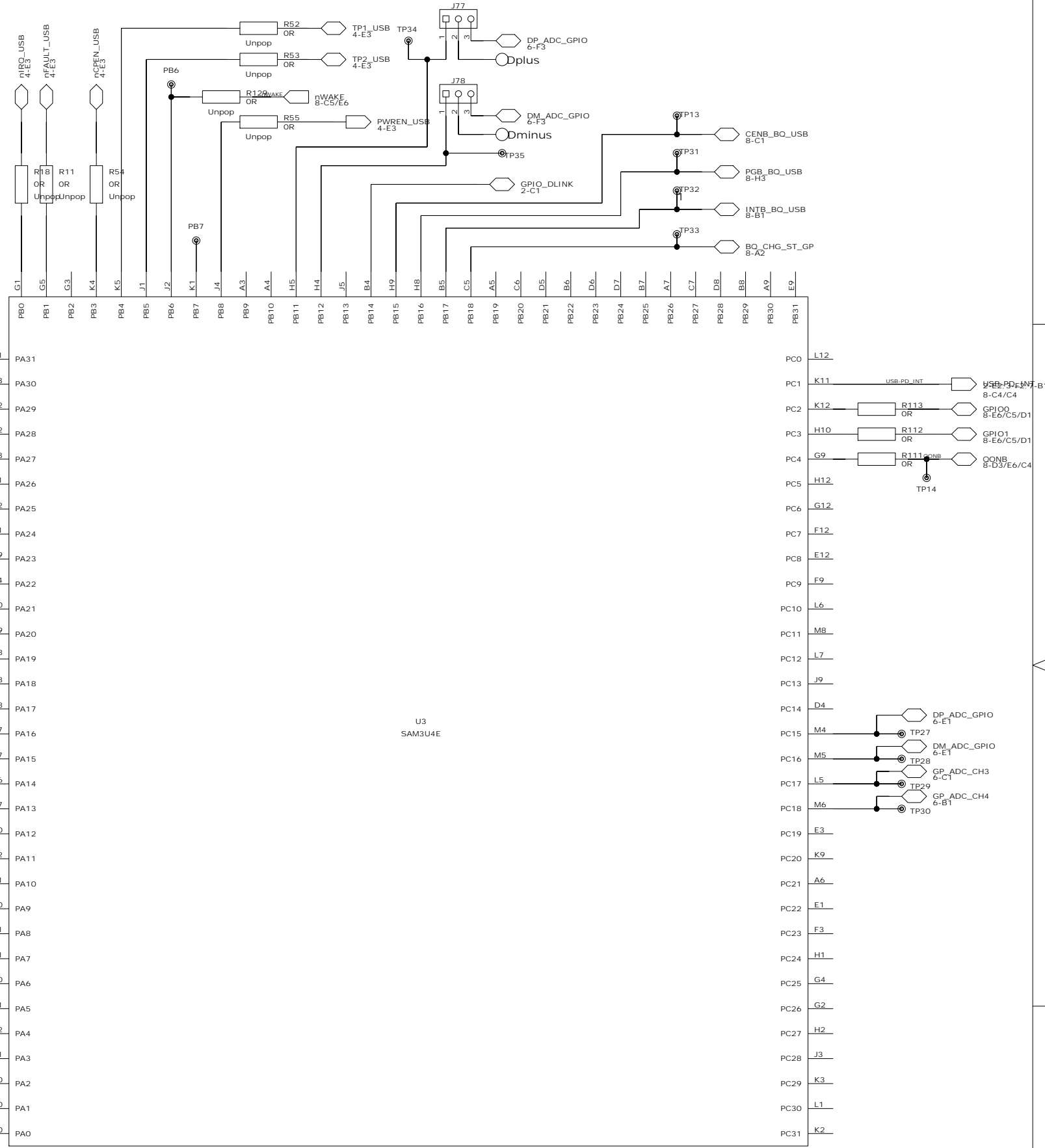
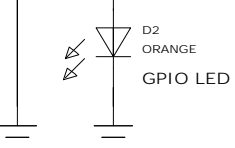
CONFIDENTIAL INFORMATION	SIZE A3L	TITLE: DA9318 System Reference Board
SAVED DATE: 25/02/2022	DRAWING NO: 329-03-A	REV: A00
REVIEWED DATE: 12/20/2016	SHEET NAME: USB_IF	PAGE: 5 of 8



SAM3U_IOs



NOTE: Juxtapose J18 and J19 to allow the use of double link LNK_J18-J19.

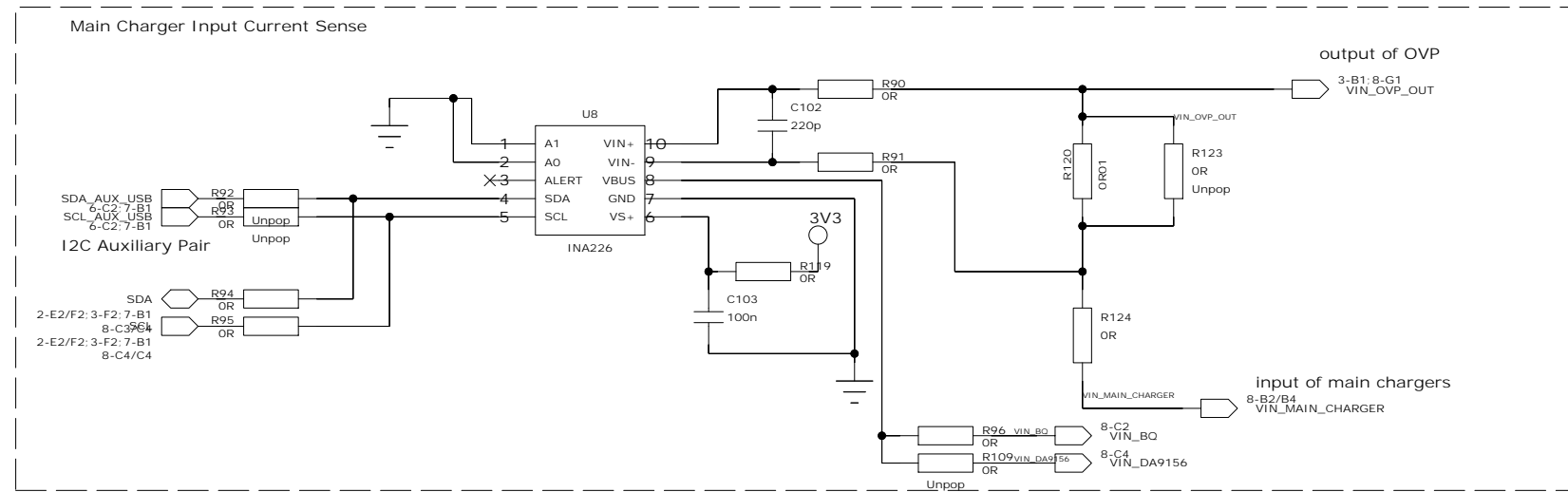
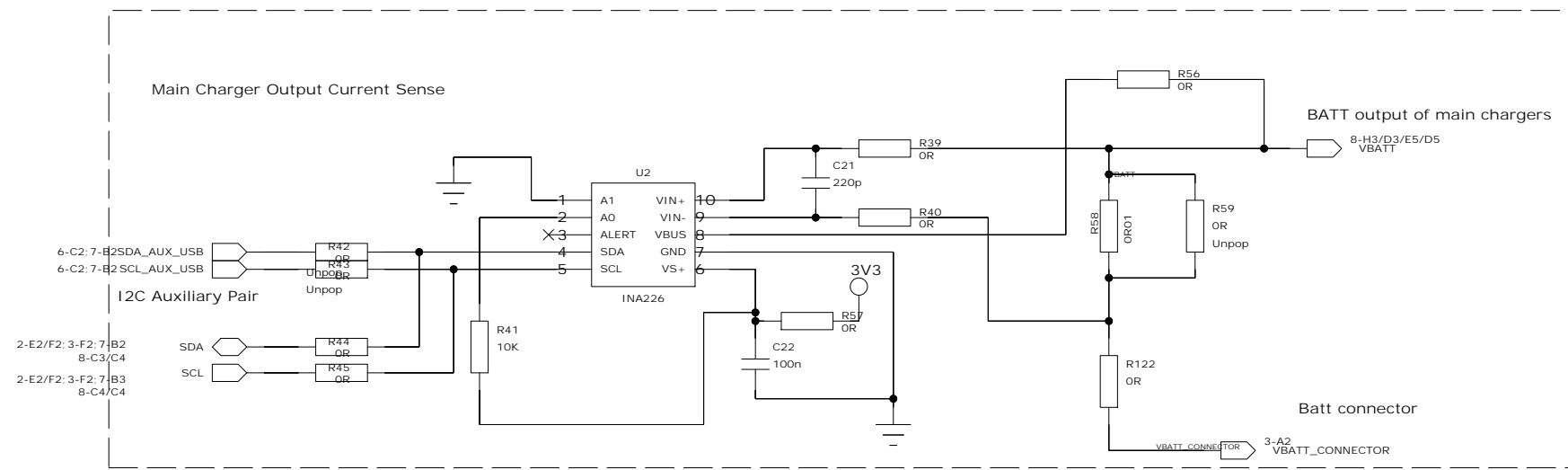


SCHEMATIC TEMPLATE REV. xDxD_V3 (23-10-2015)

DESIGNED BY:
Greg Fattig

REVIEWED BY:
GF, ES

CONFIDENTIAL INFORMATION	SIZE A3L	TITLE: DA9318 System Reference Board		
SAVED DATE: 25/02/2022	DRAWING NO: 329-03-A	REV: A00	PAGE: 6 of 8	
REVIEWED DATE: 12/20/2016	SHEET NAME: USB_LEVEL_SHIFTER		PAGE: 6 of 8	

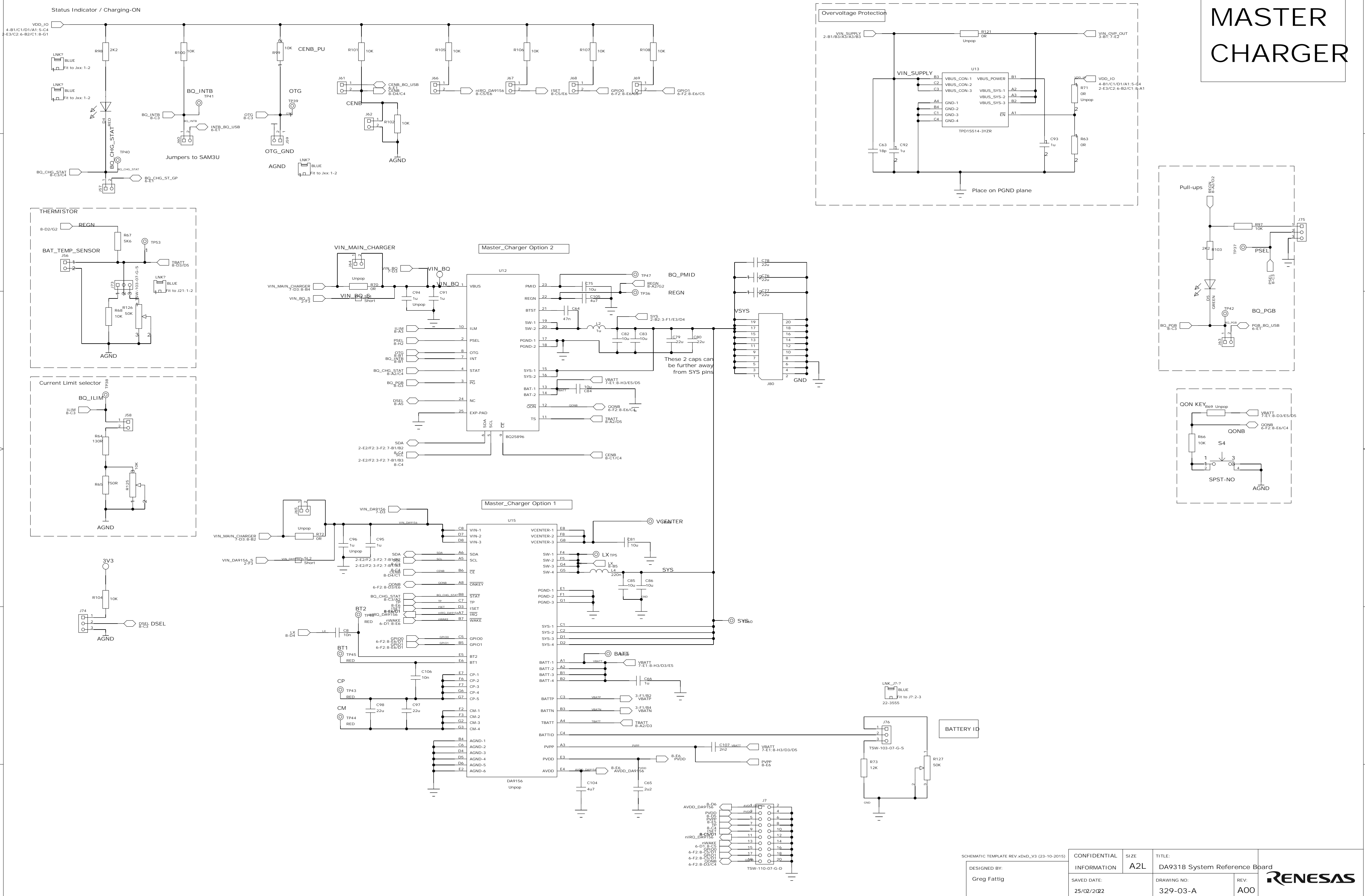


DA9318 has integrated current and voltage reporting

SCHEMATIC TEMPLATE REV. xDxD_V3 (23-10-2015)

DESIGNED BY: Greg Fattig	CONFIDENTIAL INFORMATION	SIZE A3L	TITLE: DA9318 System Reference Board		
	SAVED DATE: 25/02/2022	DRAWING NO: 329-03-A	REV: A00	PAGE: 7 of 8	
	REVIEWED BY: GF, ES	REVIEWED DATE: 12/20/2016	SHEET NAME: ISENSE	PAGE: 7 of 8	

MASTER CHARGER



SCHEMATIC TEMPLATE REV.XDxD_V3 (23-10-2015)		CONFIDENTIAL	SIZE A2L	TITLE: DA9318 System Reference Board	
DESIGNED BY: Greg Fattig	SAVED DATE: 25/02/2022	REVIEWED DATE: 12/20/2016	DRAWING NO: 329-03-A	REV: A00	
REVIEWED BY: GF, ES	SHEET NAME: DA9156		PAGE: 8 of 8		