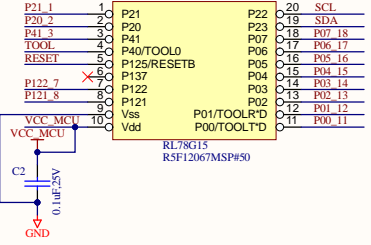
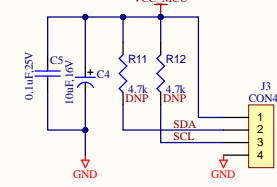


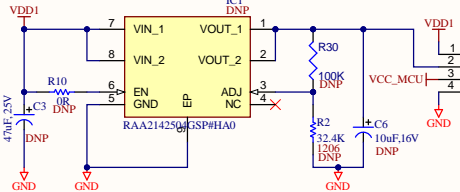
MCU Section:



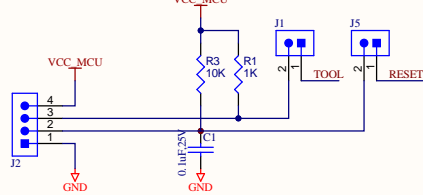
I2C Connector:



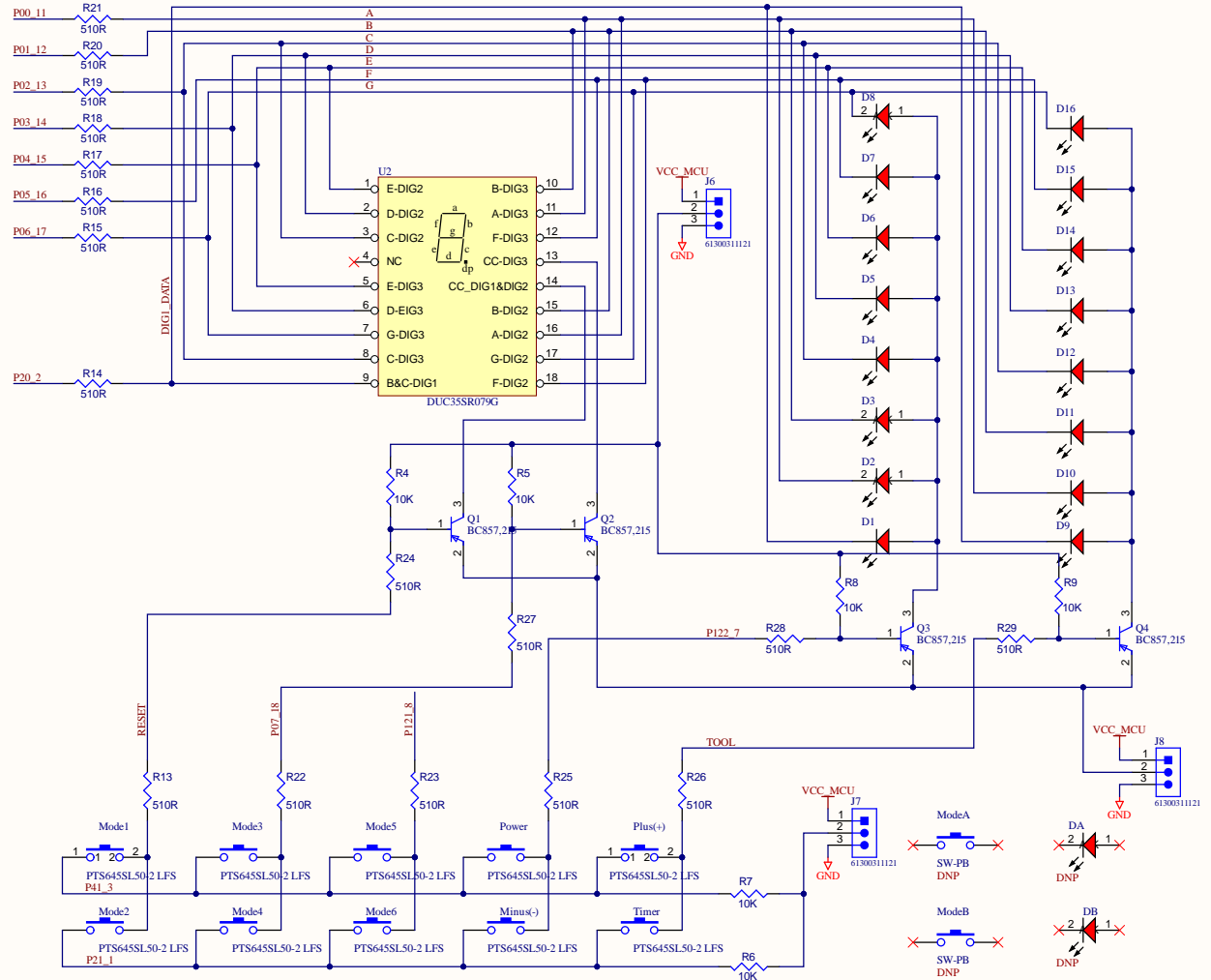
Aux Power Supply:



Jumper Options:



Indication LED & Display:



AS048-HMI Card

AS-048_V4_DSPLYA5.ch				
Release Date: 2/2/2024	Revision: 03	Drawn by: Gaurav	Checked by: Nitin	Approved by: Nitin
Last Updated: 2/2/2024				
SHEET 1 OF 1		Renesas Electronics India Pvt Ltd, Bangalore, India.		
SIZE A3				