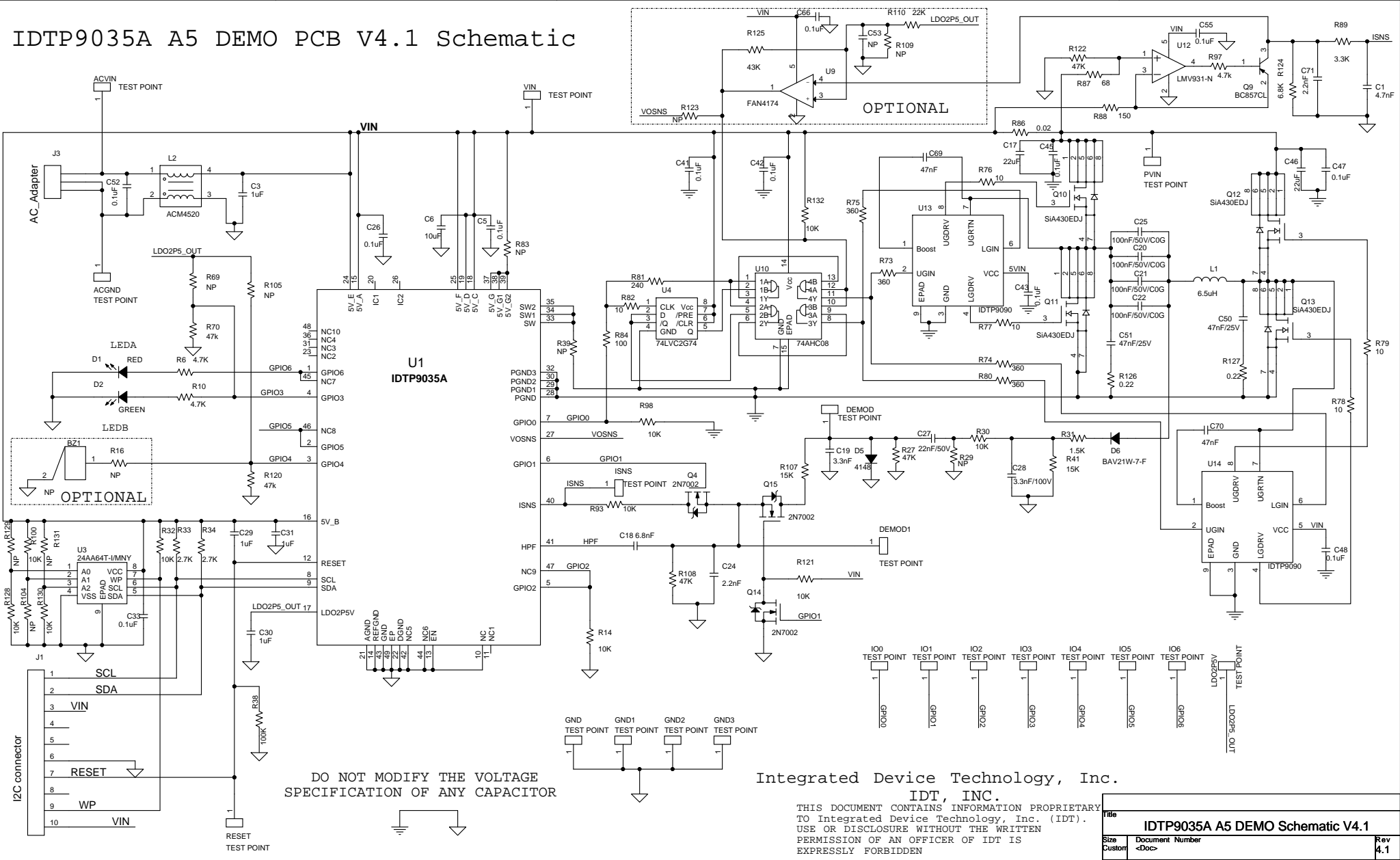


# IDTP9035A A5 DEMO PCB V4.1 Schematic



DO NOT MODIFY THE VOLTAGE SPECIFICATION OF ANY CAPACITOR

Integrated Device Technology, Inc.

IDT, INC.

THIS DOCUMENT CONTAINS INFORMATION PROPRIETARY TO Integrated Device Technology, Inc. (IDT). USE OR DISCLOSURE WITHOUT THE WRITTEN PERMISSION OF AN OFFICER OF IDT IS EXPRESSLY FORBIDDEN

Title		IDTP9035A A5 DEMO Schematic V4.1	
Size	Document Number	Rev	
Custom	<Doc>	4.1	
Date:	Wednesday, May 08, 2013 13:46:56	Sheet	1 of 2