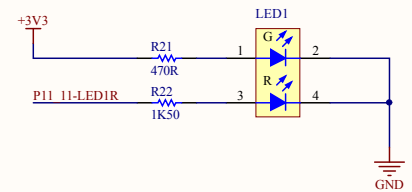
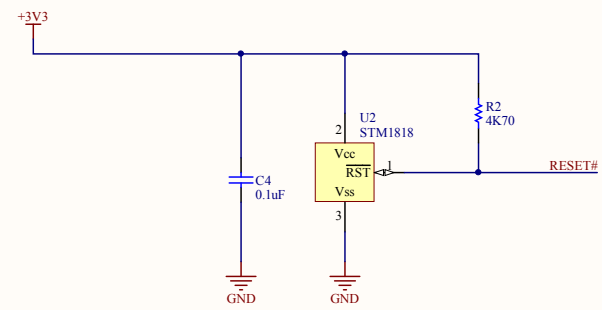
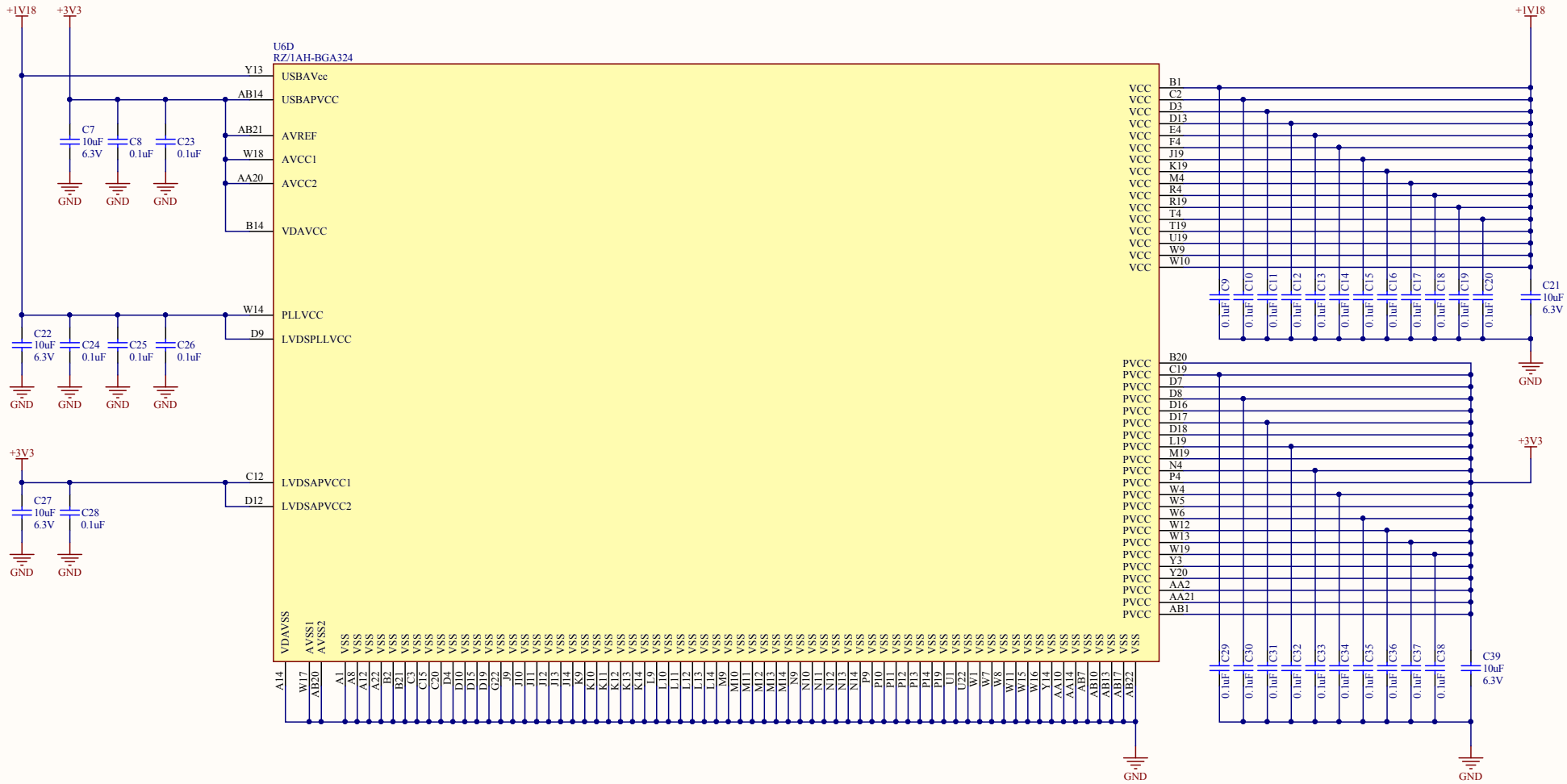


Program for Mode 2  
 Vout1 = 1.1750V  
 Vout2 = 3.3000V  
 Buck1->4ms->Buck2 sequence  
 PORB = PG1 & PG2





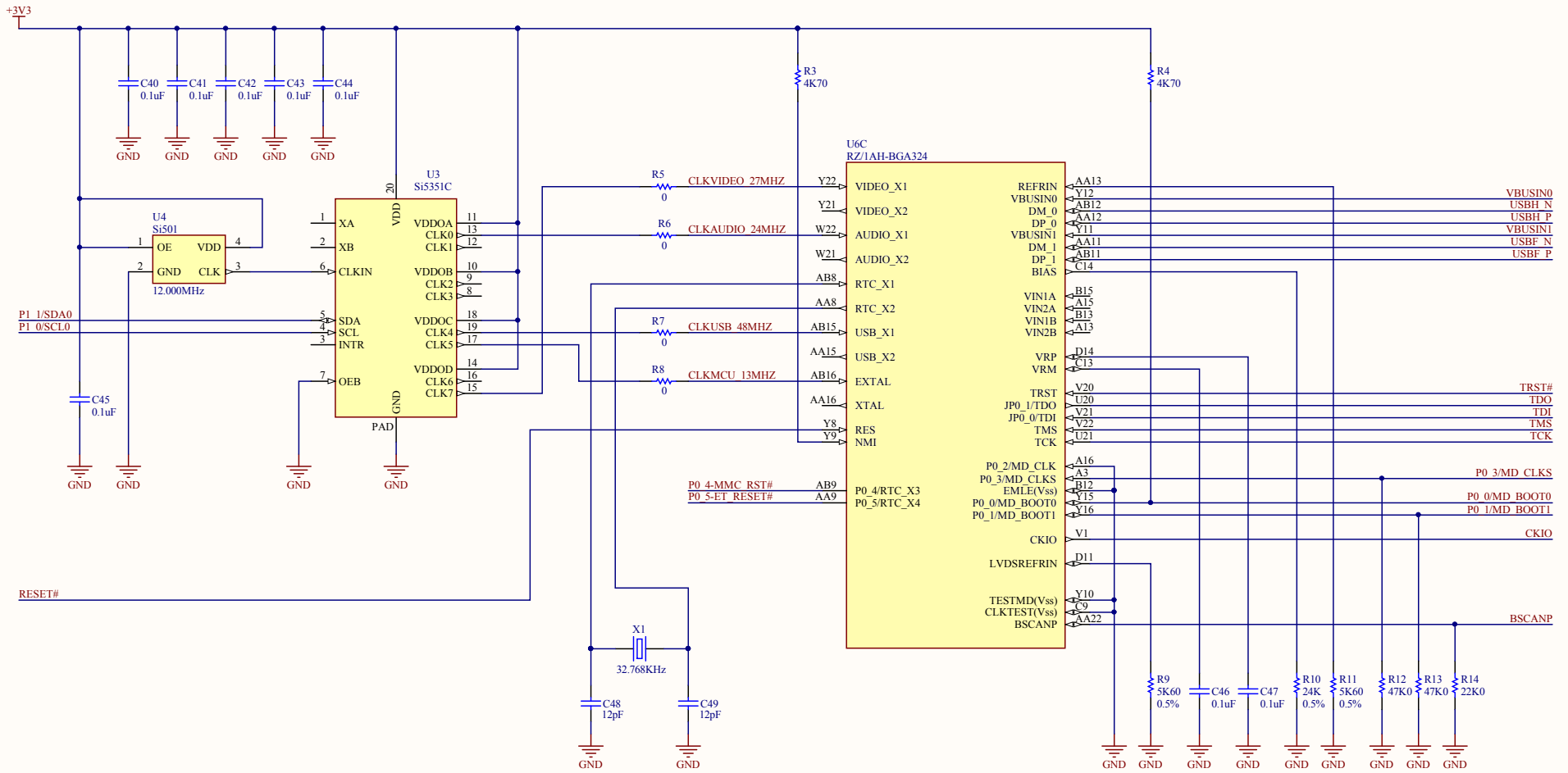
**Renesas RZ Module 100**  
MCU Power block

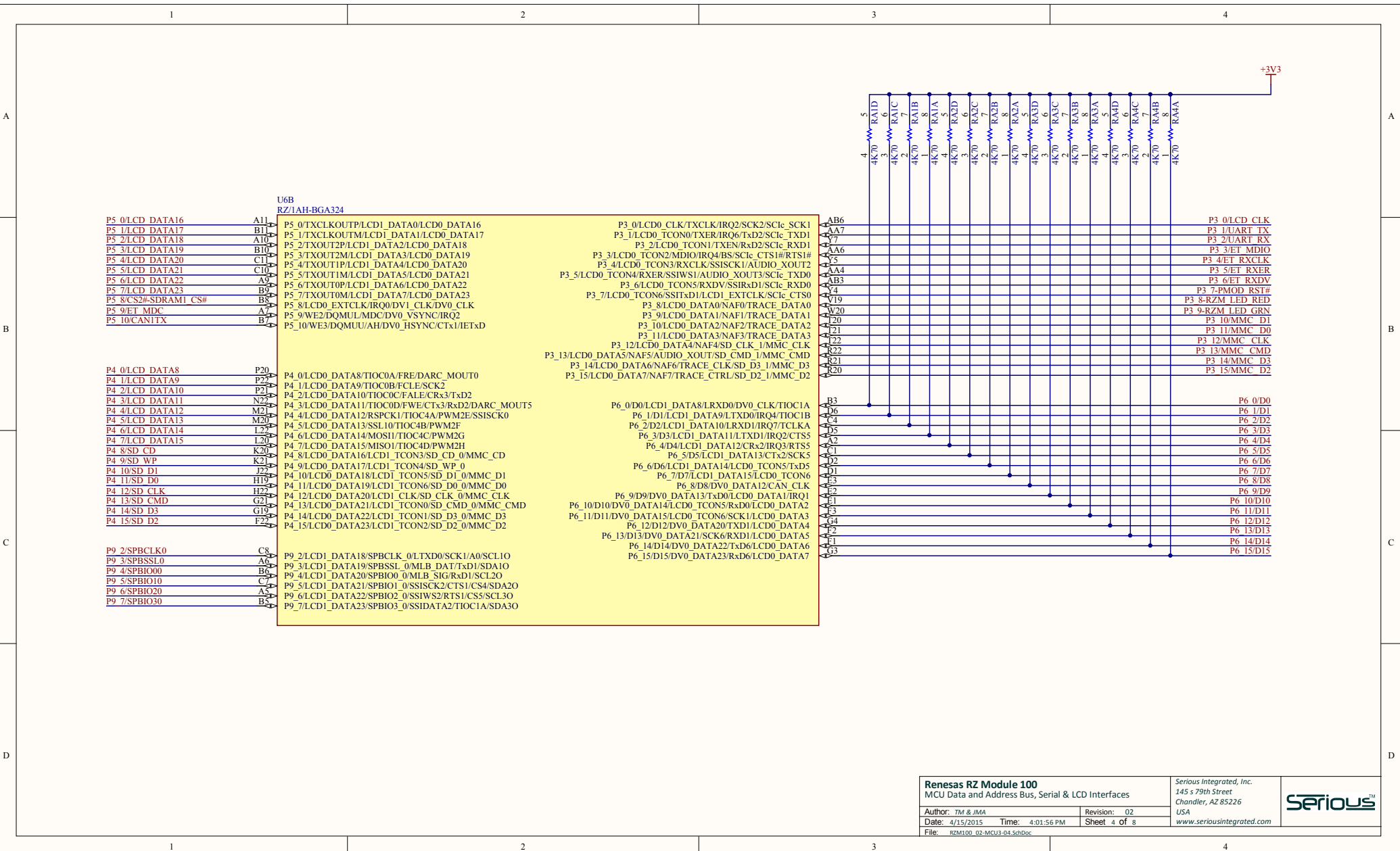
Author: TM & JMA  
Date: 4/15/2015  
Time: 4:01:56 PM  
File: RZM100\_02-MCU1-02.SchDoc

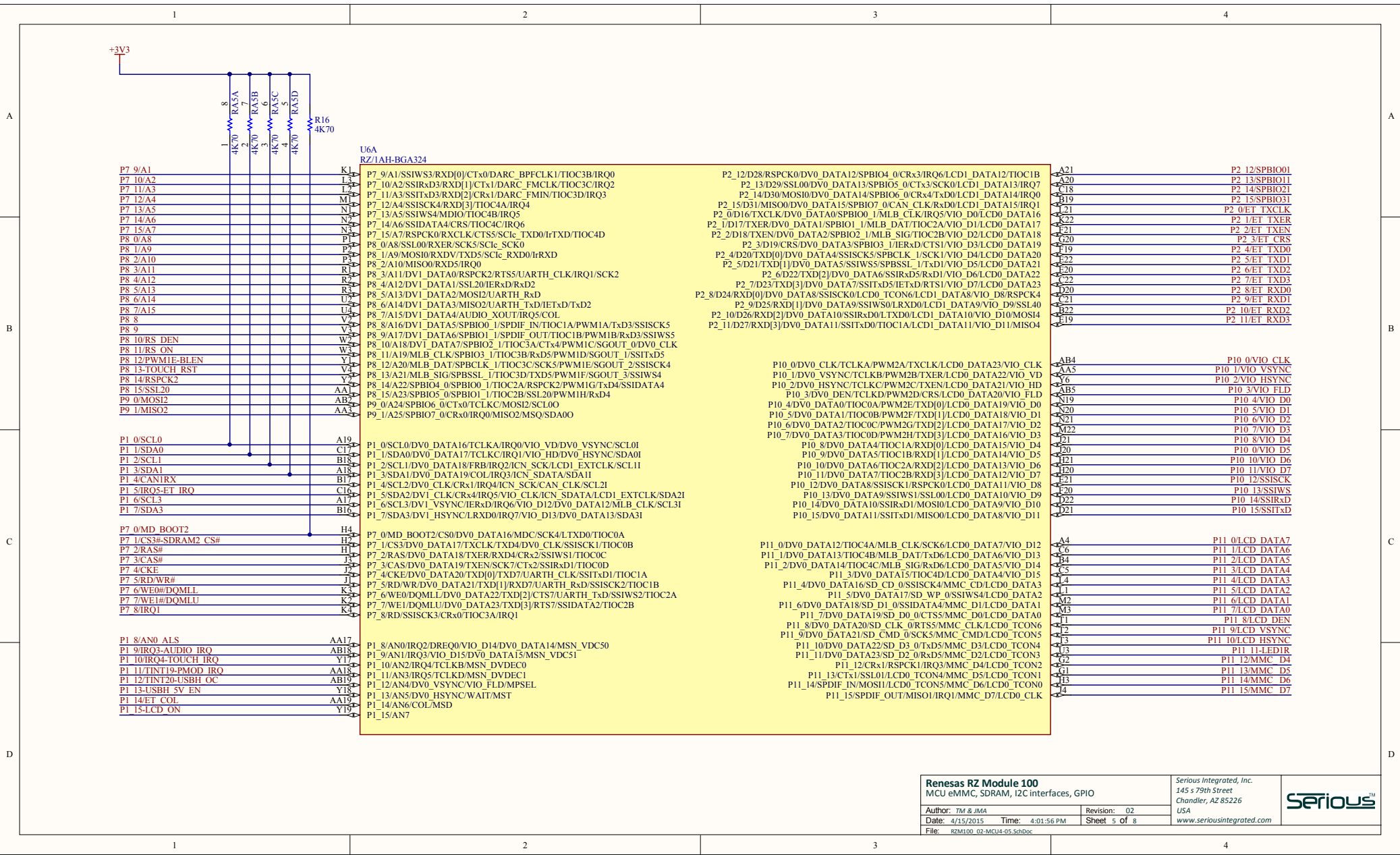
Revision: 02  
Sheet 2 of 8

Serious Integrated, Inc.  
145 s 79th Street  
Chandler, AZ 85226  
USA  
www.seriousintegrated.com

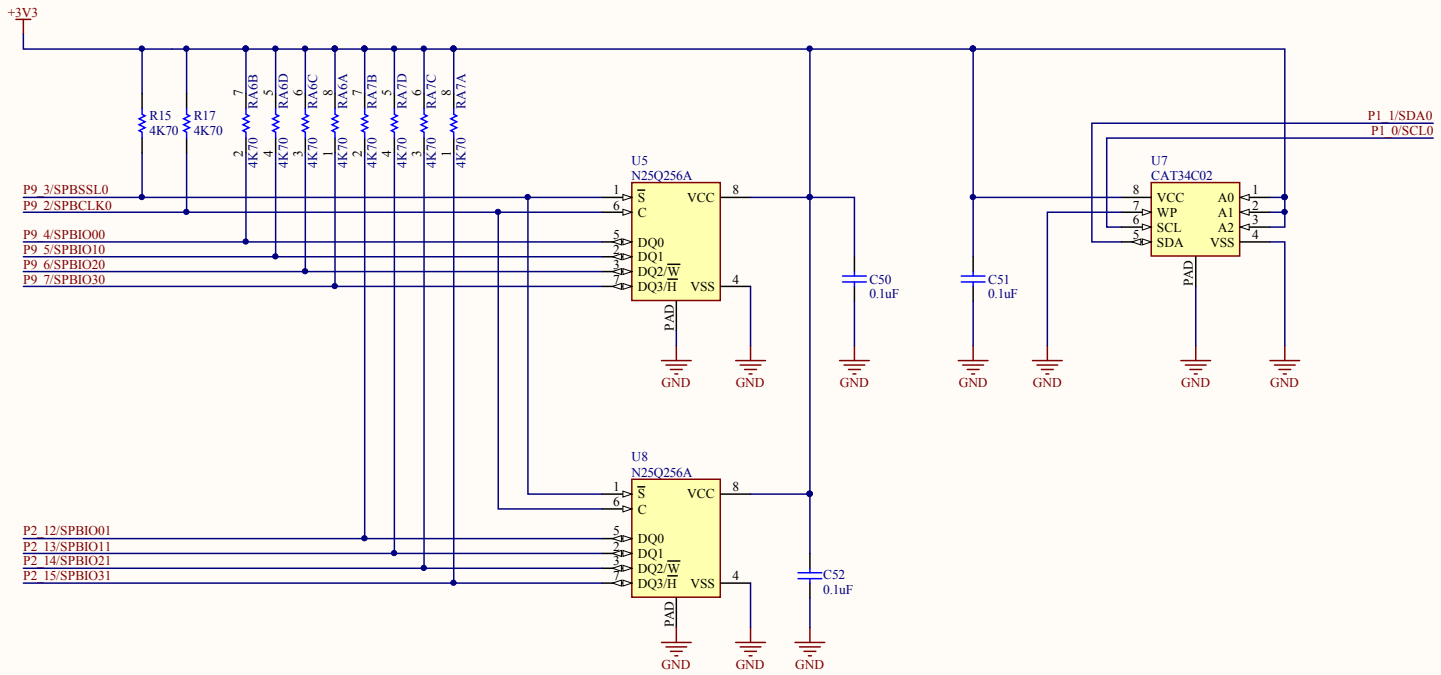








<b>Renesas RZ Module 100</b> MCU eMMC, SDRAM, I2C interfaces, GPIO		Serious Integrated, Inc. 145 s 79th Street Chandler, AZ 85226		
Author: TM & JMA	Revision: 02	USA		
Date: 4/15/2015	Time: 4:01:56 PM	www.seriousintegrated.com		
File: RZM100_02-MCU04-05-SchDoc	Sheet 5 of 8			



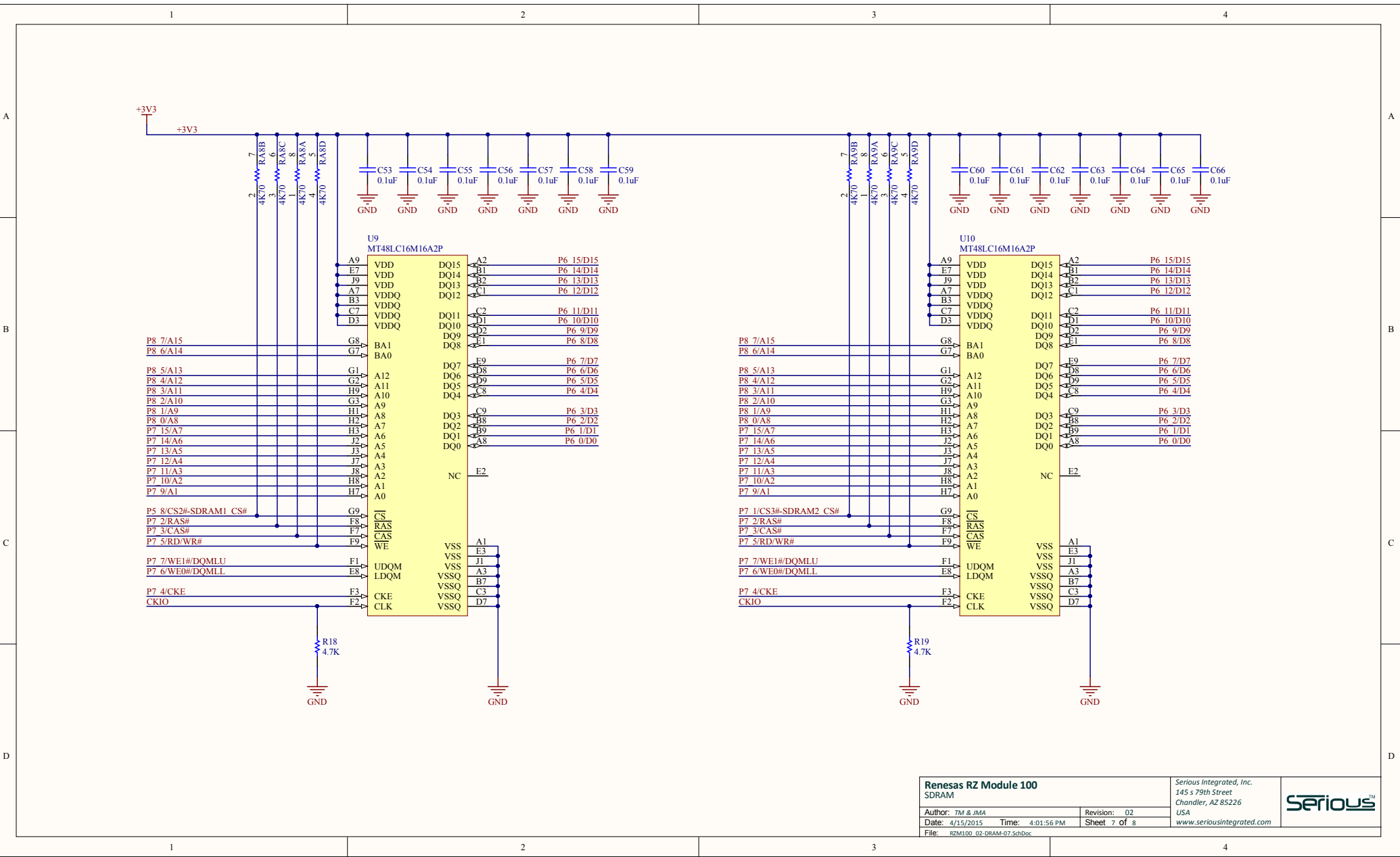
**Renesas RZ Module 100**  
QSPI FLASH and EEPROM

Author: TM & JMA  
Date: 4/15/2015  
Time: 4:01:56 PM  
File: RZM100\_02-FLASH-06.SchDoc

Revision: 02  
Sheet 6 of 8

Serious Integrated, Inc.  
145 s 79th Street  
Chandler, AZ 85226  
USA  
www.seriousintegrated.com





## Board to Board connections via PCB Edge 200-pin matching DDR2 SODIMM Socket

