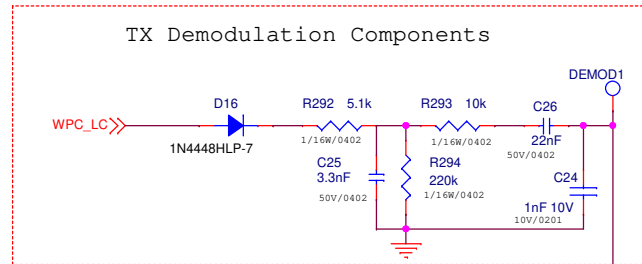
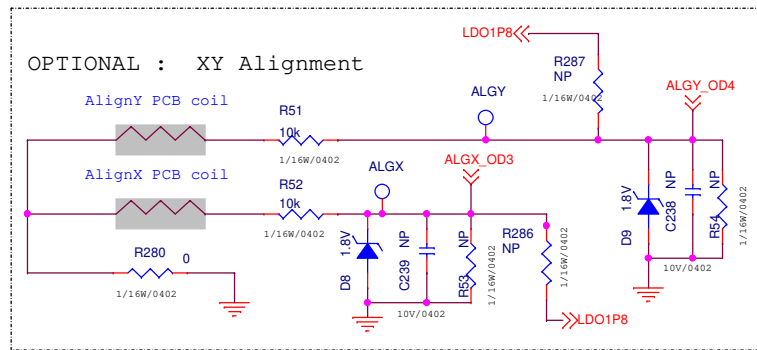


IDTP9415-R TRx DEMO PCB V1.1

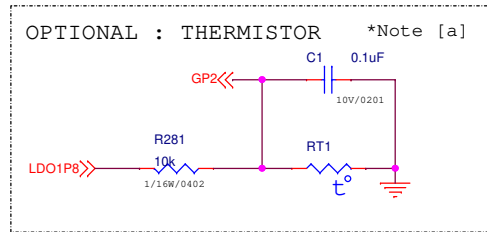
ADVANCED INFORMATION
SUBJECT TO CHANGE



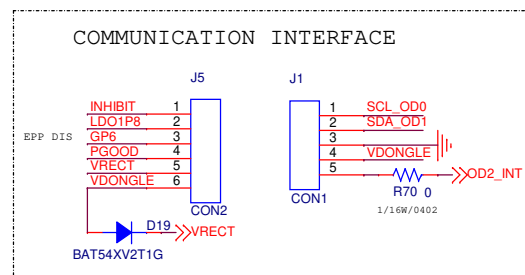
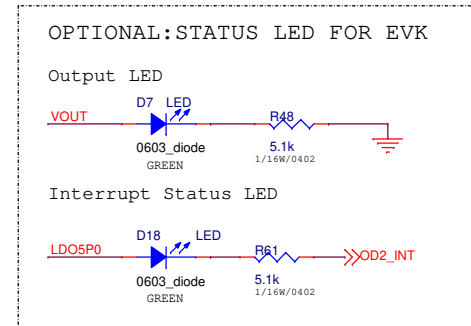
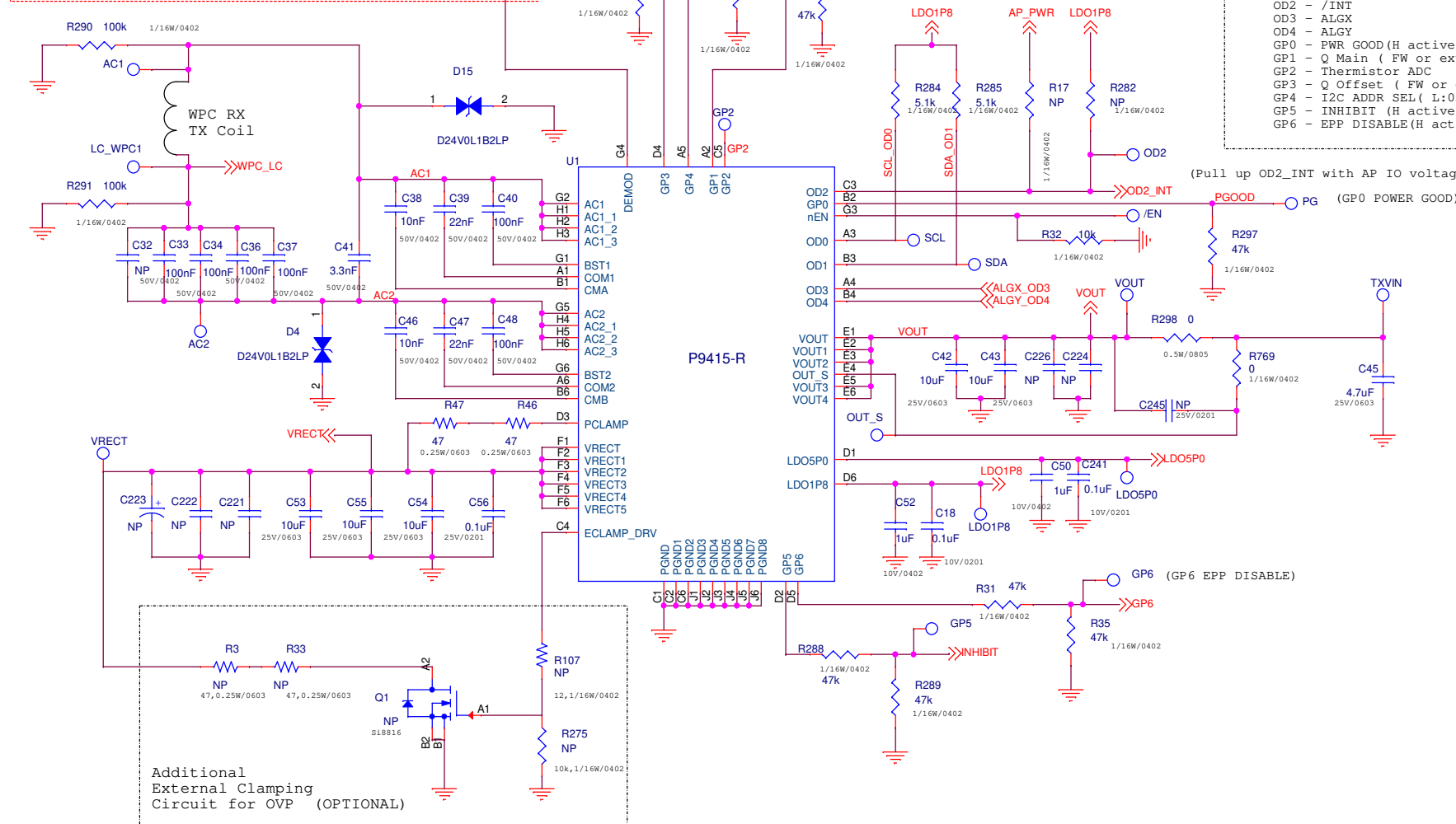
HW RX Q Factor Configuration Table Q30-Q78 (Default RXQ = FW)
* If both GP1 and GP3 are low (<0.2V), RXQ will use FW Configured value.

>=Vmin	<Vmax	Q_Main	Q_Offset	Pup(R)	Pdown(R)
0	0.20V	FW	+0	NP	47k
0.20	0.55V	Q30	+1	100k	27k
0.55	0.90V	Q40	+2	100k	68k
0.90	1.25V	Q50	+4	100k	150k
1.25	1.60V	Q60	+6	47k	180k
1.60	1.98V	Q70	+8	47k	NP

- GPIO MAP**
- OD0/OD1 - I2C SCL/SDA
 - OD2 - /INT
 - OD3 - ALGX
 - OD4 - ALGY
 - GP0 - PWR GOOD (H active, OUT)
 - GP1 - Q Main (FW or ext HW)
 - GP2 - Thermistor ADC
 - GP3 - Q Offset (FW or ext HW)
 - GP4 - I2C ADDR SEL (L:0x3B, H:0x3F)
 - GP5 - INHIBIT (H active, IN)
 - GP6 - EPP DISABLE (H active, IN)



NOTE
[a] Thermistor component is chosen by customer to set the Input Voltage to GP2 (C5). Intended for coil temperature.
[b] Component's maximum power rating and value are based on under 15W power condition.



Renesas Electronics America, Inc.
REA, INC.

THIS DOCUMENT CONTAINS INFORMATION PROPRIETARY TO Renesas Electronics America, Inc. (REA). USE OR DISCLOSURE WITHOUT THE WRITTEN PERMISSION OF AN OFFICER OF REA IS EXPRESSLY FORBIDDEN

Title	IDTP9415 TRx Demo	Rev	1.1
Size	Document Number		
Customer	<Doc>		
Date:	Thursday, July 09, 2020	Sheet	1 of 1