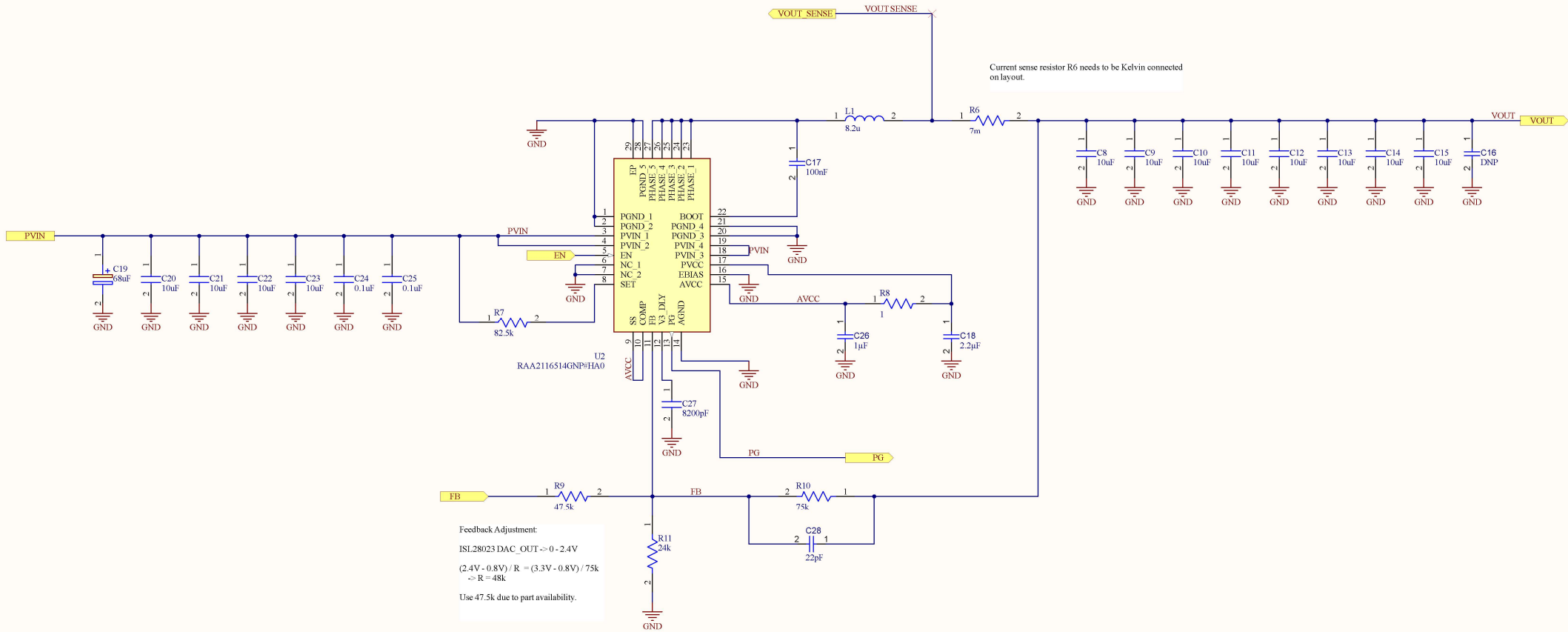


I2C Address:
 Binary: 1011 111 (0/1)
 7-bit: 0x5F
 8-bit: 0xBE/F



Feedback Adjustment:
 ISL28023 DAC_OUT -> 0 - 2.4V
 $(2.4V - 0.8V) / R = (3.3V - 0.8V) / 75k$
 $\rightarrow R = 48k$
 Use 47.5k due to part availability.