

JMP3 NPB02SVFN-RC
 JMP4 NPB02SVFN-RC
 JMP5 NPB02SVFN-RC
 JMP6 NPB02SVFN-RC

LED current target to 1mA.
 Current limiting resistor =
 $(3.3V - 1.8V) / 1mA = 1500 \text{ ohm}$

Current sense resistor R1 needs to be Kelvin connected on layout.

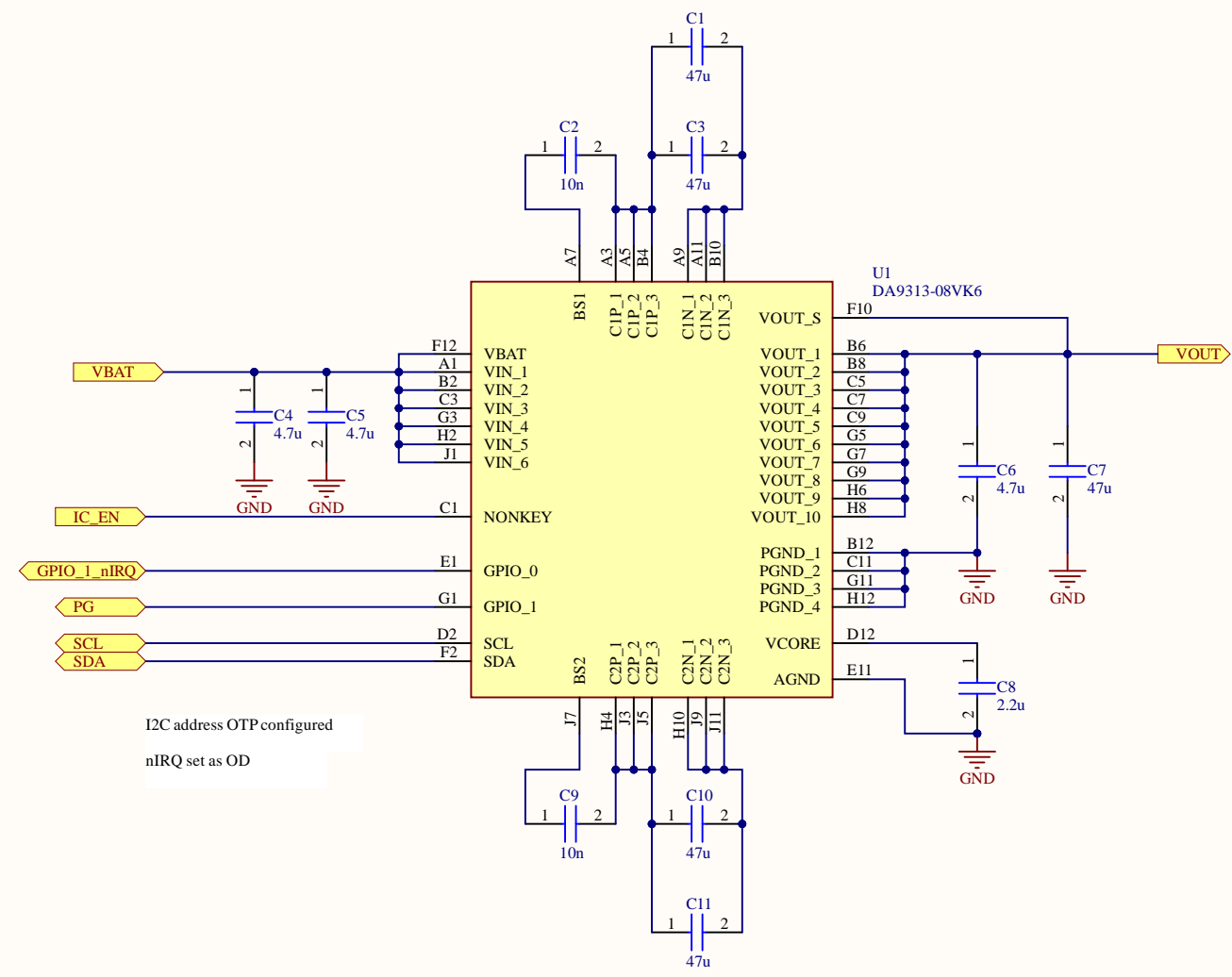
Feedback Adjustment:
 ISL28025 DAC_OUT \rightarrow 0 - 2.4V
 $(2.4V - 0.5V) / R = (5V - 0.5V) / 2.61k$
 $\rightarrow R = 1102$
 Use R13=1.10k for availability

Mark VIN and GND pins for screw terminal on layout

Mark VIN and GND pins for screw terminal on layout

Compact PM

Version: 1	Document Revision: 1
Release Date: 5/25/22	Sheet 1 of 4
File: Compact_PM.SchDoc	



I2C address OTP configured
nIRQ set as OD

