


# RAJ306010 Evaluation Board (RTK0EML2C0D05020BJ) Schematic\_full

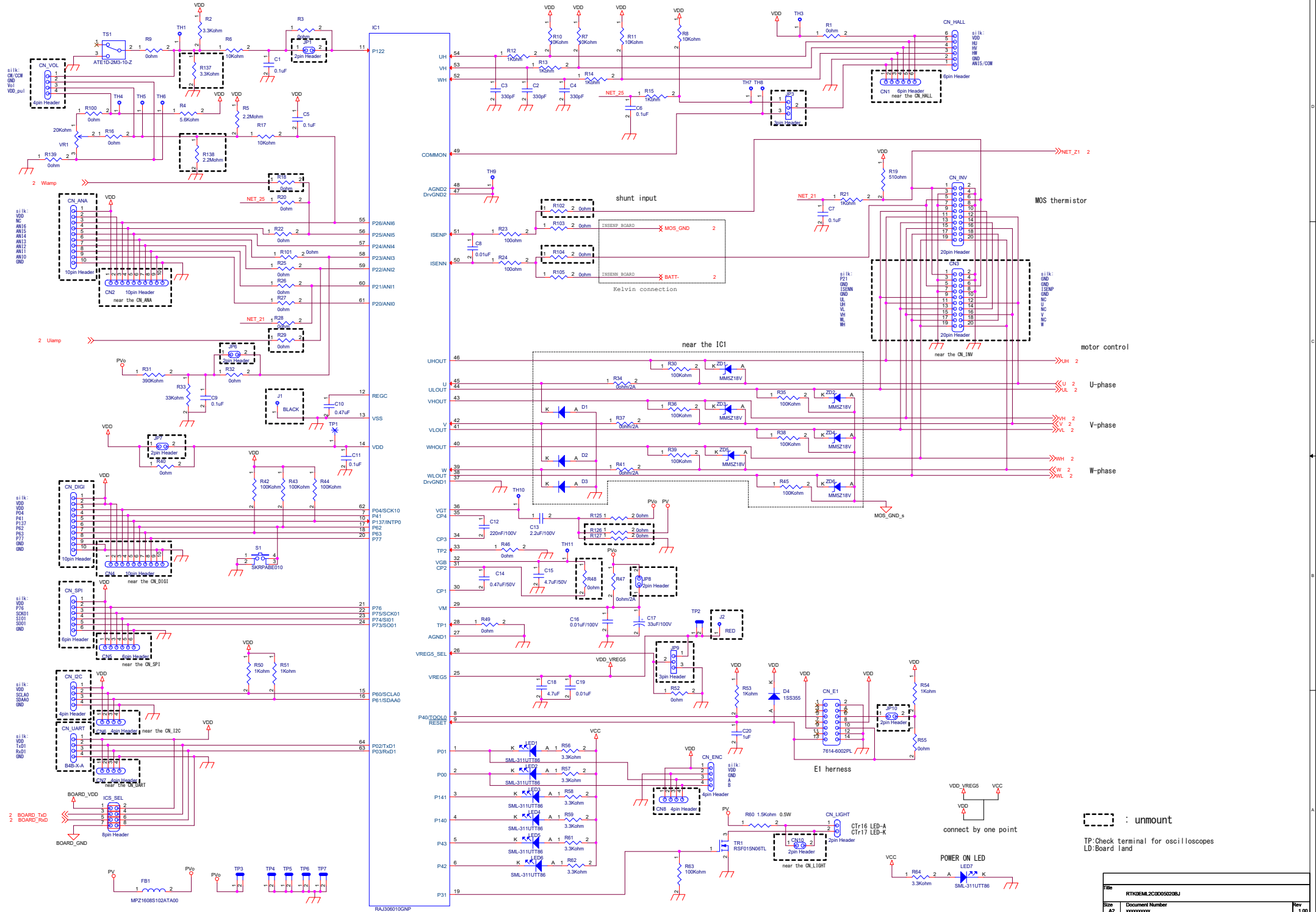
- 1:Contents
- 2:RAJ306010
- 3:RX231,MOSFET,Optional Circuit
- 4:History

IMB-PB-210074<A1181036/K11233160425>

 : unmount

TP:Check terminal for oscilloscopes  
LD:Board land

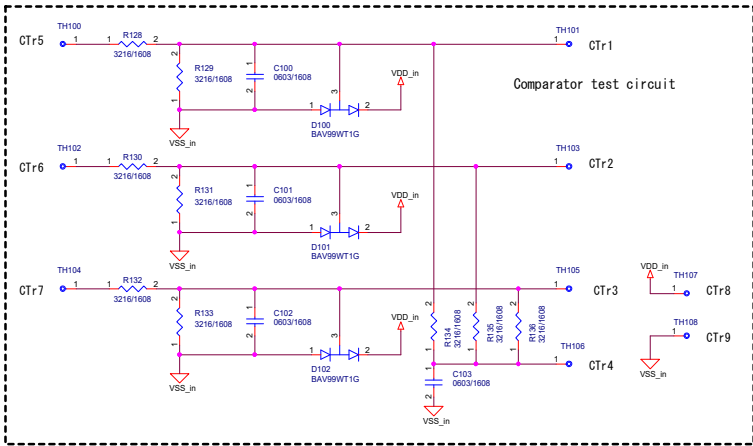
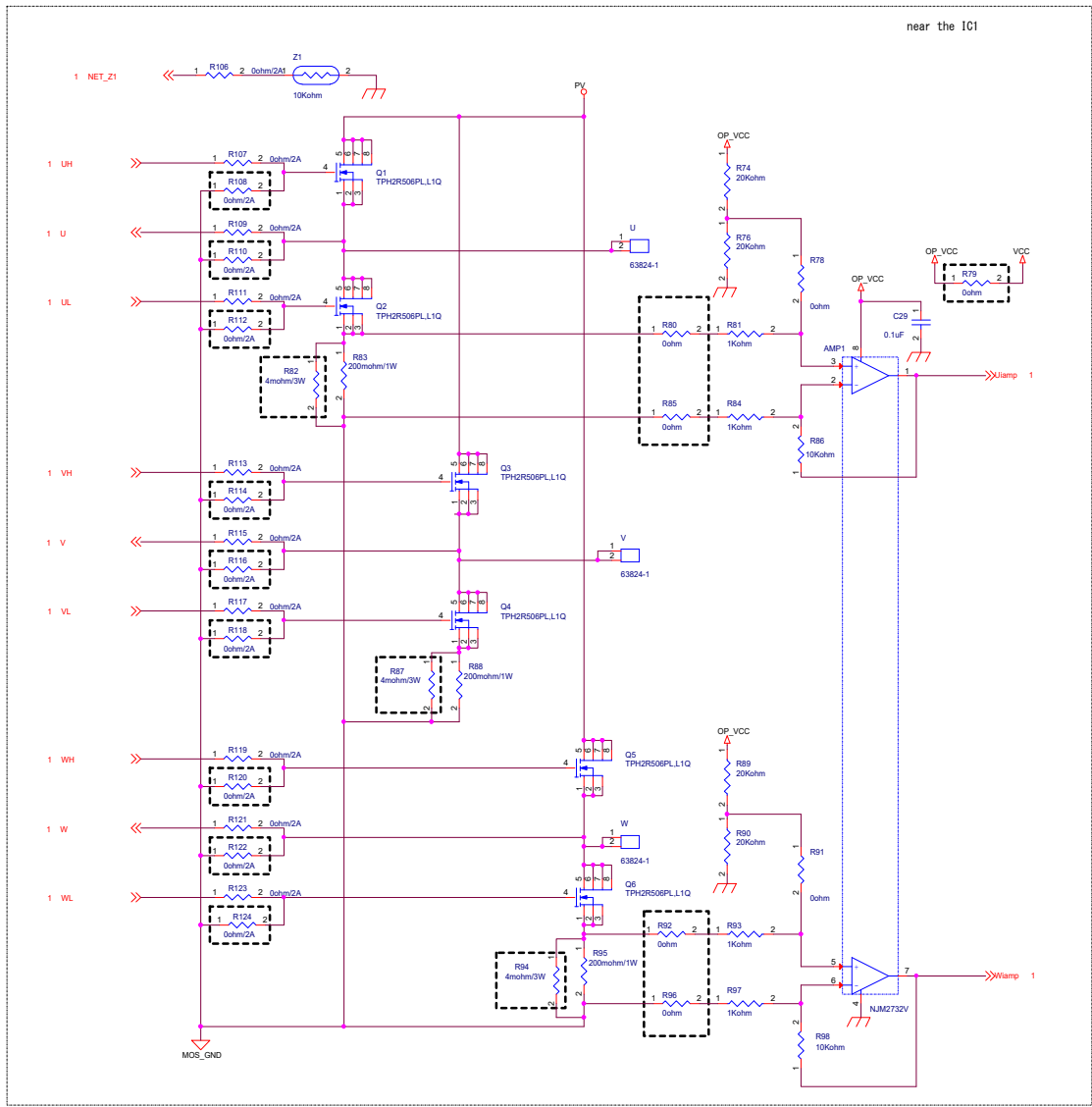
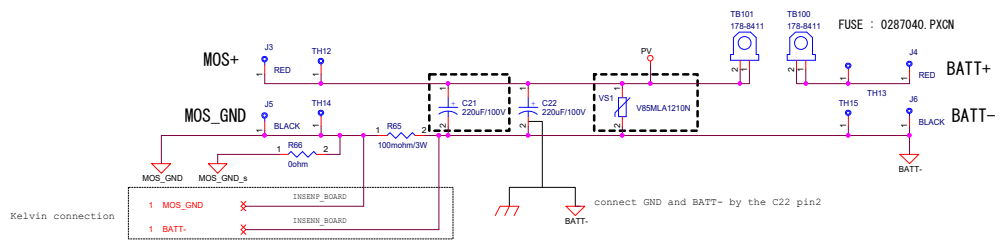
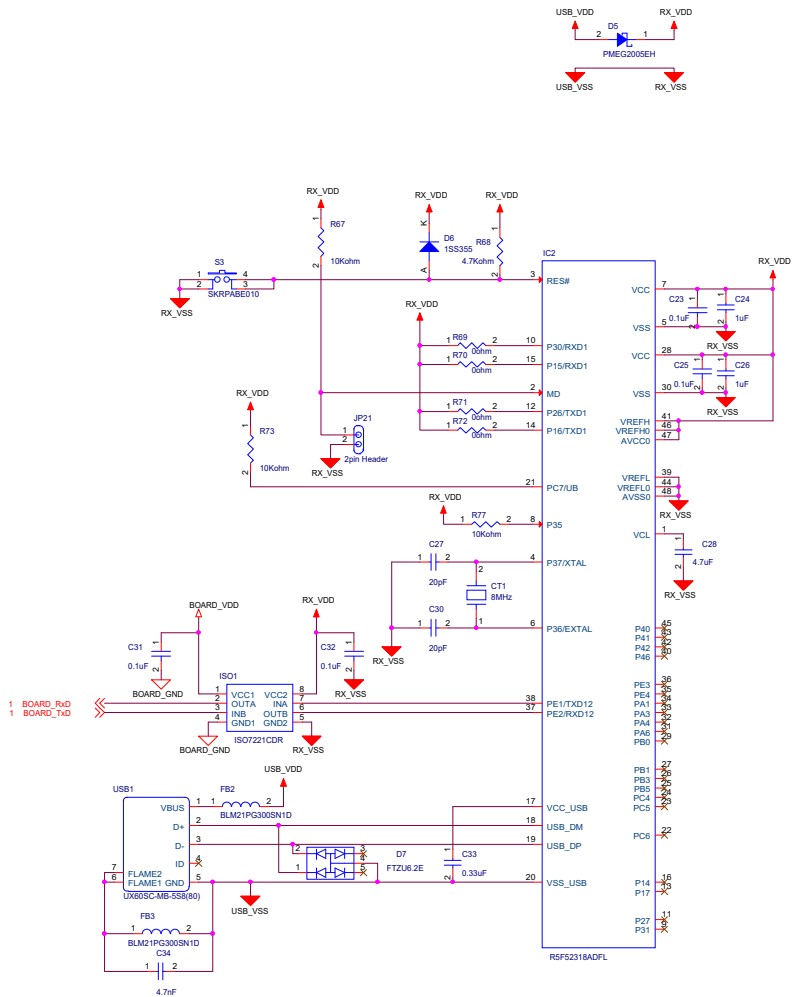
Title		
RTK0EML2C0D05020BJ		
Size	Document Number	Rev
A2	XXXXXXXXXX	1.00
Date: Wednesday, Jul 1, 2020 Sheet 1 of 4		



⊞ : unmount

TP: Check terminal for oscilloscopes  
LD: Board land

File	RTK0EML2C00050208U	
Size	Document Number	Rev
A2	XXXXXXXXXX	1.00
Date	Wednesday, Jul 1, 2020	Sheet 2 of 4



# History

REV.	Date	Page	Summary
1.00	Jul 1,2020	-	Create New