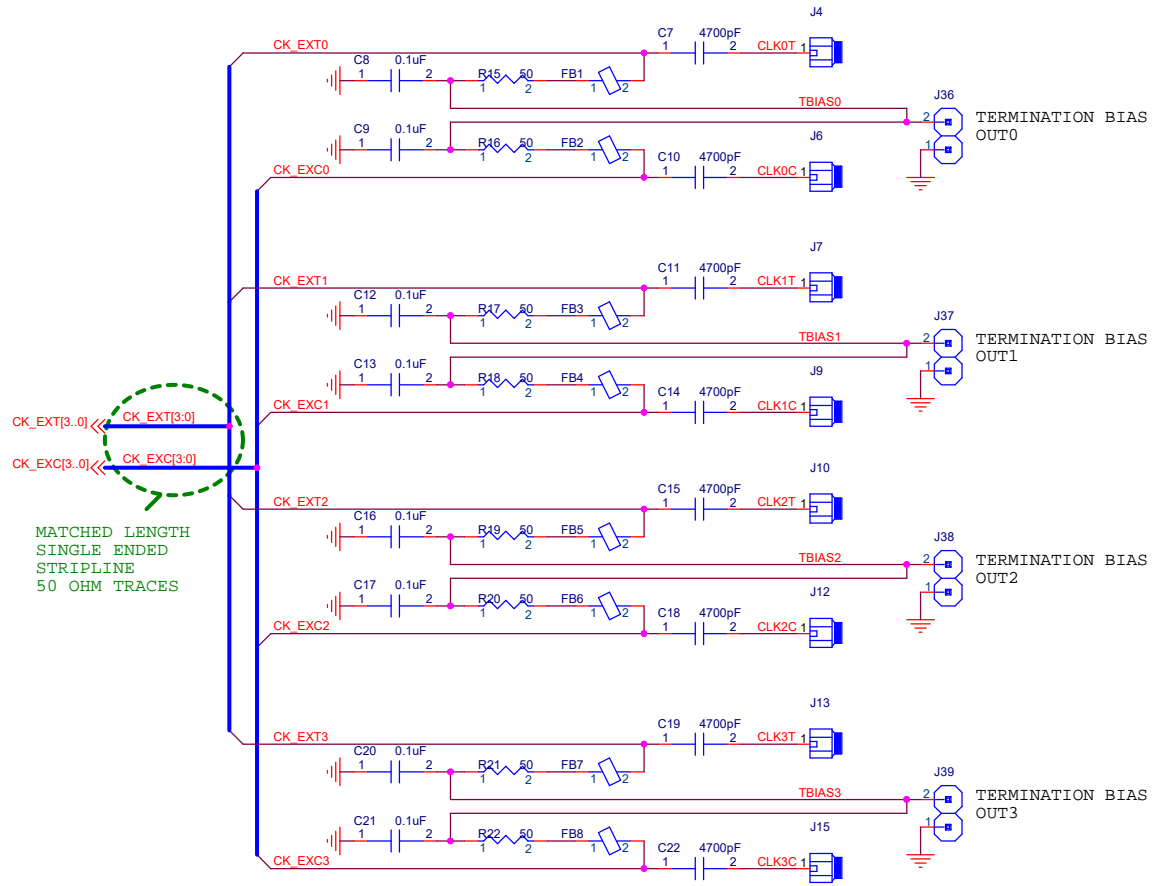


PLACE R2~10 NEAR U1 OUTPUT PINS

LED is on when Lock Pin is high.

PLACE C4, C5, C6, R11 AND R12 NEAR U10 DIFF INPUT PINS

Title		
FemtoClock2 Evaluation Board		
Size	Document Number	Rev
A	RC32514A_EVB_REV-A	A
Date:	Tuesday, April 14, 2020	Sheet 1 of 4

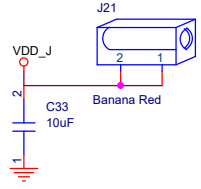
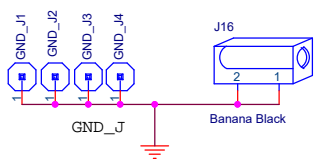


CK\_EXT[3:0] ←  
 CK\_EXC[3:0] ←

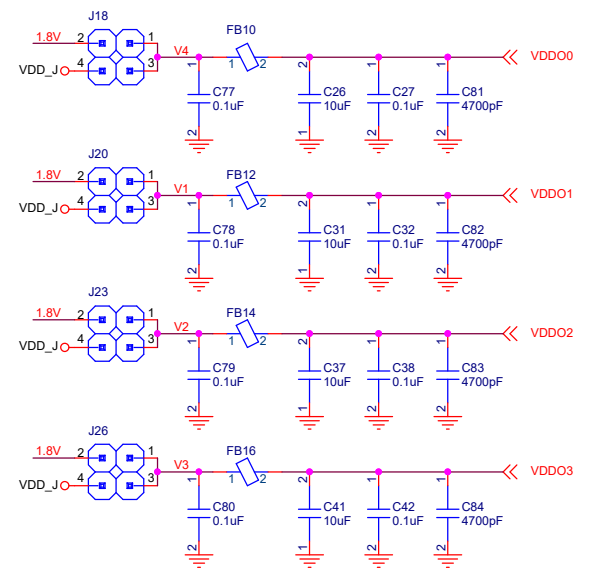
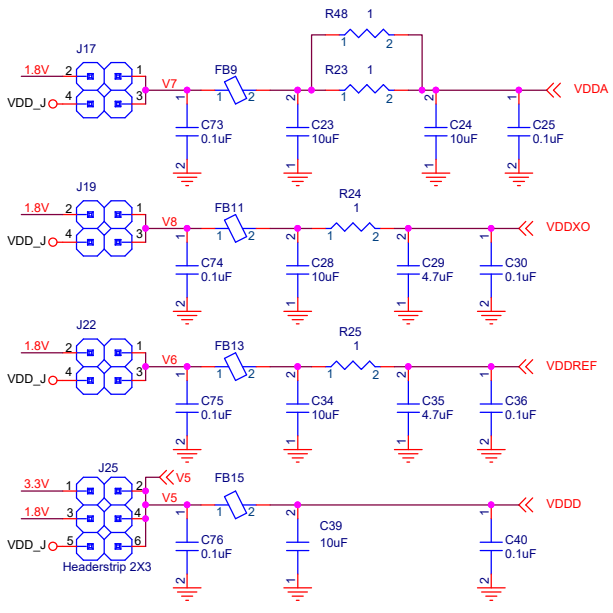
MATCHED LENGTH  
 SINGLE ENDED  
 STRIPLINE  
 50 OHM TRACES

C7, C10, C11, C14, C15  
 C18, C19 and C22 are  
 U2J dielectric capacitors.

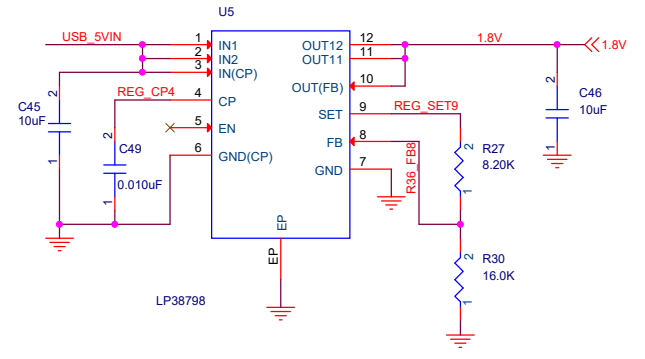
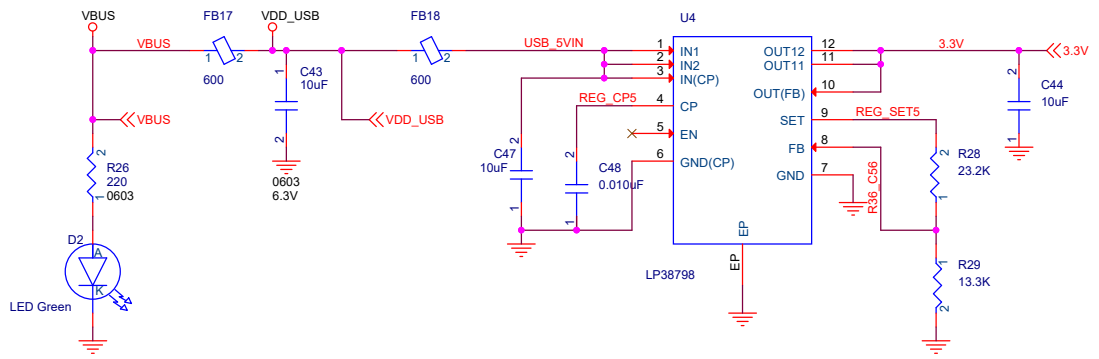
Title		
FemtoClock2 Evaluation Board		
Size	Document Number	Rev
B	RC32514A_EVB_REV-A	A
Date:	Tuesday, April 14, 2020	Sheet 2 of 4



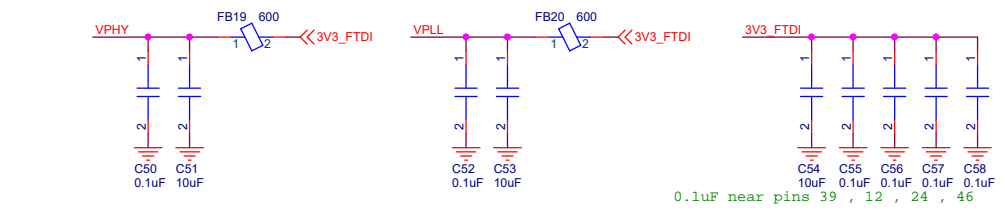
- J24 Standoff 20mm
- J27 Standoff 20mm
- J28 Standoff 20mm
- J29 Standoff 20mm
- FID1 Fiducial
- FID2 Fiducial
- FID3 Fiducial
- FID4 Fiducial
- Standoff 20mm



C81, C82, C83 and C84 are U2J dielectric capacitors.

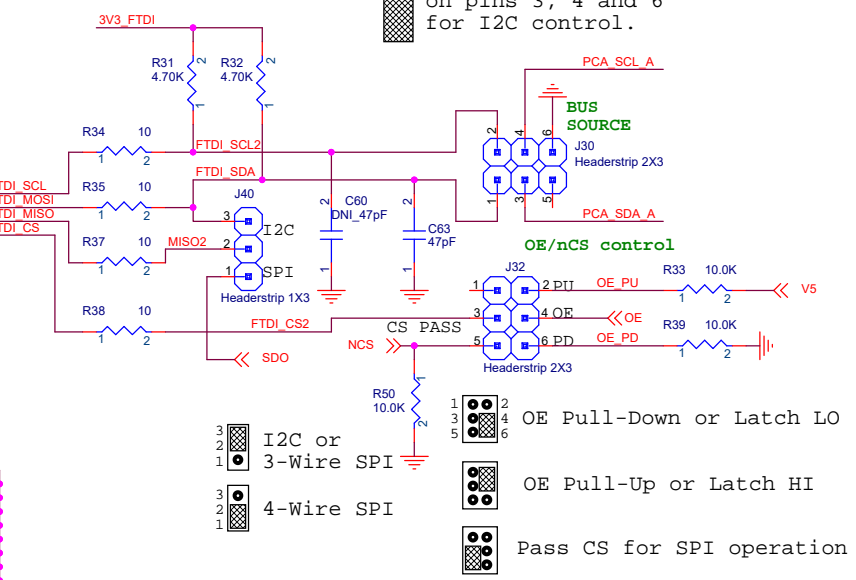
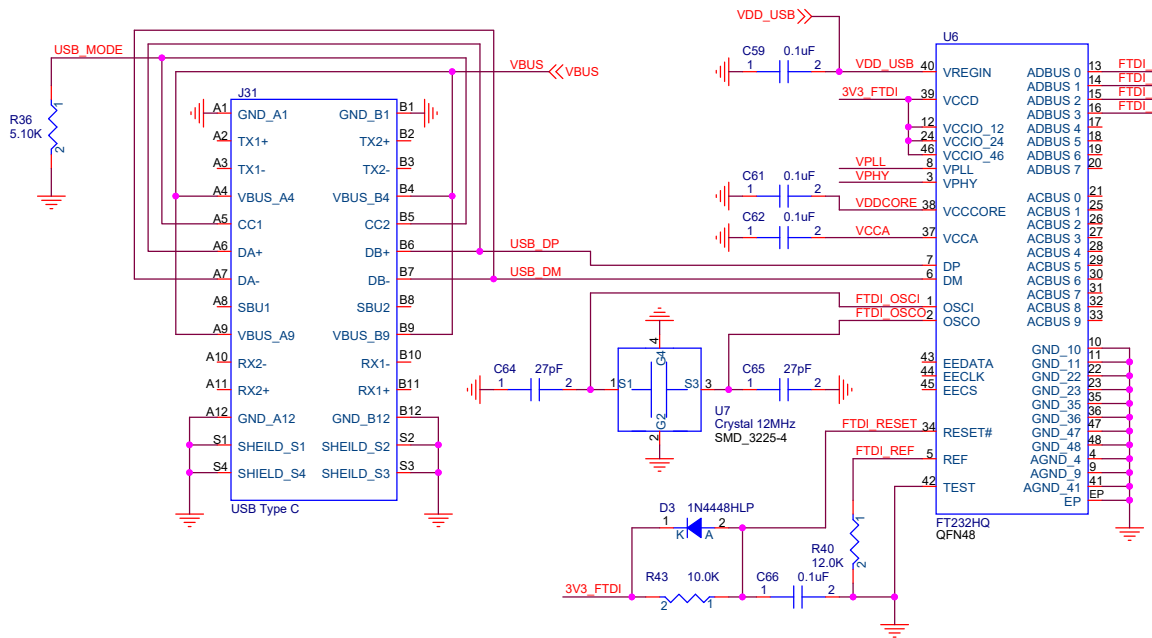


Title		
FemtoClock2 Evaluation Board		
Size	Document Number	Rev
B	RC32514A_EVB_REV-A	A
Date:	Friday, April 17, 2020	Sheet 3 of 4



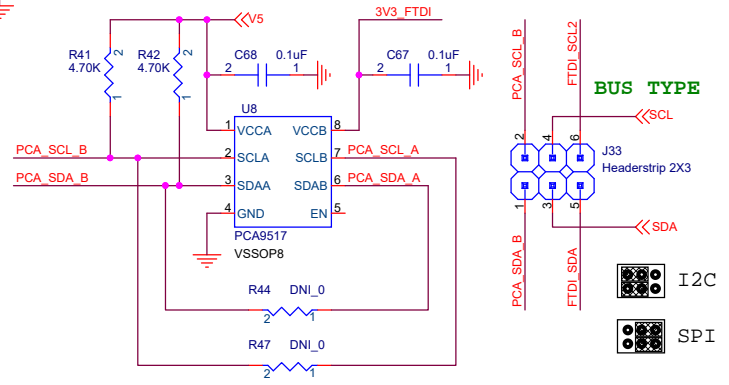
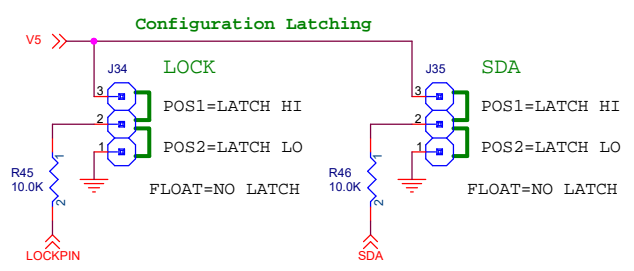
FTDI Controls  
I2C/SPI

Aardvark Connector  
on pins 3, 4 and 6  
for I2C control.



- 3 I2C or 3-Wire SPI
- 1 4-Wire SPI

- 1 OE Pull-Down or Latch LO
- 1 OE Pull-Up or Latch HI
- 1 Pass CS for SPI operation



Assemble R44 and R47 when not assembling U9.

Title		
FemtoClock2 Evaluation Board		
Size B	Document Number	Rev A
	RC32514A_EVB_REV-A	
Date:	Thursday, April 16, 2020	Sheet 4 of 4