

RL78/G16 Fast Prototyping Board Schematic

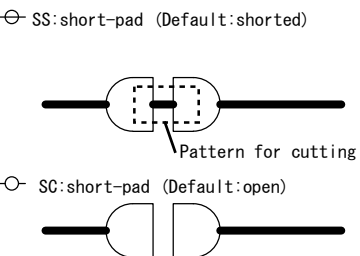
Product No : RTK5RLG160C00000BJ

Document Number : R12TU0180EJ Rev : 1.00

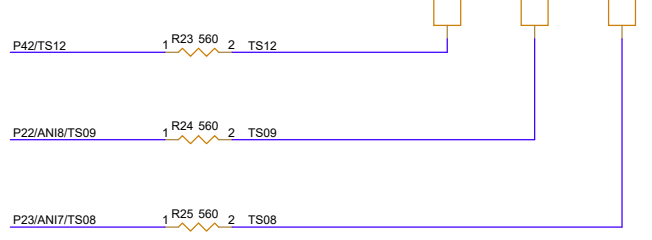
Page1 : CPU, GROVE I/F, CLOCK, SW, LED, Arduino UNO R3 I/F, MCU Header I/F,
Capacitive touch button, Capacitive touch Slider

Page2 : USB Type-C I/F, E2 Emulator I/F, RESET, Pmod I/F, POWER

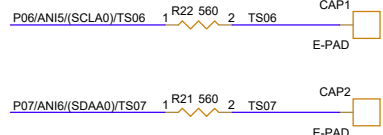
*(DNF) : Do not fit (Unmount)



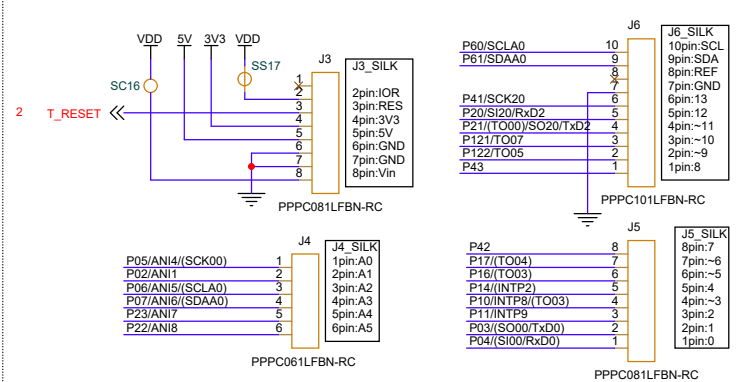
Capacitive Touch Slider



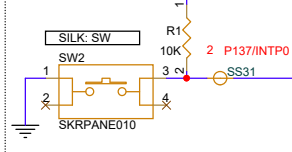
Capacitive Touch Button



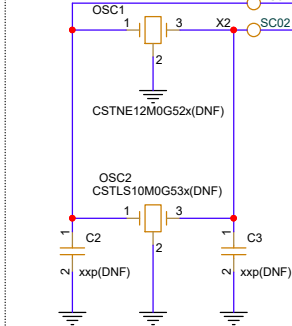
Arduino UNO R3 I/F



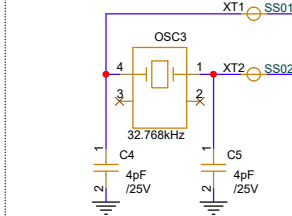
SW



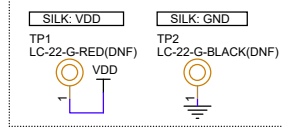
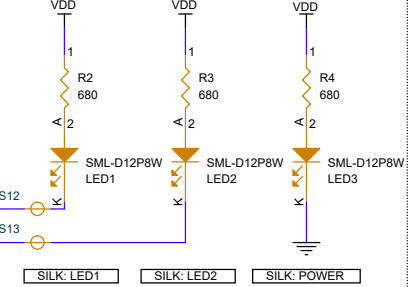
Main CLOCK



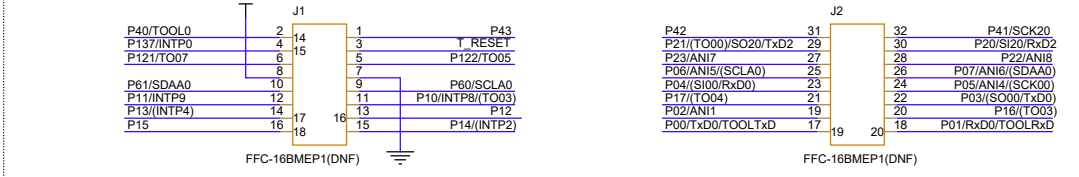
Sub CLOCK



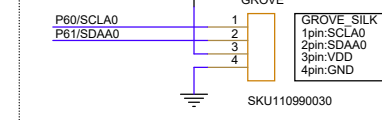
LED



MCU header I/F

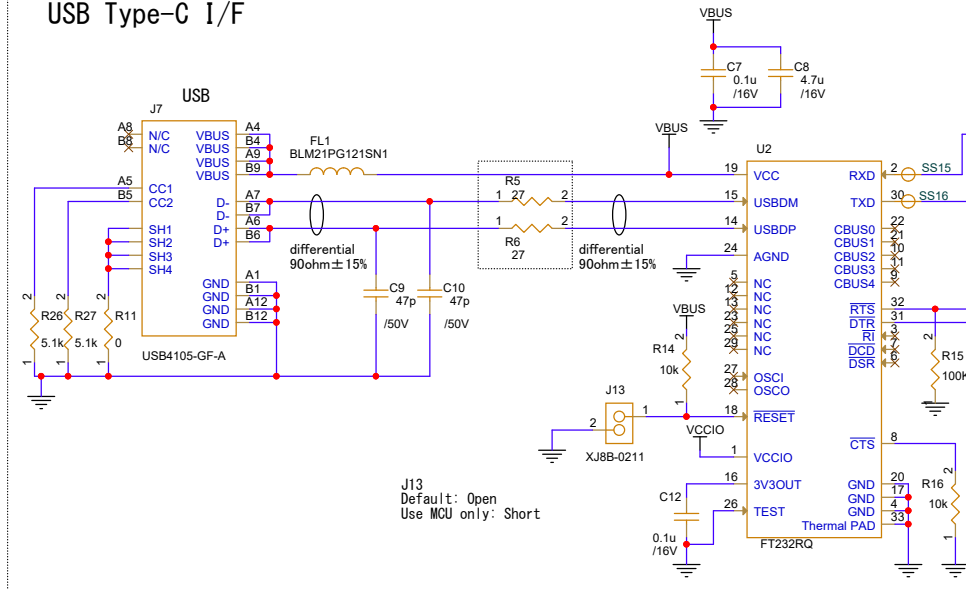


GROVE I/F



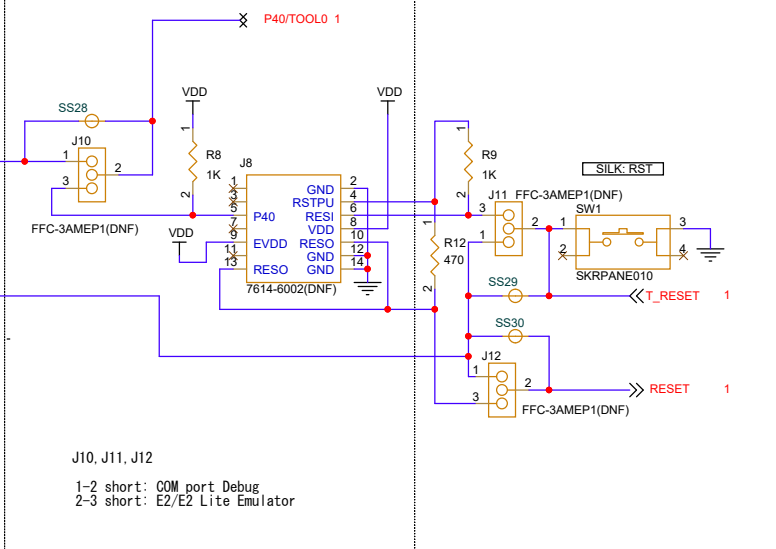
RENESAS Renesas Electronics Corporation		
Title: RTKSRLG160C00000BJ		
Size: A3	Document Number: R12TU0180EJ	Rev: 1.00
Date: May 1, 2023	Sheet: 1	of 2

USB Type-C I/F



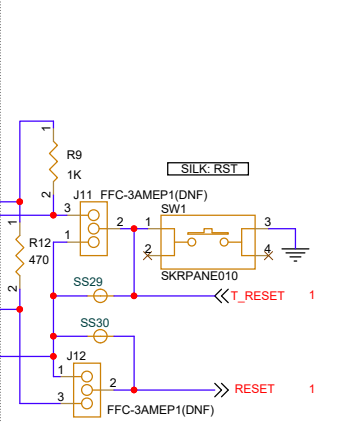
J13
Default: Open
Use MCU only: Short

E2 Emulator I/F

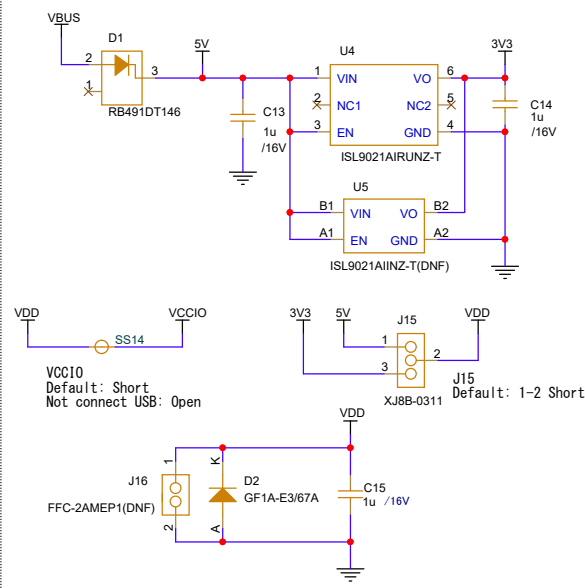


J10, J11, J12
1-2 short: COM port Debug
2-3 short: E2/E2 Lite Emulator

RESET



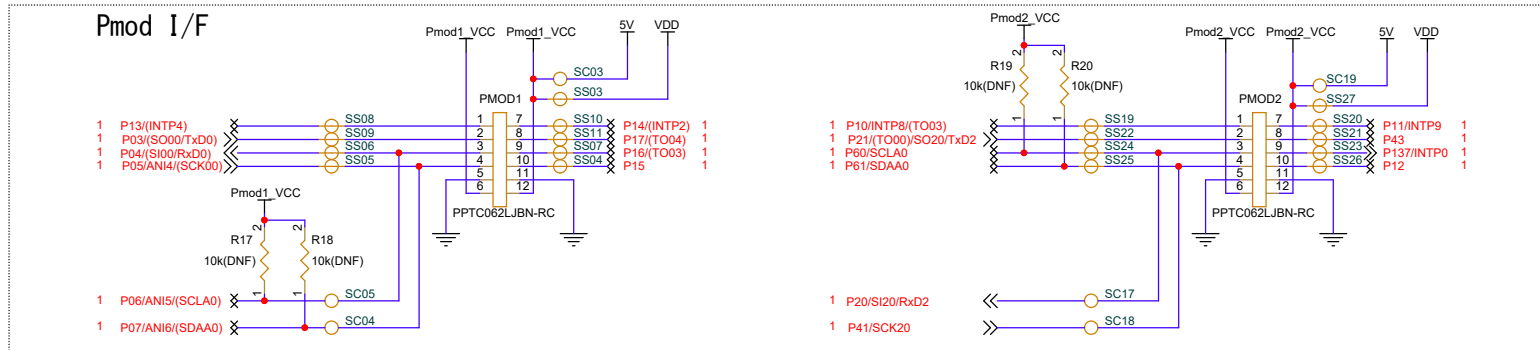
POWER



VCC10
Default: Short
Not connect USB: Open

J15
Default: 1-2 Short

Pmod I/F



1 P13/(INTP4) X
1 P03/(SO0/TxD0) X
1 P04/(SI00/RxD0) X
1 P05/ANI4/(SCK00) X

1 P06/ANI5/(SCLA0) X
1 P07/ANI6/(SDAA0) X

1 P10/(INTP8/(TO03)) X
1 P21/(TO00)/SO20/TxD2 X
1 P60/SCLA0 X
1 P61/SDAA0 X

1 P20/SI20/RxD2 X
1 P41/SCK20 X