

# RL78/G23-128p Fast Prototyping Board Schematic

Product No: RTK7RLG230CSN000BJ

Document No:R20UT4993EJ Rev.1.00

Page1 : CPU, GROVE I/F, Arduino MEGA 2560 I/F, LED, Capacitive Touch Button, SW, CLOCK

Page2 : POWER, Micro USB I/F, E2 Emulator I/F, Reset, MCU Header, Pmod I/F

\*(DNF) : Do not fit(Unmount)

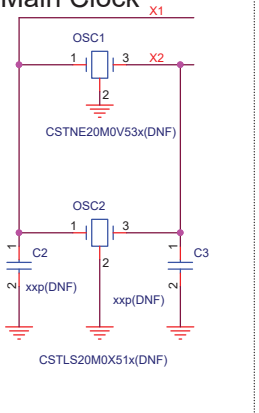
SS: short-pad (Default:shorted)



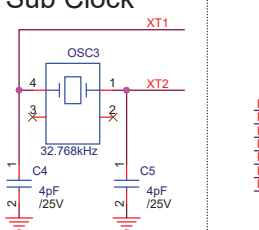
SO: short-pad (Default:open)



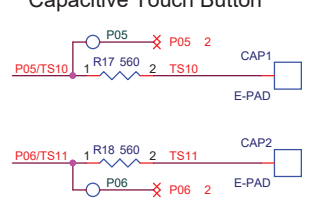
Main Clock



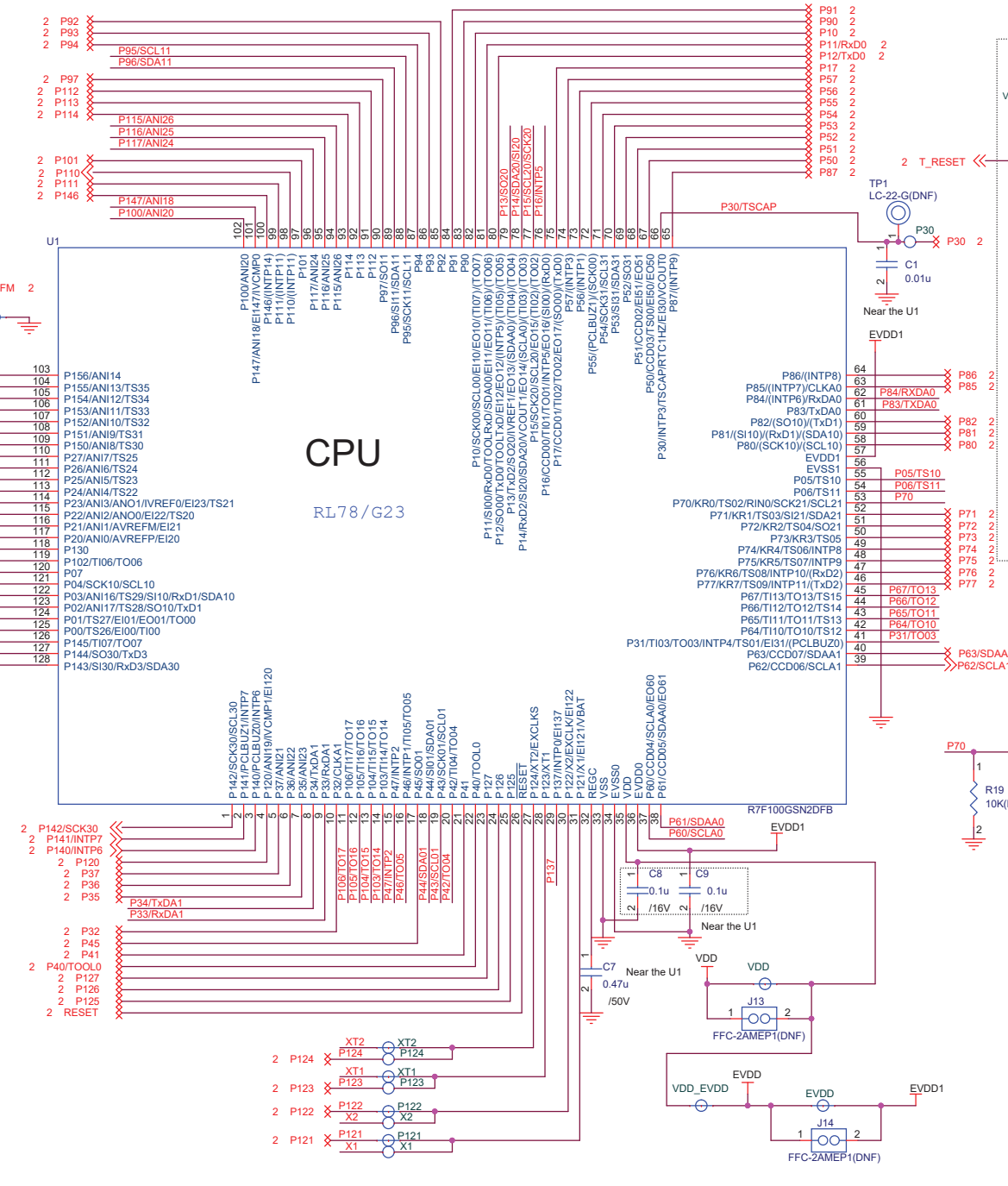
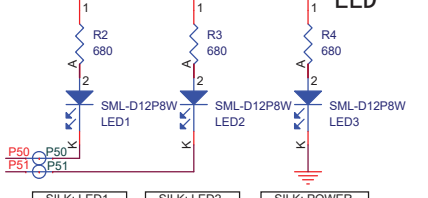
Sub Clock



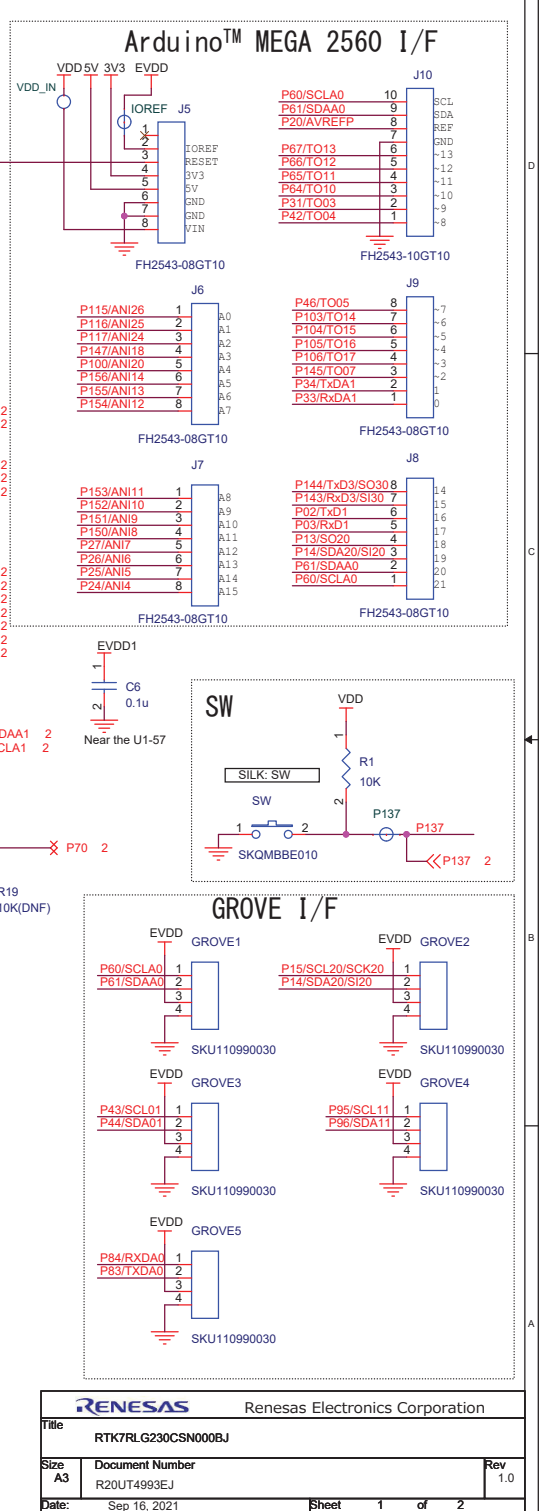
Capacitive Touch Button



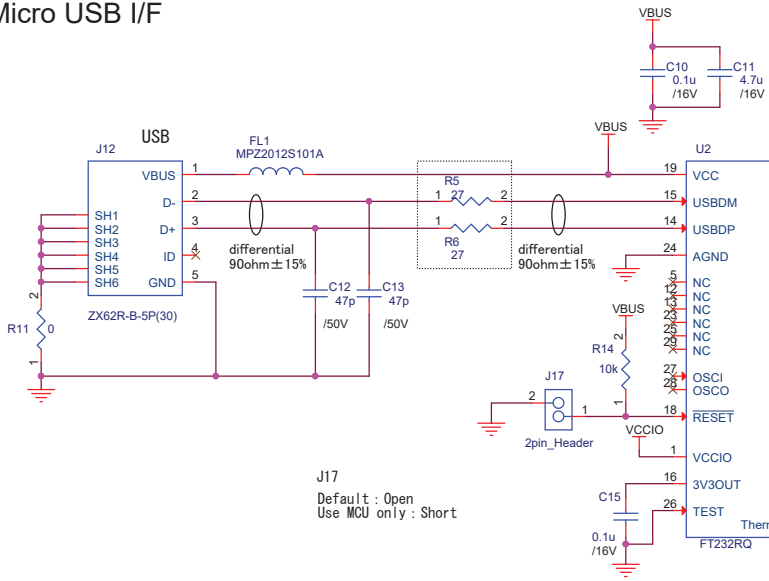
LED



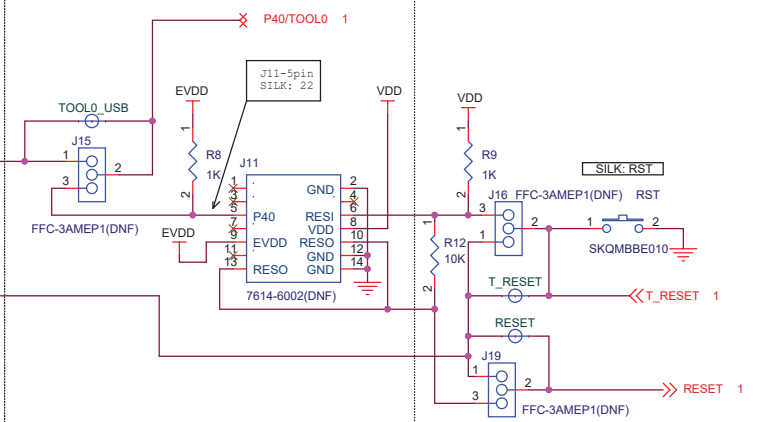
Shielded the line by GND  
OSC1, OSC2, X1, X2, XT1, XT2, RESET, T\_RESET  
Thicken the power line  
VDD, EVDD, EVDD1, REGC, 5V, VBUS, 3V3, Pmod1\_VCC, Pmod2\_VCC



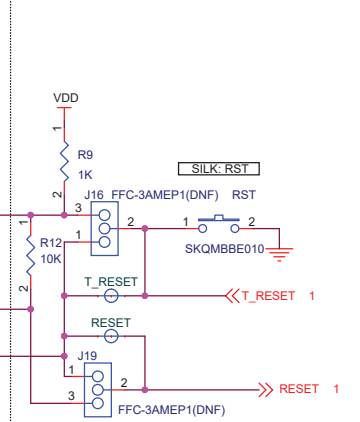
### Micro USB I/F



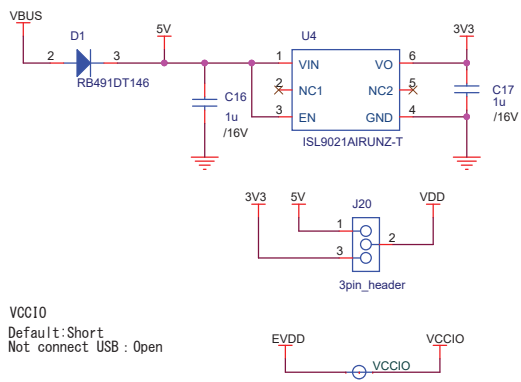
### E2 Emulator I/F



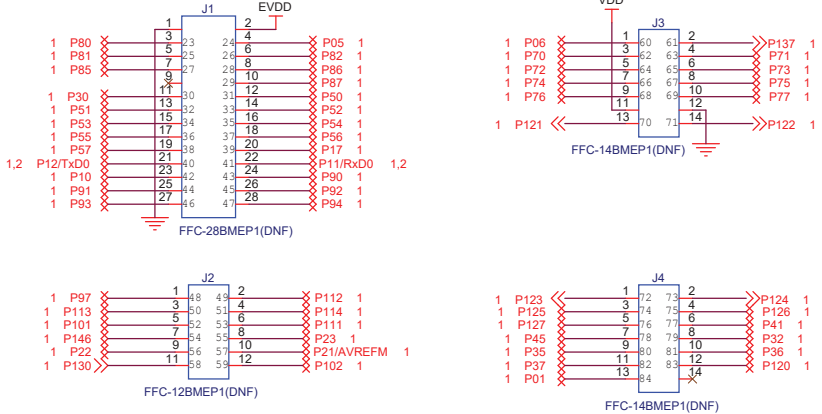
### RESET



### POWER



### MCU header



### Pmod™ I/F

