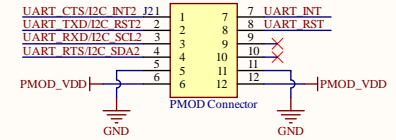
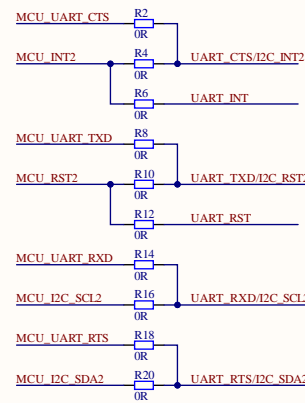
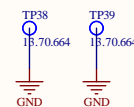
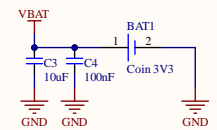
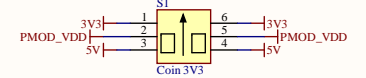
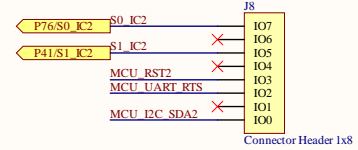
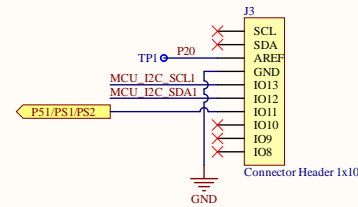
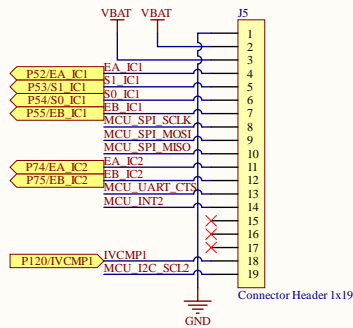
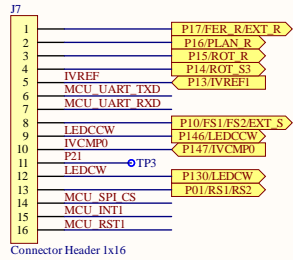
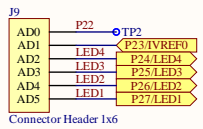
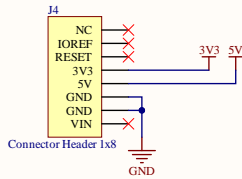


	SPI Configuration	I2C CH1 Configuration
R1	PLACE	DNP
R3	DNP	PLACE
R5	PLACE	DNP
R7	PLACE	DNP
R9	DNP	PLACE
R11	PLACE	DNP
R13	PLACE	DNP
R15	DNP	PLACE
R17	PLACE	DNP
R19	DNP	PLACE



	UART Configuration	I2C CH2 Configuration
R2	PLACE	DNP
R4	DNP	PLACE
R6	PLACE	DNP
R8	PLACE	DNP
R10	DNP	PLACE
R12	PLACE	DNP
R14	PLACE	DNP
R16	DNP	PLACE
R18	PLACE	DNP
R20	DNP	PLACE

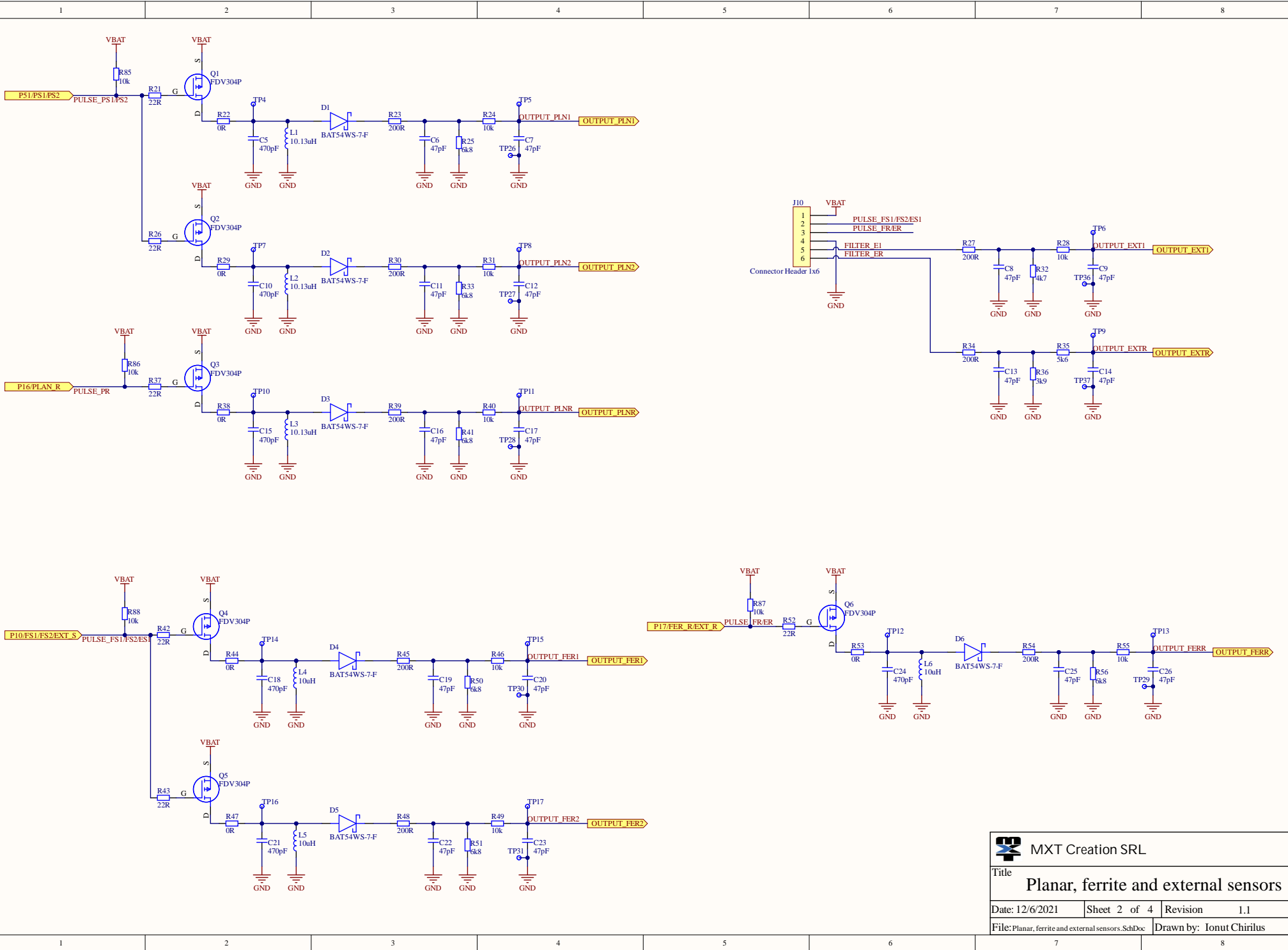


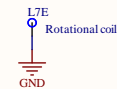
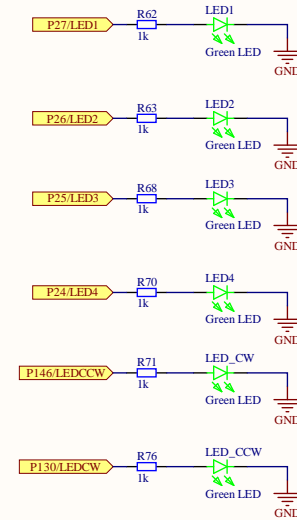
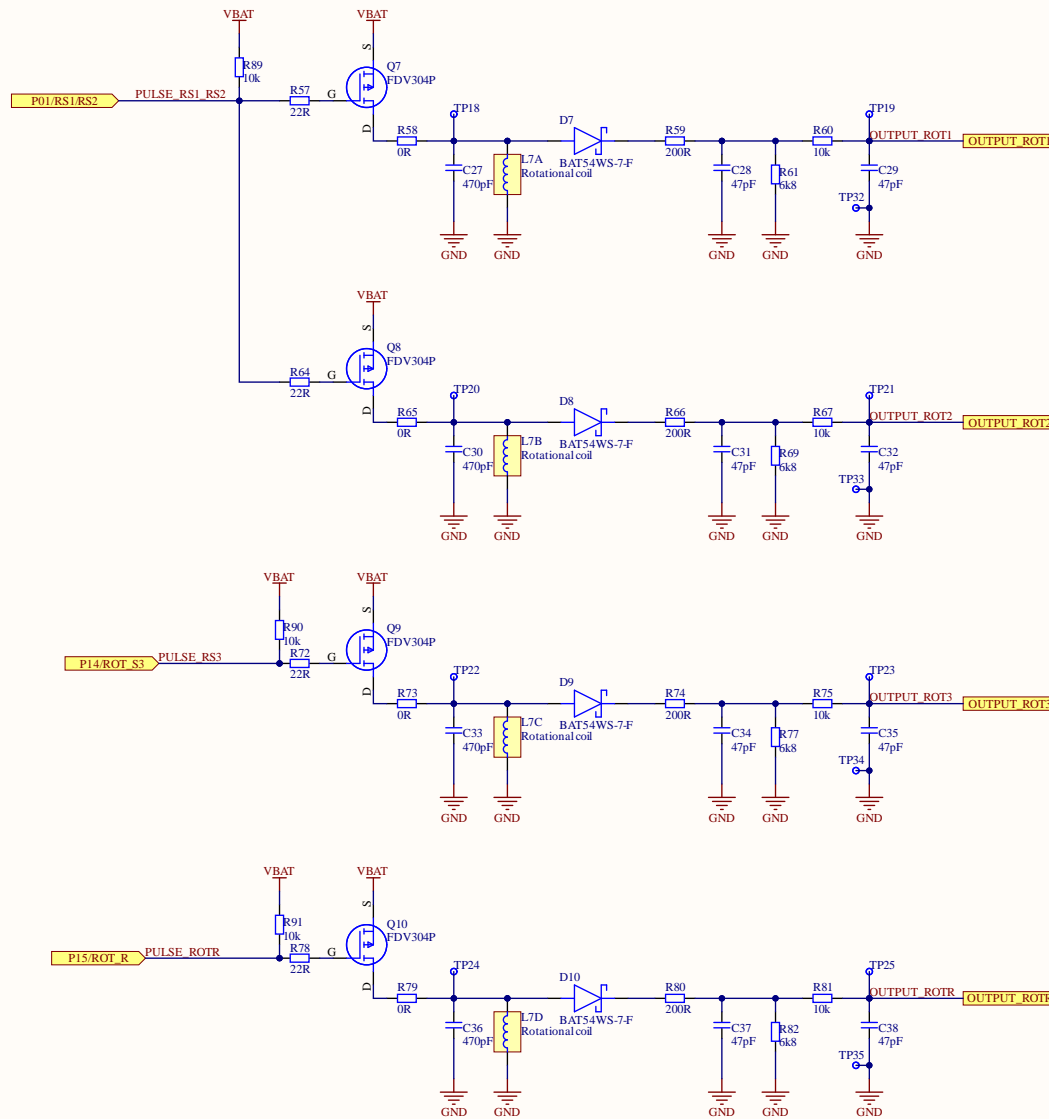
MXT Creation SRL


Title: **Board Connectors**

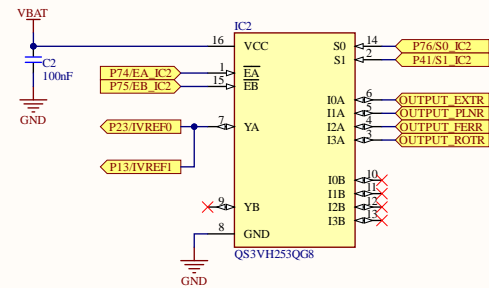
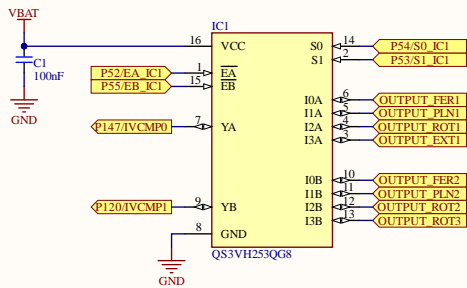
Date: 12/6/2021 | Sheet 1 of 4 | Revision 1.1


File: Board_Connectors.SchDoc | Drawn by: Ionut Chirilus





 MXT Creation SRL		
Title Rotational sensors and LEDs		
Date: 12/6/2021	Sheet 3 of 4	Revision 1.1
File: Rotational sensors and LEDs.SchDoc		Drawn by: Ionut Chirilus



 MXT Creation SRL			
Title			
Rotational sensor group			
Date: 12/6/2021	Sheet 4 of 4	Revision	1.1
File: Mux-Demux_SchDoc			Drawn by: Ionut Chirilus