

# RL78/G24 Fast Prototyping Board Schematic

Product No: RTK7RLG240C00000BJ

Document No:R20UT5092EJ Rev.1.00

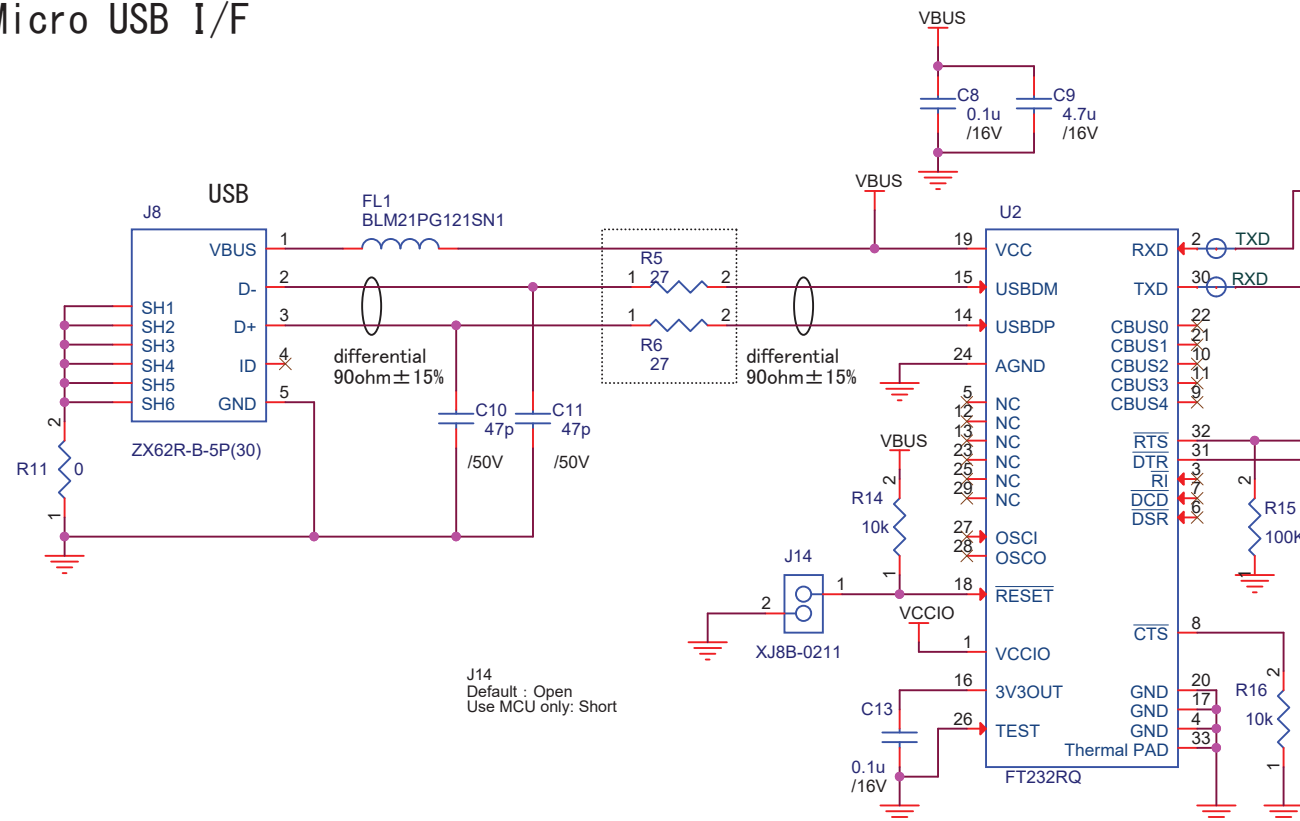
Page1 : CPU, GROVE I/F, LED, SW, CLOCK

Page2 : POWER, Micro USB I/F, E2 Emulator I/F, Reset, MCU Header, Pmod I/F, Arduino UNO R3 I/F

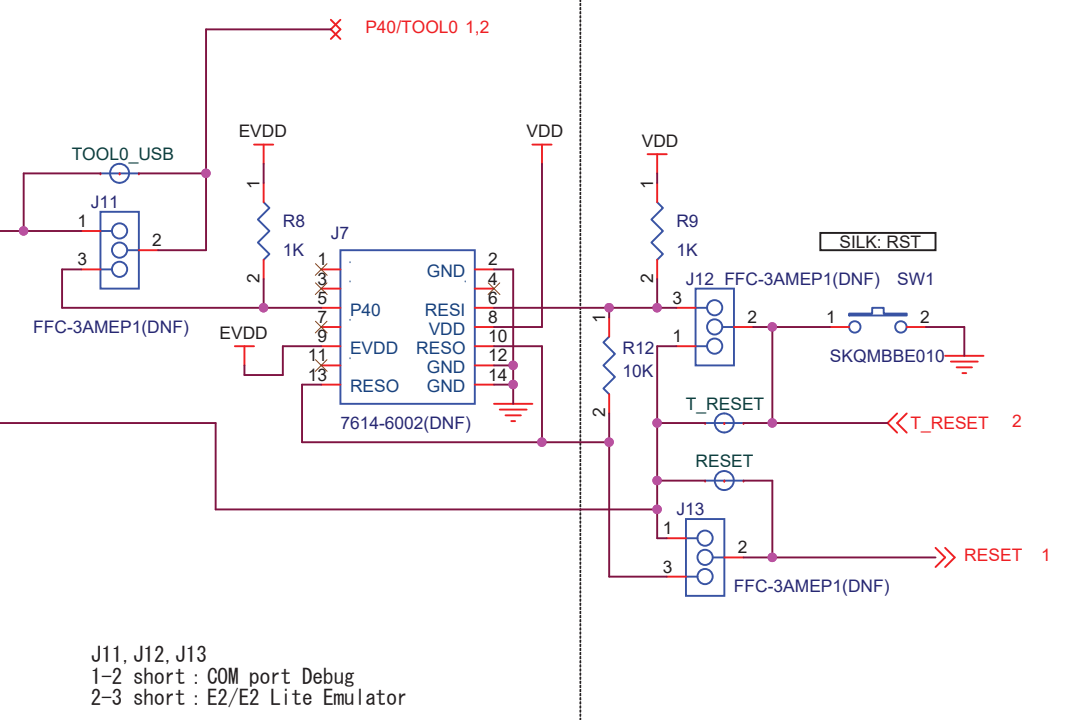
\*(DNF) : Do not fit(Unmount)



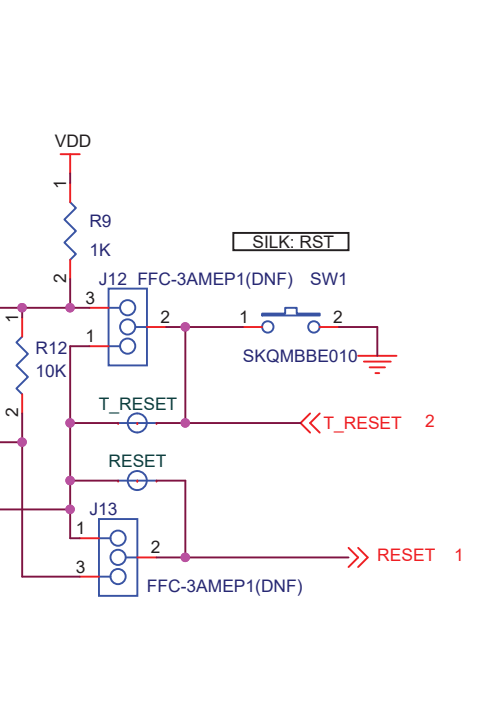
# Micro USB I/F



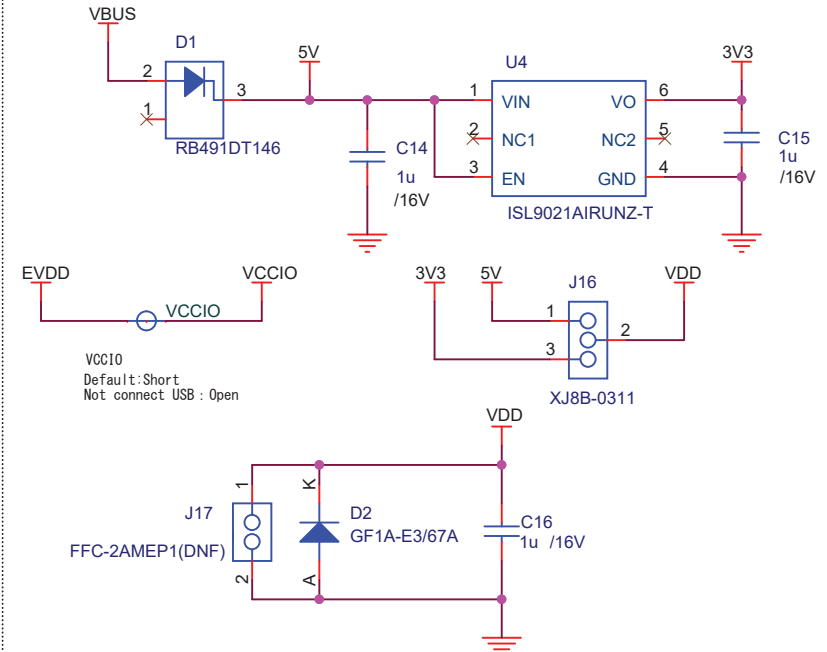
# E2 Emulator I/F



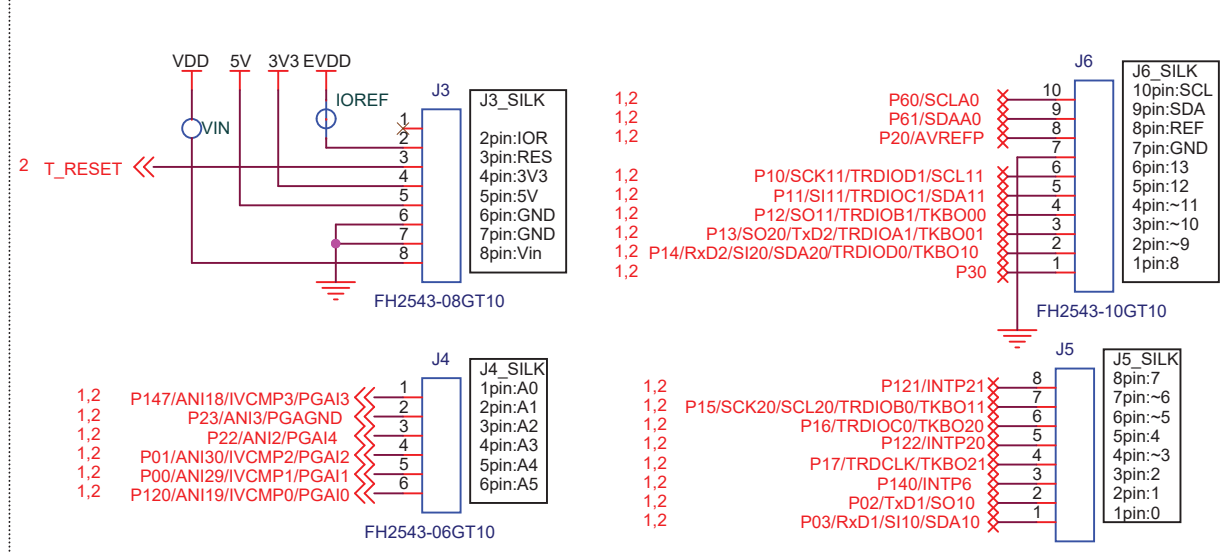
# RESET



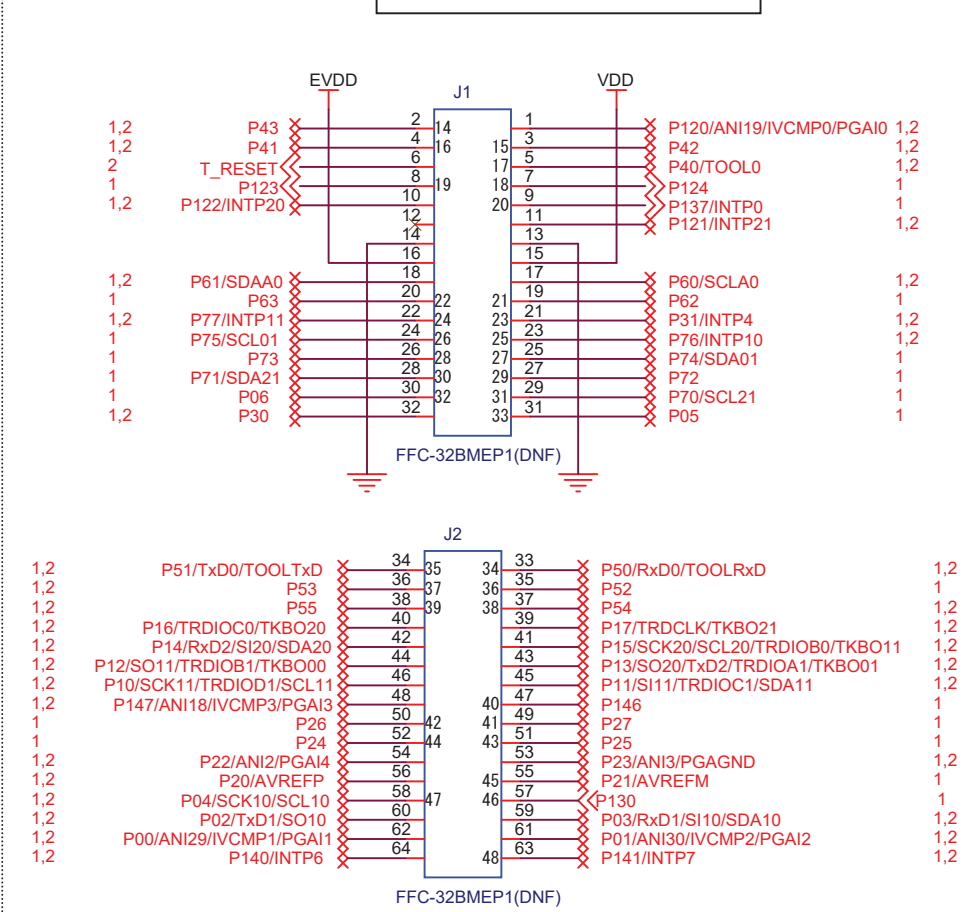
# Power



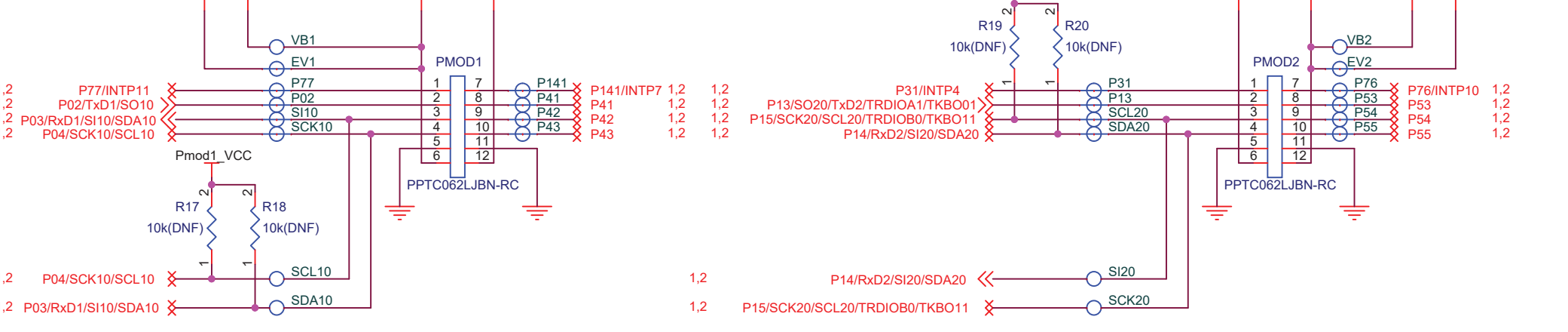
# Arduino UNO R3 I/F



# MCU header I/F



# Pmod I/F



RENESAS		Renesas Electronics Corporation	
Title: RTK7RLG240C00000BJ			
Size: A3	Document Number: R20UT5092EJ	Rev: 1.0	
Date: Apr 16, 2023	Sheet: 2		of 2