

F5701

24.25GHz – 29.5GHz RF, 2.5GHz – 6GHz IF Upconverter/Downconverter

The F5701 is a highly integrated RF upconverter/downconverter used in 5G beamforming applications targeting the n257/n261 and n258 bands. The device uses classic TX and RX heterodyne architectures to convert 2.5GHz to 6GHz IF signals to the 5G NR (new radio) millimeter-wave bands spanning the 24.25GHz to 29.5GHz spectrum. Low-side Local Oscillator (LO) injection is used with the TX and RX mixer cores supporting internal LO frequencies ranging between 18.25GHz and 27GHz. LO feed requirements are eased by two sequential on-chip LO frequency doublers that yield net multiplicative factors of either 2x or 4x. The F5701 supports programmability between separate RF ports for TX and RX, and a single RF input/output port with a low insertion loss TRX switch integrated on the chip, therefore, eliminating the need for an off-chip TRX switch for TDD applications. The F5701 provides real IF RX and TX ports with on-chip I/Q combination, resulting in much more relaxed requirements for IF routing, IF VGAs and data converters, compared to those of the up-down converters with complex I/Q IF interfaces. On-chip 9-bit DACs provide fine control for image-rejection calibration.

All RF, IF, and LO ports employ single-ended 50Ω impedances for ease of integration into the signal path. Each device uses a 2.5V analog supply and a programmable 2.5V–3.3V PA supply to provide a wide range of TX output power levels with high efficiency. The digital core and SPI use a 1.8V supply generated by an on-chip LDO.

Competitive Advantage

- Compact and highly-integrated design with low DC power consumption simplifies beamforming applications
- RF port programmability between RX/TX and TRX with integrated TRX switch provides ultimate flexibility and reduces RF routing and BOM cost
- On-chip I/Q combination with excellent sideband suppression and image rejection halves IF routing, VGAs, and data converters
- Industry-leading TX linearity allows a single transceiver to drive up to 64 elements

- Two sequential LO frequency doublers eliminate the need to route troublesome high-frequency LO signals on printed circuit board (PCB)
- Advanced LO leakage calibration mechanism for industry-leading performance

Features

General

- RF range: 24.25GHz to 29.5GHz (n257/n258)
- IF range: 2.5GHz to 6GHz
- Two integrated LO frequency doublers
- Analog supply voltage: +2.4V to +2.6V
- Dedicated PA supply voltage: selectable between +2.4V to +2.6V and +3.0V to +3.3V
- Operating temperature (T_A) range: -40°C to +95°C
- 4.0 × 4.5 mm 49-BGA package

Transmit Mode (Typical Across RF/IF Bands)

- > 29.5dB conversion gain from the IF/RF amplifiers and single-sideband (SSB) mixer core
- > +20dBm OP1dB and > +28.8dBm OIP3
- 30dB of Glitch-Free™ gain adjustment
- < -23.7dBc LO leakage and > 29.6dBc of sideband suppression across the frequency band
- Envelope detector provided for accurate LO leakage estimation and calibration loop-back

Receive Mode (Typical Across RF/IF Bands)

- > 22.5dB conversion gain from the RF/IF amplifiers and image-reject mixer (IRM) core
- < 5.6dB noise figure (5.5dB for the RX2 path)
- > -17.6dBm IP1dB and > -8.5dBm IIP3
- 30dB of Glitch-Free gain adjustment
- > 22.9dBc image rejection over voltage/temperature and the RF frequency band
- Several additional knobs to trade-off NF with IIP3

Applications

- 5G Phased Arrays and Massive MIMO

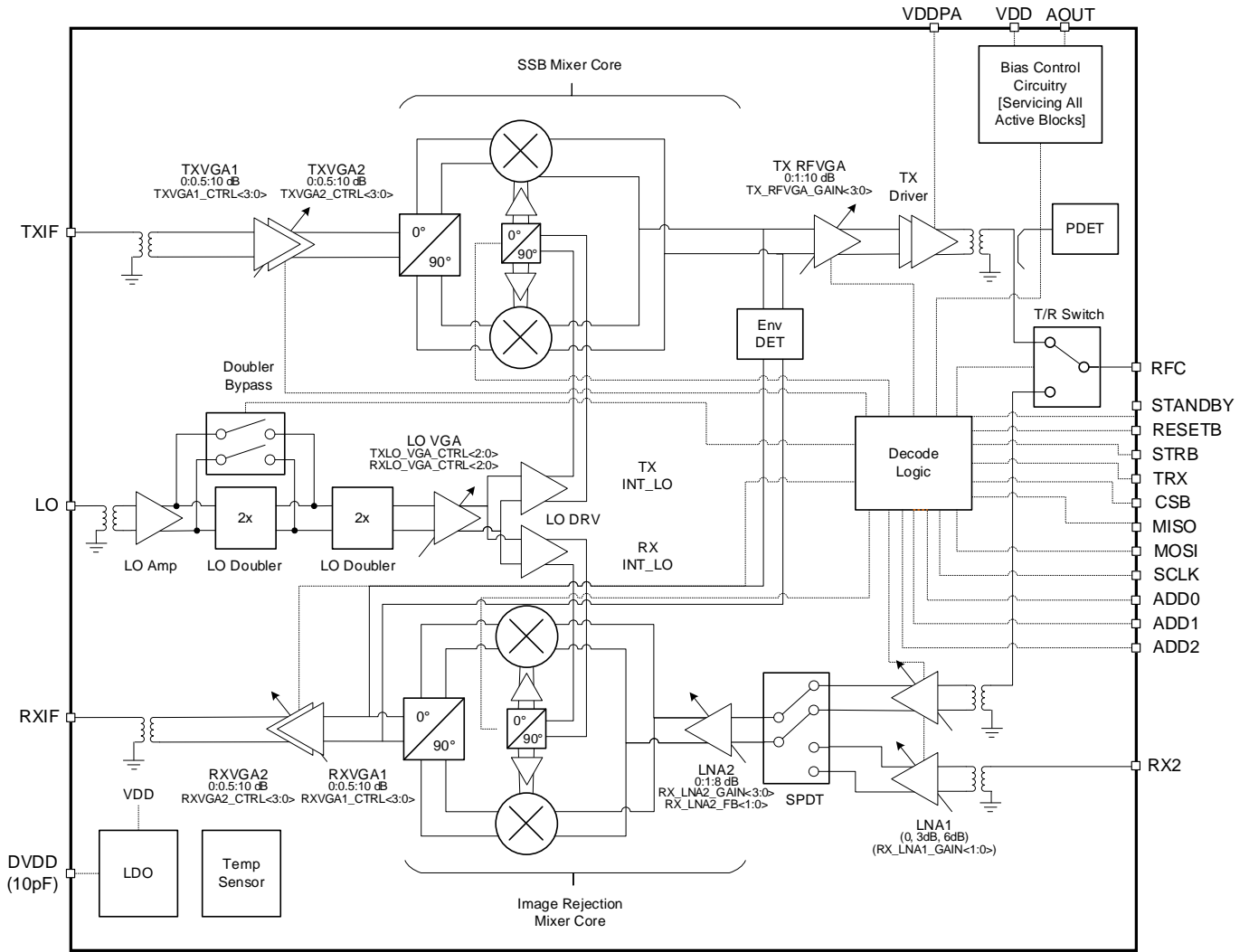


Figure 1. Block Diagram

Ordering Information

Part Number	Package Description	MSL Rating	Carrier Type	Temp. Range
RA81F5701GBX#BC0	4.0 x 4.5 mm, 49-BGA	3	Tray	-40°C to +95°C
RA81F5701GBX#HC0	4.0 x 4.5 mm, 49-BGA	3	Reel	-40°C to +95°C
RTKA81F5701000RU	F5701 24GHz to 30GHz Evaluation Board			

IMPORTANT NOTICE AND DISCLAIMER

RENESAS ELECTRONICS CORPORATION AND ITS SUBSIDIARIES (“RENESAS”) PROVIDES TECHNICAL SPECIFICATIONS AND RELIABILITY DATA (INCLUDING DATASHEETS), DESIGN RESOURCES (INCLUDING REFERENCE DESIGNS), APPLICATION OR OTHER DESIGN ADVICE, WEB TOOLS, SAFETY INFORMATION, AND OTHER RESOURCES “AS IS” AND WITH ALL FAULTS, AND DISCLAIMS ALL WARRANTIES, EXPRESS OR IMPLIED, INCLUDING, WITHOUT LIMITATION, ANY IMPLIED WARRANTIES OF MERCHANTABILITY, FITNESS FOR A PARTICULAR PURPOSE, OR NON-INFRINGEMENT OF THIRD-PARTY INTELLECTUAL PROPERTY RIGHTS.

These resources are intended for developers who are designing with Renesas products. You are solely responsible for (1) selecting the appropriate products for your application, (2) designing, validating, and testing your application, and (3) ensuring your application meets applicable standards, and any other safety, security, or other requirements. These resources are subject to change without notice. Renesas grants you permission to use these resources only to develop an application that uses Renesas products. Other reproduction or use of these resources is strictly prohibited. No license is granted to any other Renesas intellectual property or to any third-party intellectual property. Renesas disclaims responsibility for, and you will fully indemnify Renesas and its representatives against, any claims, damages, costs, losses, or liabilities arising from your use of these resources. Renesas' products are provided only subject to Renesas' Terms and Conditions of Sale or other applicable terms agreed to in writing. No use of any Renesas resources expands or otherwise alters any applicable warranties or warranty disclaimers for these products.

(Disclaimer Rev.1.01 Jan 2024)

Corporate Headquarters

TOYOSU FORESIA, 3-2-24 Toyosu,
Koto-ku, Tokyo 135-0061, Japan
www.renesas.com

Trademarks

Renesas and the Renesas logo are trademarks of Renesas Electronics Corporation. All trademarks and registered trademarks are the property of their respective owners.

Contact Information

For further information on a product, technology, the most up-to-date version of a document, or your nearest sales office, please visit www.renesas.com/contact-us/.