

RAA489800

Bidirectional Buck-Boost Voltage Regulator

The [RAA489800](#) is a bidirectional, buck-boost voltage regulator that provides buck-boost voltage regulation and protection features. The advanced Renesas R3™ Technology provides high light-load efficiency, fast transient response, and seamless DCM/CCM transitions.

The RAA489800 takes input power from a wide range of DC power sources up to 23V (such as conventional AC/DC adapters (ADP), USB PD ports, travel ADP) and safely converts it to a regulated voltage up to 21V. The RAA489800 can also convert a wide range DC power source connected at its output (system side) to a regulated voltage to its input (ADP side). This bidirectional buck-boost regulation feature makes the RAA489800's application very flexible. In addition to 4-switch buck-boost configuration, it can also support 2-switch Buck mode operation.

The RAA489800 includes various system operation functions such as the Forward mode enable pin, Reverse mode enable pin, programmable soft-start time, and adjustable forward and reverse V_{OUT} . It also has forward and reverse power-good indicators. The protection functionalities include OCP, OVP, UVP, and OTP.

The RAA489800 has serial communication through SMBus/I²C that allows programming of many critical parameters to deliver a customized solution. These programming parameters include, but are not limited to: output current limit, input current limit, and output voltage setting.

Features

- Bidirectional buck, boost, and buck-boost operation
- Configurable for 4-switch buck-boost or 2-switch buck operation
- Input voltage range: 3.8V to 23V (no dead zone)
- Output voltage: up to 21V
- Up to 1MHz switching frequency
- Pin programmable soft-start time
- LDO output for VDD and VDDP
- System FAULT status ALERT function
- Input/output internal discharge function
- Active switching for negative voltage transitions
- Pass Through mode in both directions
- Forward and Reverse mode enable pins
- OCP, OVP, UVP, and OTP protection
- Absolute overvoltage protection
- SMBus and auto-increment I²C compatible
- Pb-free (RoHS compliant)
- 32 Ld 4x4 TQFN package
- UL 2367, IEC 62368-1: File No. E520109

Applications

- Tablets, Ultrabooks, power banks, mobile devices, and USB-C

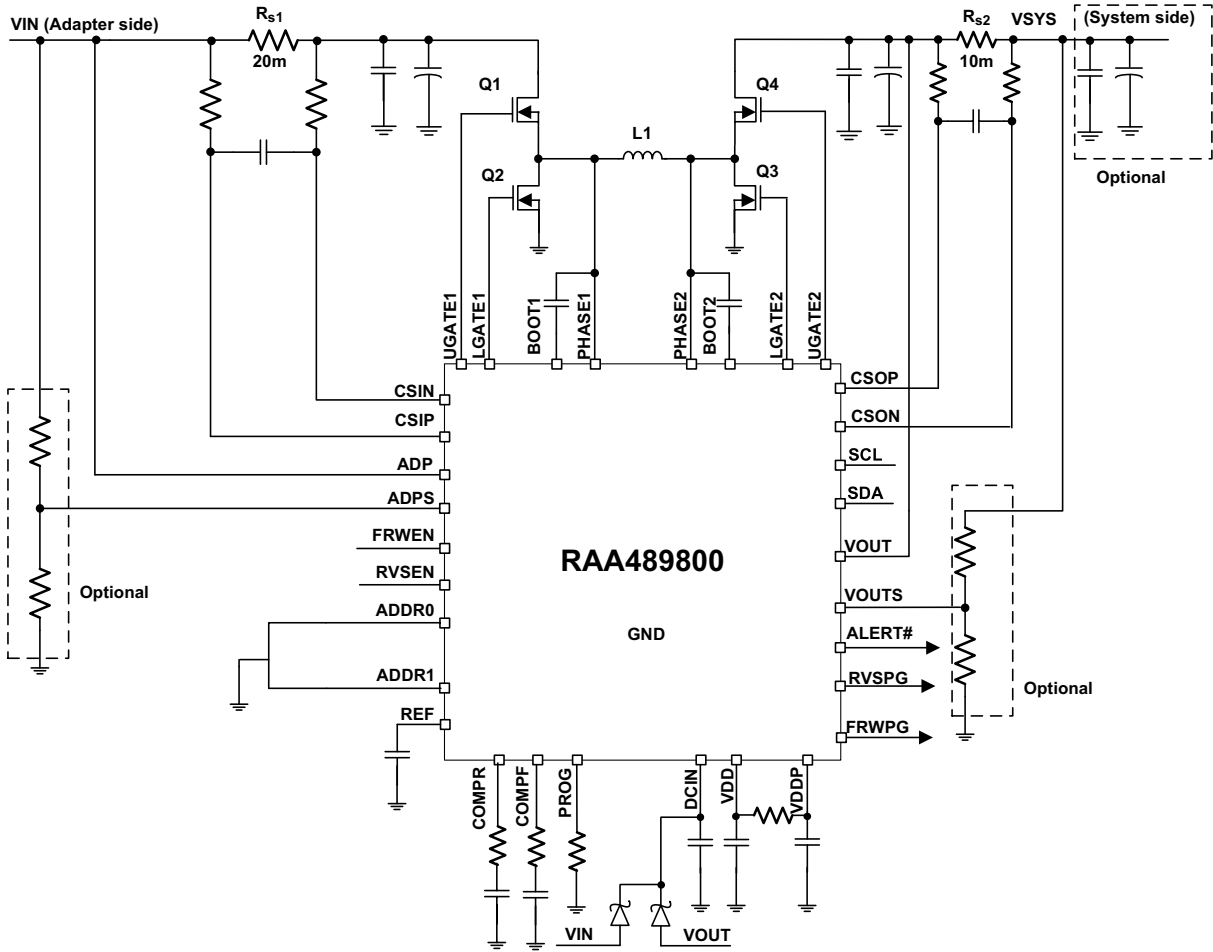


Figure 1. Typical Application Circuit in 4-Switch Buck-Boost Configuration

IMPORTANT NOTICE AND DISCLAIMER

RENESAS ELECTRONICS CORPORATION AND ITS SUBSIDIARIES (“RENESAS”) PROVIDES TECHNICAL SPECIFICATIONS AND RELIABILITY DATA (INCLUDING DATASHEETS), DESIGN RESOURCES (INCLUDING REFERENCE DESIGNS), APPLICATION OR OTHER DESIGN ADVICE, WEB TOOLS, SAFETY INFORMATION, AND OTHER RESOURCES “AS IS” AND WITH ALL FAULTS, AND DISCLAIMS ALL WARRANTIES, EXPRESS OR IMPLIED, INCLUDING, WITHOUT LIMITATION, ANY IMPLIED WARRANTIES OF MERCHANTABILITY, FITNESS FOR A PARTICULAR PURPOSE, OR NON-INFRINGEMENT OF THIRD-PARTY INTELLECTUAL PROPERTY RIGHTS.

These resources are intended for developers who are designing with Renesas products. You are solely responsible for (1) selecting the appropriate products for your application, (2) designing, validating, and testing your application, and (3) ensuring your application meets applicable standards, and any other safety, security, or other requirements. These resources are subject to change without notice. Renesas grants you permission to use these resources only to develop an application that uses Renesas products. Other reproduction or use of these resources is strictly prohibited. No license is granted to any other Renesas intellectual property or to any third-party intellectual property. Renesas disclaims responsibility for, and you will fully indemnify Renesas and its representatives against, any claims, damages, costs, losses, or liabilities arising from your use of these resources. Renesas' products are provided only subject to Renesas' Terms and Conditions of Sale or other applicable terms agreed to in writing. No use of any Renesas resources expands or otherwise alters any applicable warranties or warranty disclaimers for these products.

(Disclaimer Rev.1.01 Jan 2024)

Corporate Headquarters

TOYOSU FORESIA, 3-2-24 Toyosu,
Koto-ku, Tokyo 135-0061, Japan
www.renesas.com

Trademarks

Renesas and the Renesas logo are trademarks of Renesas Electronics Corporation. All trademarks and registered trademarks are the property of their respective owners.

Contact Information

For further information on a product, technology, the most up-to-date version of a document, or your nearest sales office, please visit www.renesas.com/contact-us/.