

[Upgrade to revision]

R20TS0403EJ0100

Rev.1.00

Feb. 16, 2019

QE for Camera[RZ] V1.1.0:

Development Assistance Tool for Camera,

QE for Display[RZ] V3.1.0: Development Assistance Tool for Display

Outline

We have updated the products in the title as follows:

- (1) QE for Camera[RZ] from V1.0.0 to V1.1.0.
- (2) QE for Display[RZ] from V3.0.0 to V3.1.0.

We have added support for the RZ/A2M group in the updated versions of the QEs listed above. QE for Camera[RZ] has also added a feature to allow users to adjust the timing settings easily on the GUI when connecting a MIPI camera and the MCU.

1. Products and Versions to Be Updated

- QE for Camera[RZ] V1.1.0
- QE for Display[RZ] V3.0.0 or earlier (including older versions of QE for Video Display Controller 5)
 - How to check version

From the [Help] menu of e² studio, select the [About e² studio - Installation details] menu → [Installed Software] tab to see the versions of the “Renesas QE for Video Display Controller 5”.

Note that QE for Camera[RZ] V1.0.0 and QE for Display[RZ] V3.0.0 are the same plug-in, which is installed as “Renesas QE for Video Display Controller 5 V3.0.0”.

See Figure 1 for details.

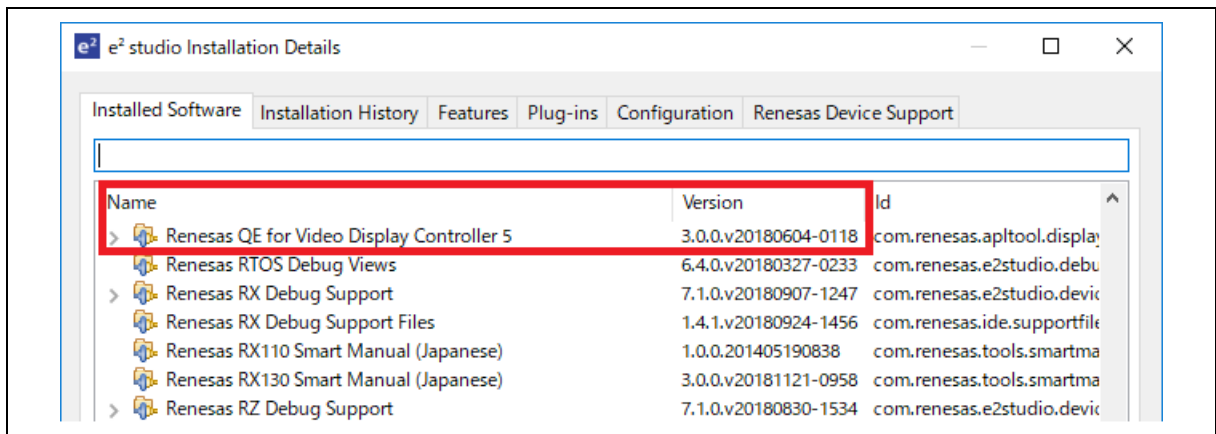


Figure 1 Checking version of old Renesas QE for Video Display Controller 5

Note that after update, the name of the software will be changed to “Renesas QE for Camera/Display[RZ]”. See Figure 3 in section 6 for details.

2. Main Features of Update

The main features of the update are described in the following sections. Refer to the release note for details. (Scheduled to be released on February 20th.)

<https://www.renesas.com/search/keyword-search.html#genre=document&q=r20ut4490>

2.1 New Feature

In QE for Camera[RZ] V1.1.0, you can adjust the timing settings easily in the Timing Adjustment(MIPI/VIN) tab on the GUI, making it easy to connect the MIPI Camera.

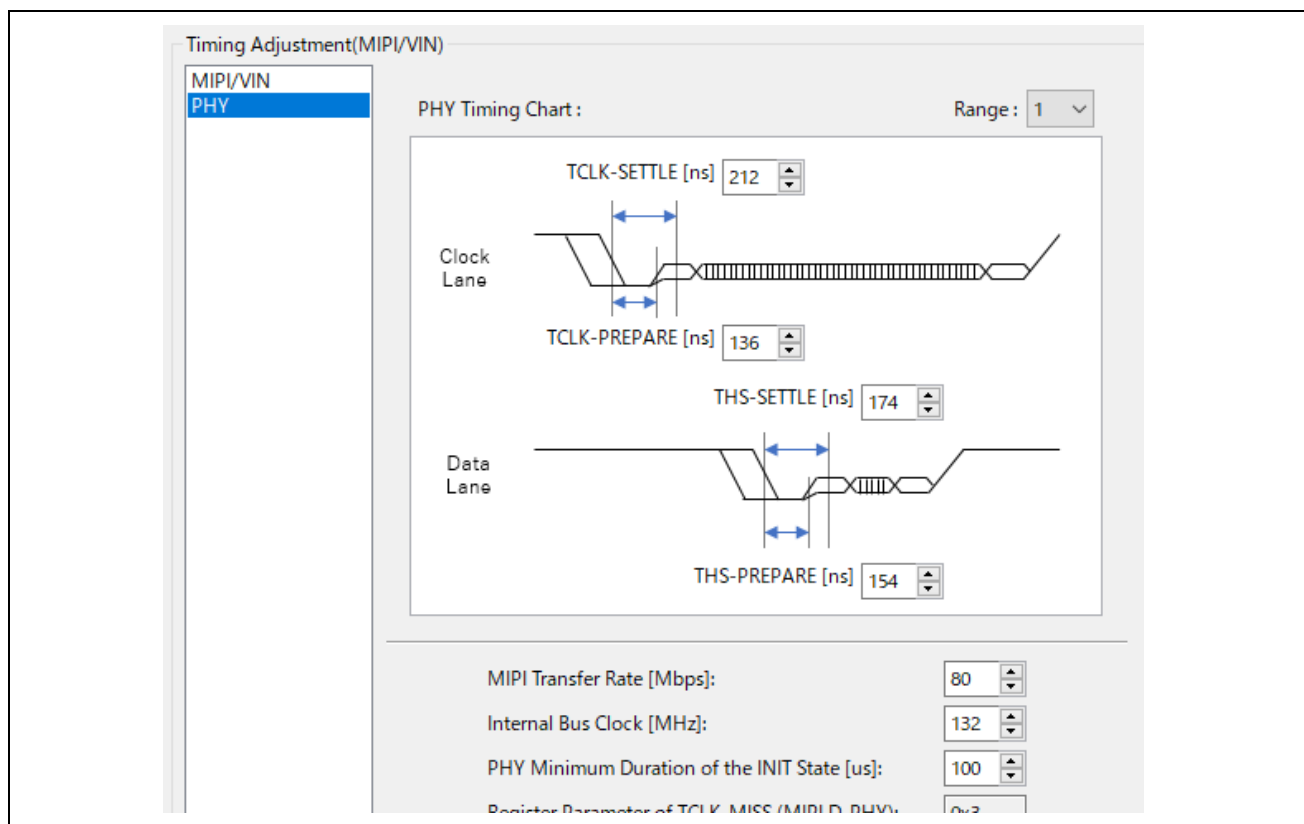


Figure 2 Example of Timing Adjustment (MIPI/VIN) tab

2.2 Addition of Supported MCUs

The following groups has been added to the supported MCUs by QE for Camera[RZ] and QE for Display[RZ].

RZ family: RZ/A2M group

For a list of the supported MCUs, see the “Target Devices” section from the following URLs.

- QE for Camera[RZ]
<https://www.renesas.com/qe-camera>
- QE for Display[RZ]
<https://www.renesas.com/qe-display>

3. Operating Environment

QE for Camera[RZ] V1.1.0 and QE for Display[RZ] V3.1.0: e² studio IDE V7.1.0 and later versions

For details, see the sections for QE for Camera[RZ] and QE for Display[RZ] under Solution Toolkit from the following URL.

<https://www.renesas.com/system-requirements>

4. Supporting Sample Program

Sample program that supports the RZ/A2M group is the Simple Applications Package V2.0.0 or later. Download the program from the URL below.

<https://www.renesas.com/search/keyword-search.html#genre=sampleprogram&q=r01an4494xx>

RZ/A2M group Simple Applications Package

For details about the product, see the URL below.

<https://www.renesas.com/products/software-tools/software-os-middleware-driver/software-package/rza2-software-development-kit-free-rtos.html>

5. How to Obtain the Product

The product is available free of charge.

QE for Camera[RZ] V1.1.0 and QE for Display[RZ] V3.1.0 are the same plug-in. Therefore, you can install both items by installing either one of the two.

Download the installer by using one of the following methods. The software would be installed in e² studio as “Renesas QE for Camera/Display[RZ] V3.1.0”.

- Downloading from the QE for Camera product information page:

Download “QE for Camera V1.1.0: Development Assistance Tool for Camera” from the download tab found at the URL below.

(Scheduled to be released on February 20.)

<https://www.renesas.com/qe-camera>

- Downloading from the QE for Display product information page:

Download “QE for Display V1.2.0: Development Assistance Tool for Display” from the download tab found at the URL below.

(Scheduled to be released on February 20.)

<https://www.renesas.com/qe-display>

6. Updating Your Product

Install the downloaded installer in the following steps.

- (1) Start the e² studio.
- (2) From the [Help] menu → select [Install New Software...] menu to open the [Install] dialog box.
- (3) Click on the [Add...] button to open the [Add Repository] dialog box.
- (4) Click the [Archive...] button, select the file to install (zip file) in the file selection dialog box, and click the [Open (O)] button.
- (5) In the [Add Repository] dialog box, click on the [OK] button.
- (6) Expand the [Renesas QE] menu item displayed in the [Install] dialog box, select the [Renesas QE for Camera/Display[RZ]] check box, and click the [Next >] button.
- (7) Check if the selected item is correct and click the [Next >] button.
- (8) After reviewing the license, select [I accept the terms of license agreements] radio button and click on the [Finish] button.
- (9) If the dialog box for selecting the trusted certificate appears, check the displayed certificate. Click the [OK] button to continue the installation.
- (10) Restart the e² studio according to the instructions on the screen.
- (11) Start the product from the [Renesas Views] → [Renesas QE] menu of e² studio.

For details about how to use this product, see the QE sections from the [Help] menu of e² studio.

Note: If an earlier version is already installed, it will be overwritten when installing a new version.

■ How to check version after update:

From the [Help] menu of e² studio, select [About e² studio - Installation details] menu → [Installed Software] tab to see the updated version. The name of the software would be changed from “Renesas QE for Video Display Controller 5” to “Renesas QE for Camera/Display[RZ]”. See Figure 3 for details.

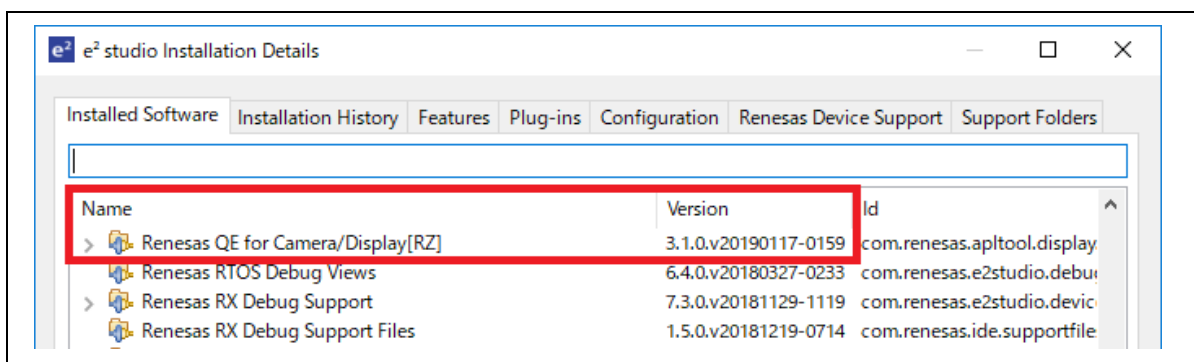


Figure 3 Check version of Renesas QE for Camera/Display[RZ]

Revision History

Rev.	Date	Description	
		Page	Summary
1.00	Feb. 16, 2019	-	First edition issued

TOYOSU FORESIA, 3-2-24 Toyosu, Koto-ku, Tokyo 135-0061 Japan
 Renesas Electronics Corporation

■Inquiry

<https://www.renesas.com/contact/>

Renesas Electronics has used reasonable care in preparing the information included in this document, but Renesas Electronics does not warrant that such information is error free. Renesas Electronics assumes no liability whatsoever for any damages incurred by you resulting from errors in or omissions from the information included herein.

The past news contents have been based on information at the time of publication. Now changed or invalid information may be included.

The URLs in the Tool News also may be subject to change or become invalid without prior notice.

All trademarks and registered trademarks are the property of their respective owners.