

Precision Amplifiers

Radiated Interference in Audio Circuits

AN1561
Rev.0.00
Apr 26, 2010

Abstract

The proliferation of wireless transceivers in portable applications has created a need for increased attention to an electronic circuits' ability to operate in the vicinity of high frequency radio transmitters. This Application Note will investigate an application using an op amp for the voice band audio in close proximity to a high frequency source. In gigahertz radio systems, the close proximity of the radio antenna to low frequency amplifier sub-assemblies, can result in the demodulation of the radio signal causing a disruptive interference in the receiving circuit. This Application note presents a simple method of producing a controllable test platform suitable for testing and characterizing Radio Frequency Interference (RFI) in op amp audio circuits. A comparison between Intersil's ISL28291 (bipolar input) and EL5220 (MOS input) dual precision amplifiers' susceptibility to RF interference is investigated using this test platform. Research findings related to this topic will also be discussed with new information suggesting, in today's wireless hand held products, that radiated interference as well as conductive interference needs to be considered.

Introduction

Several studies, experiments and calculations have shown the propensity for operational amplifiers to demodulate RF signals principally at the emitter-base junction of the input differential pair [1, 2, 3] [8]. Demodulation occurs even though the amplifiers bandwidth is much lower than the RF's out-of-band signal. As long as the RF voltage at the junction is not significantly greater than 26mV, the rectified offset voltage follows the square-law relationship and is proportional to the absorbed power. Under these conditions, the audio interference will follow the envelope of the RF signal.

Our study of this phenomenon began when a customer reported their Bluetooth signal was being demodulated in the amplifier and showing up as audio noise on the output audio amplifier. The customer evaluated three opamps in their system and reported that the ISL28291 was the worst of the three, National's LMV722 was in the middle, and the EL5220 was the best. Even through the EL5220 was rated the best, all three parts exhibited the demodulated signal to some degree at their outputs.

Although the noise caused by the Bluetooth transmitter was readily observed at the amplifier output of the ISL28291, (the EL5220 was clean) the frequency hopping and complex encoded modulation of the Bluetooth signal made it impossible to get consistent results. A test platform to quantitatively measure a circuit's susceptibility to RF signals was constructed using standard equipment found in most high frequency analog labs. This platform is capable of generating a swept carrier frequency for 100kHz to

6GHz with an external modulated signal. The platform uses an HP8753D network analyzer and a simple function generator to modulate the signal [4]. The swept modulated carrier frequency was connected to a simple antenna as shown in Figure 1. The output power of the carrier frequency was adjusted to 0dbm to match the standard Bluetooth signal. Consistent readings and, even more importantly, the ability to sweep the carrier frequency from 100kHz to 6GHz was now possible. This allowed the ability to investigate the sensitivity of the circuit as a function of carrier frequency and to focus on a specific frequency to study the demodulated signal.

This Application Note will:

1. Define the difference between conductive and radiated interference for this discussion.
2. Present new data suggesting that radiated interference needs to be considered for portable wireless applications where the antenna is in close proximity to audio circuits.
3. Present lab results comparing the ISL28291 and the EL5220.
4. Draw conclusions based on this study and other papers to give suggestions for applications and design engineers for operating in the vicinity of high frequency transmitters.

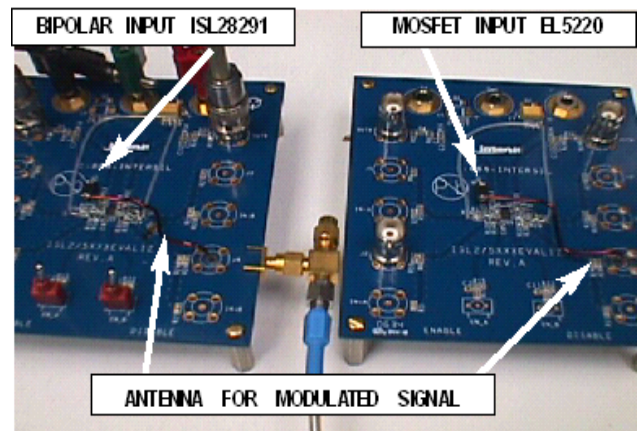


FIGURE 1. MODIFIED EVALUATION BOARD TO SIMULATE CUSTOMERS CIRCUIT

Conductive And Radiated Interference

Conductive interference is defined as the modulated RF signal collected by cables, PCB traces, and external components, and is fed directly into the input pins of the audio amplifier. Radiated interference is defined as the combination of conducted interference plus the interference collected by the package lead frame and bond wires and fed directly into all pins of the audio amplifier.

Previous studies have focused on interference that is collected by cables and PCB traces while interference collected by package lead-frame and bond wires was considered negligible [5] and therefore not investigated. As a result, these studies coupled the modulated RF signal directly into the inputs of the amplifier. This method did not account for the radiated effects found in real world customer environments. Using the test platform described above, this application note investigates the additional RF interference radiated through the air and compares the results to previous work published.

Previous Published Conducted Interference Analysis Results

Several papers have been written about conductive interference and the effects on RF demodulation by the op amp [1, 5, 6, 7]. Once again, these experiments injected the RF modulated signal directly into the amplifiers input pins. Experimental results are indicated in the following:

1. RFI effects are more pronounced when RF power is injected into either of the two op amp signal input terminals 1 (The experimental procedure involves injecting RF power directly into one op amp terminal and monitoring all the other op amp terminal voltages. After injecting RF power into all the op amp terminals (one at a time), it was determined that the most susceptible terminals were those for the inverting and non-inverting input, the offset inputs, and the output terminal, in that order) [1].
2. Experimental results showed that increasing the values of the input and feedback resistors improves the RFI immunity of the inverting op amp circuit due to the increase in series resistance and parasitic capacitances [6].
3. Experimental results showed that parasitic capacitances C_{1N} (between the inverting and non-inverting inputs and CR1 (shunted across R1) cause the inverting op amp circuit to have better RFI immunity than the non-inverting op amp circuit [7].
4. MOS transistors can be considered less susceptible than bipolar transistors, since RFI induces in a bipolar transistor a variation of collector current higher than that induced in the drain current of a MOS transistor. As a matter of fact, field-effect transistors are inherently less susceptible to RFI than bipolar transistors because of their smoother nonlinearity [5]. Also, most audio band operational amplifiers are made in large geometry higher voltage CMOS processes that have much lower RF bandwidth than similar voltage bipolar processes.

Interference Models

Figure 2 shows a concept model for the RF interference test set. The HP8753D network analyzer and modulating generator produce an AM modulated wave that is radiated on to the circuit under test. This model illustrates how the RF carrier is stripped off by the circuit under test leaving behind the low frequency signal.

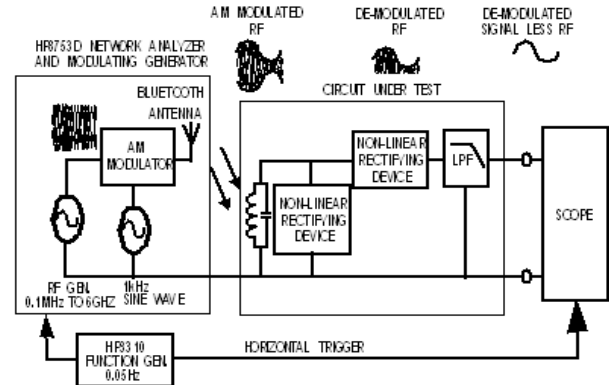


FIGURE 2. CONCEPT MODEL FOR THE RFI

Figure 3 is a behavioral model and equivalent circuit for the IC in close proximity of a high frequency source. Antenna theory states that a trace length less than $\frac{1}{4}$ wavelength of the carrier frequency makes an efficient antenna. Thus, for 1GHz carrier frequencies - PCB traces up to 7.5cm (2.95 in.) become efficient antenna. External components (i.e. caps, resistors) on the evaluation board are also receiving antennas for RF frequencies.

The PCB interconnect close to the amplifier (between the feedback resistors and the package) as well as the amplifiers pins and bond wires start to become efficient antennas.

Without the series resistance of the PCB traces and feedback resistors to form the low pass filter, the RF signal is picked up on the lead-frame and conducted directly into the emitter-base junction of the input differential pair. This results in the demodulated signal appearing at the amplifier output.

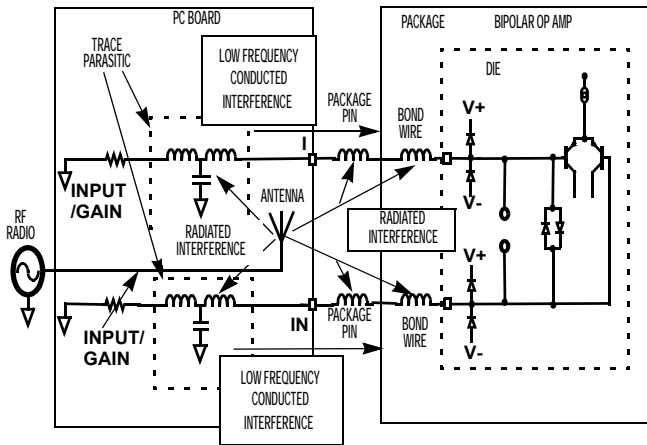


FIGURE 3. BEHAVIORAL MODEL FOR EQUIVALENT CIRCUIT

Comparison Between the ISL28291 (Bipolar) and the EL5220 (M) Experiment

The following investigation compares the radiated interference immunity of the ISL28291 and the EL5220.

Figure 1 shows the two customer evaluation boards that were modified to match the customer's single-ended to differential circuit (Figure 4). Care was taken during the modification of the two boards to make them as identical as possible. One board has the ISL29291 and the other the EL5220. Note: Placement of our antenna was much closer than the customer's test. This was done to achieve the best signal for evaluation. Demodulation did occur with the antenna as far away as 2 inches with about only a 50% drop in measured signal amplitude.

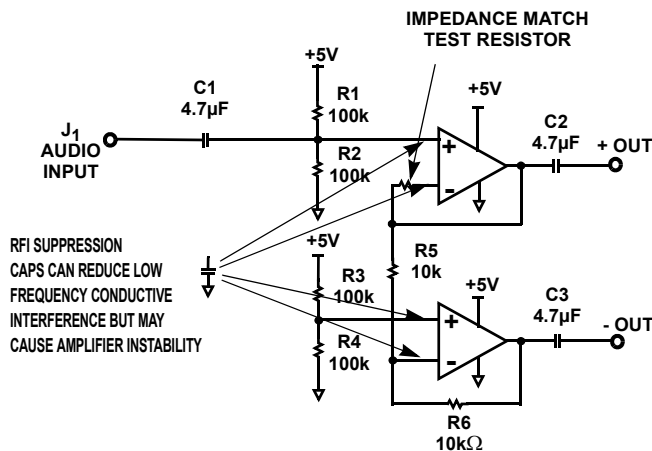


FIGURE 4. CUSTOMERS APPLICATION CIRCUIT

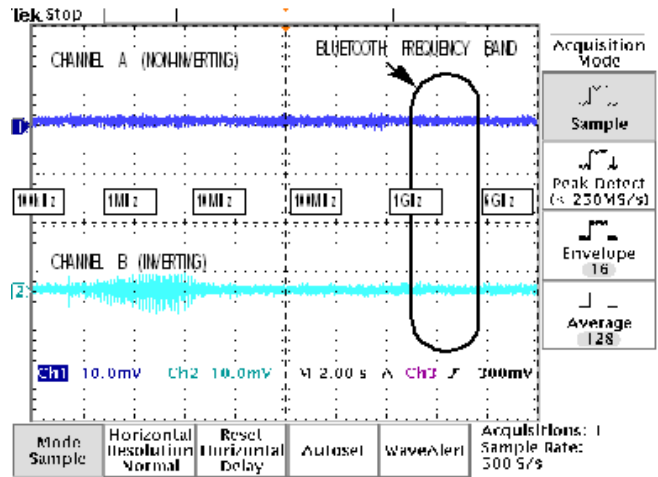


FIGURE 5. EL5220 MOSFET INPUT OPAMP SWEEP J₁ GND

Figure 5 shows the result of a frequency sweep from 100kHz to 6GHz of the EL5220. Across the frequency sweep, the output of Channel "A" (unity gain configuration) shows a total peak-to-peak voltage of less than 3mV_{p-p} with J₁ input grounded (Figure 4). The lower trace shows the output of channel "B" (inverting gain of one) with a maximum of 10mV_{p-p} in the frequency band of 500kHz to ~5MHz. From 5MHz to 6GHz the total peak-to-peak voltage <3mV.

From Figure 5, it is obvious why the EL5220 did not have a problem with the Bluetooth application.

Figure 6 shows the result of a frequency sweep from 100kHz to 6GHz of the ISL28291. Across the frequency sweep, the output of Channel "A" (unity gain configuration) shows an interference peak of 25mV_{p-p} at ~2GHz with J₁ input grounded (Figure 4). The lower trace shows the output of Channel "B" (inverting gain of one) with a maximum of 30mV_{p-p} in the frequency band of 500kHz to ~30MHz. From 30MHz to 6GHz there is a 5mV_{p-p} interference peak at ~800MHz and a series of peaks of ~25mV_{p-p} over the 1.8 to 3GHz range.

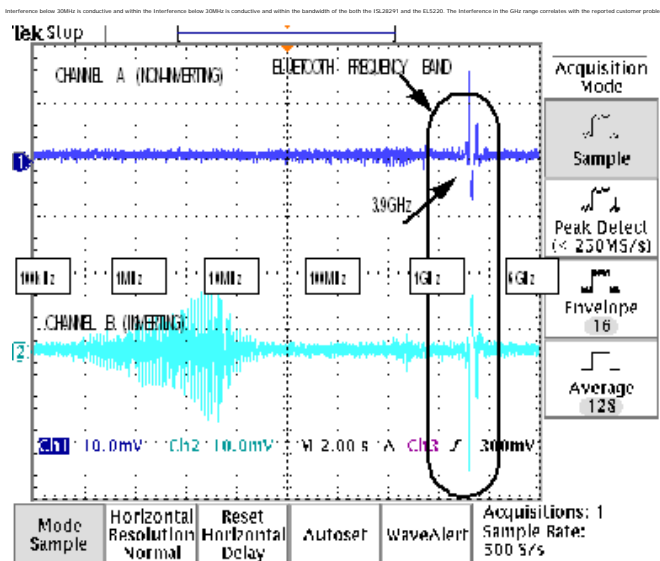


FIGURE 6. BIPOLAR INPUT OPAMP SWEEP J₁ GND

Interference below 30MHz is conductive and within the bandwidth of both the ISL28291 and the EL5220. The interference in the GHz range correlates with the reported customer problem.

From Figure 6, it is obvious why the ISL28291 has a problem with the Bluetooth application.

Figure 7 shows the interference on channel A and channel B outputs with a fixed carrier frequency of 3.9GHz and a 1kHz 100% modulation. 3.9GHz was chosen because there is an interference peak at this frequency. The signals shown are the 1kHz demodulated signal. The non-symmetry in the 1kHz signal is from our lab equipment generating the modulated signal and not the amplifiers.

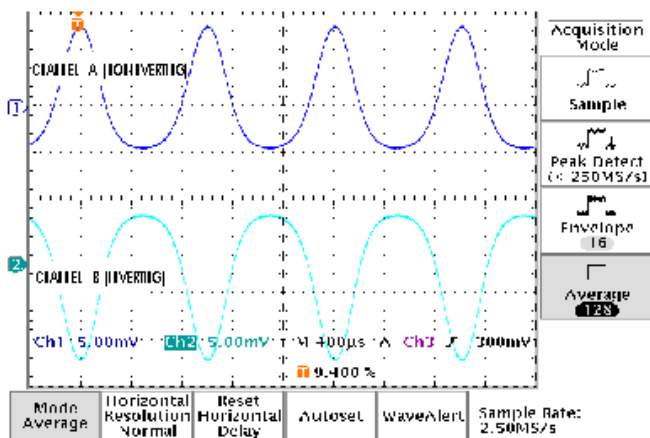


FIGURE 7. INTERFERENCE WITH FIXED CARRIER FREQUENCY

Radiated Interference Investigation Results

Previous studies determined that higher value feedback resistors, the addition of RFI caps and the use of inherently more linear MOSFET input devices reduces RFI. These improvements techniques are compared using the radiated test platform.

Figure 8 shows an improved test setup to investigate radiated interference. The antenna is terminated in 50Ω and the end of the antenna loop is bent to have a width approximately equal to the width of the IC's package.

Experimental results, using the setup in Figure 8 and a swept frequency measurement from 100kHz to 6GHz, showed concentrations of interference in the 1.4GHz to 2.8GHz range and a second in the 3.8GHz to 5GHz range (see Figure 10 on page 5).



FIGURE 8. IMPROVED ANTENNA DESIGN TO EVALUATE RADIATED INTERFERENCE

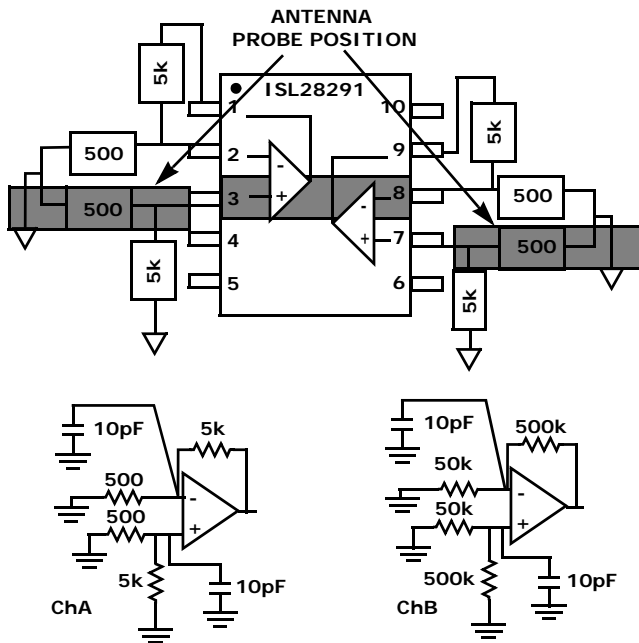


FIGURE 9. PLACEMENT OF ANTENNA OVER DIE AND OPAMP SCHEMATIC FOR CHANNELS A AND B

Figure 9 shows the placement of the antenna and layout symmetry of the external components. Both amplifiers were configured for differential gains of 10, so that the impedance at both inputs were identical. Channel "A" has 5k/500Ω resistors and Channel "B" has 500k/50k, two orders of magnitude higher value resistors.

The following tests were performed with a single carrier frequency within the above mentioned concentrations of interference. The results are as follows:

- Higher feedback resistor values vs lower feedback resistor values:** Placing the antenna directly over the higher value resistors resulted in a lower level of interference than when placed over the lower value resistors. The higher the frequency the lower the level of interference. This observation is in agreement with the results reported by Ghadamabadi [6]. Placing the antenna over the IC package resulted in minimal interference for both sets of resistors.
- Adding RFI capacitors:** Placing the antenna directly over the higher value resistors resulted in lower level of interference than when placed over the lower value resistors. The higher the frequency the lower the level of interference. This observation is in agreement with the results reported by Ghadamabadi [7]. However, placing the antenna directly over the IC package resulted in much higher levels of interference at the outputs of both amplifiers, regardless of resistor values, than observed when the antenna was placed over the resistors.

- MOSFET input amplifiers are less susceptible than bipolar:** Placing the antenna directly over the die or resistors showed the EL5220 to have much less interference than the ISL28291. This observation is in agreement with the results reported by Fiori [5].

The increase in interference after adding the RFI capacitors was not reported in prior studies, because it was considered negligible [5]. In the authors opinion, in Bluetooth applications where the antenna is in close proximity to a sensitive audio circuit, the effect of radiated interference should not be ignored. The radiated RF appears all over the PCB and is picked up on component leads, PCB traces and IC lead-frames/bondwires. The results of these findings may not apply to all circuits but serve as a reminder that additional awareness of the antenna location and radiation pattern needs to be considered in the final design.

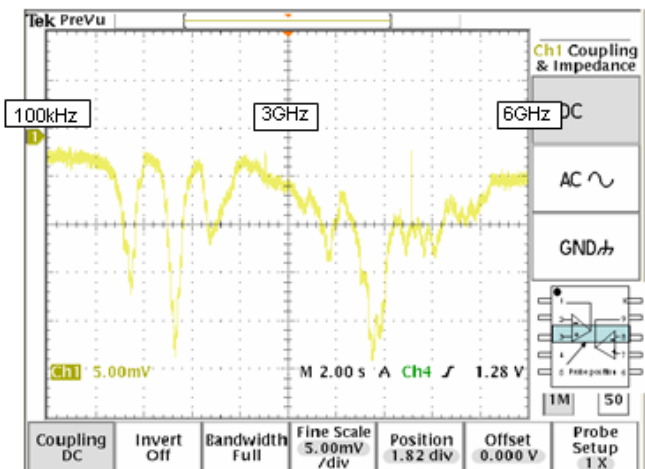


FIGURE 10. CARRIER FREQUENCY SWEEP FROM 100KHZ TO 6GHZ, BOARD IN FIGURE 8 AND SCHEMATIC FIGURE 9

Conclusions

The test platform presented in this paper is an effective tool for generating radiated interference and measuring RFI. Previous studies were focused primarily on conductive interference and the demodulation of the RF signal in the emitter-base junction. From these studies basic rules of thumb were established to mitigate the effects of RFI in the receiving circuit. Among the many preventative measures a designer could take to reduce RFI, this investigation looked at changing feedback resistors [6], adding RFI capacitors [7], and bipolar vs. MOSFET input amplifiers [5] when exposed to a radiated interference source. Another precaution / best practice, although not proven in this study, would be to specify an amplifier (preferably MOS input) with just enough bandwidth for the application.

The main result of this study showed the use of RFI capacitors could result in an increase in interference depending upon the placement of the antenna. It is therefore recommended that the system designer become aware of the antenna placement before using RFI caps to increase the immunity of their design. Other results of this study are in agreement with published results, showing that higher value feedback resistors and MOSFET input amplifiers are effective techniques to improve a circuits' immunity to RFI.

References

- [1] Joseph G. Tront, James J. Whalen, Curtis E. Larson, James M. Roe "Computer-aided Analysis of RFI Effects in Operational Amplifiers. IEEE Transaction on Electromagnetic Compatibility, Vol.EMC-21, NO.4, November 1979
- [2] Muhammad Taher Abuelma'atti "Radio interference by Demodulation Mechanisms Present in Bipolar Operational Amplifiers IEEE Transactions on Electromagnetic Compatibility, Vol 37. NO.2, May 1995.
- [3] Robert E. Richardson, Jr. Modeling of Low-Level Rectification RFI in Bipolar Circuitry. IEEE Transactions on electromagnetic Compatibility, Vol.EMC-21, NO4, November 1979.
- [4] Application Note AN1299 "Measuring RF Interference in Audio Circuits". Authors Don LaFontaine and Bob Pospisil. www.intersil.com/data/an/AN1299.pdf
- [5] Franco Fiori Compliance Engineering 2000 November, December issue "Integrated Circuit Susceptibility to Conducted RF Interference" www.ce-mag.com/archive/2000/novdec/fiori.html
- [6] Hamid Ghadamabadi, James J. Whalen, R. Coslick, C. Hung, T. Johnson, W. Sitzman and J. Stevens Department of Electrical and Computer Engineering. "Comparison of Demodulation RFI in Inverting Operation Amplifier circuits of the same gain with different input and feedback resistors values".www. ieeexplore.ieee.org/iel2/161/6451/00252748.pdf?arnumber=252748
- [7] Hamid Ghadamabadi, James J. Whalen Department of Electrical and Computer Engineering. "Parasitic capacitances can cause demodulation RFI to differ in inverting and non-inverting operation amplifiers circuits" IEEE 1991 Electromagnetic Compatibility, 1991, Symposium record.
- [8] Robert E. Richardson, Vincent G. Puglielli and Robert A. Amadori. "Microwave Interference Effects in Bipolar Transistors" IEEE Transaction on Electromagnetic Compatibility, Vol. .EMC-17, NO.4, November 1975

Notice

1. Descriptions of circuits, software and other related information in this document are provided only to illustrate the operation of semiconductor products and application examples. You are fully responsible for the incorporation or any other use of the circuits, software, and information in the design of your product or system. Renesas Electronics disclaims any and all liability for any losses and damages incurred by you or third parties arising from the use of these circuits, software, or information.
2. Renesas Electronics hereby expressly disclaims any warranties against and liability for infringement or any other claims involving patents, copyrights, or other intellectual property rights of third parties, by or arising from the use of Renesas Electronics products or technical information described in this document, including but not limited to, the product data, drawings, charts, programs, algorithms, and application examples.
3. No license, express, implied or otherwise, is granted hereby under any patents, copyrights or other intellectual property rights of Renesas Electronics or others.
4. You shall not alter, modify, copy, or reverse engineer any Renesas Electronics product, whether in whole or in part. Renesas Electronics disclaims any and all liability for any losses or damages incurred by you or third parties arising from such alteration, modification, copying or reverse engineering.
5. Renesas Electronics products are classified according to the following two quality grades: "Standard" and "High Quality". The intended applications for each Renesas Electronics product depends on the product's quality grade, as indicated below.
"Standard": Computers; office equipment; communications equipment; test and measurement equipment; audio and visual equipment; home electronic appliances; machine tools; personal electronic equipment; industrial robots; etc.
"High Quality": Transportation equipment (automobiles, trains, ships, etc.); traffic control (traffic lights); large-scale communication equipment; key financial terminal systems; safety control equipment; etc.
Unless expressly designated as a high reliability product or a product for harsh environments in a Renesas Electronics data sheet or other Renesas Electronics document, Renesas Electronics products are not intended or authorized for use in products or systems that may pose a direct threat to human life or bodily injury (artificial life support devices or systems; surgical implantations; etc.), or may cause serious property damage (space system; undersea repeaters; nuclear power control systems; aircraft control systems; key plant systems; military equipment; etc.). Renesas Electronics disclaims any and all liability for any damages or losses incurred by you or any third parties arising from the use of any Renesas Electronics product that is inconsistent with any Renesas Electronics data sheet, user's manual or other Renesas Electronics document.
6. When using Renesas Electronics products, refer to the latest product information (data sheets, user's manuals, application notes, "General Notes for Handling and Using Semiconductor Devices" in the reliability handbook, etc.), and ensure that usage conditions are within the ranges specified by Renesas Electronics with respect to maximum ratings, operating power supply voltage range, heat dissipation characteristics, installation, etc. Renesas Electronics disclaims any and all liability for any malfunctions, failure or accident arising out of the use of Renesas Electronics products outside of such specified ranges.
7. Although Renesas Electronics endeavors to improve the quality and reliability of Renesas Electronics products, semiconductor products have specific characteristics, such as the occurrence of failure at a certain rate and malfunctions under certain use conditions. Unless designated as a high reliability product or a product for harsh environments in a Renesas Electronics data sheet or other Renesas Electronics document, Renesas Electronics products are not subject to radiation resistance design. You are responsible for implementing safety measures to guard against the possibility of bodily injury, injury or damage caused by fire, and/or danger to the public in the event of a failure or malfunction of Renesas Electronics products, such as safety design for hardware and software, including but not limited to redundancy, fire control and malfunction prevention, appropriate treatment for aging degradation or any other appropriate measures. Because the evaluation of microcomputer software alone is very difficult and impractical, you are responsible for evaluating the safety of the final products or systems manufactured by you.
8. Please contact a Renesas Electronics sales office for details as to environmental matters such as the environmental compatibility of each Renesas Electronics product. You are responsible for carefully and sufficiently investigating applicable laws and regulations that regulate the inclusion or use of controlled substances, including without limitation, the EU RoHS Directive, and using Renesas Electronics products in compliance with all these applicable laws and regulations. Renesas Electronics disclaims any and all liability for damages or losses occurring as a result of your noncompliance with applicable laws and regulations.
9. Renesas Electronics products and technologies shall not be used for or incorporated into any products or systems whose manufacture, use, or sale is prohibited under any applicable domestic or foreign laws or regulations. You shall comply with any applicable export control laws and regulations promulgated and administered by the governments of any countries asserting jurisdiction over the parties or transactions.
10. It is the responsibility of the buyer or distributor of Renesas Electronics products, or any other party who distributes, disposes of, or otherwise sells or transfers the product to a third party, to notify such third party in advance of the contents and conditions set forth in this document.
11. This document shall not be reprinted, reproduced or duplicated in any form, in whole or in part, without prior written consent of Renesas Electronics.
12. Please contact a Renesas Electronics sales office if you have any questions regarding the information contained in this document or Renesas Electronics products.
(Note 1) "Renesas Electronics" as used in this document means Renesas Electronics Corporation and also includes its directly or indirectly controlled subsidiaries.
(Note 2) "Renesas Electronics product(s)" means any product developed or manufactured by or for Renesas Electronics.

(Rev.4.0-1 November 2017)



SALES OFFICES

Renesas Electronics Corporation

<http://www.renesas.com>

Refer to "<http://www.renesas.com/>" for the latest and detailed information.

Renesas Electronics America Inc.
1001 Murphy Ranch Road, Milpitas, CA 95035, U.S.A.
Tel: +1-408-432-8888, Fax: +1-408-434-5351

Renesas Electronics Canada Limited
9251 Yonge Street, Suite 8309 Richmond Hill, Ontario Canada L4C 9T3
Tel: +1-905-237-2004

Renesas Electronics Europe Limited
Dukes Meadow, Millboard Road, Bourne End, Buckinghamshire, SL8 5FH, U.K
Tel: +44-1628-651-700, Fax: +44-1628-651-804

Renesas Electronics Europe GmbH
Arcadiastrasse 10, 40472 Düsseldorf, Germany
Tel: +49-211-6503-0, Fax: +49-211-6503-1327

Renesas Electronics (China) Co., Ltd.
Room 1709 Quantum Plaza, No.27 ZhichunLu, Haidian District, Beijing, 100191 P. R. China
Tel: +86-10-8235-1155, Fax: +86-10-8235-7679

Renesas Electronics (Shanghai) Co., Ltd.
Unit 301, Tower A, Central Towers, 555 Langao Road, Putuo District, Shanghai, 200333 P. R. China
Tel: +86-21-2226-0888, Fax: +86-21-2226-0999

Renesas Electronics Hong Kong Limited
Unit 1601-1611, 16/F., Tower 2, Grand Century Place, 193 Prince Edward Road West, Mongkok, Kowloon, Hong Kong
Tel: +852-2265-6688, Fax: +852-2886-9022

Renesas Electronics Taiwan Co., Ltd.
13F, No. 363, Fu Shing North Road, Taipei 10543, Taiwan
Tel: +886-2-8175-9600, Fax: +886-2-8175-9670

Renesas Electronics Singapore Pte. Ltd.
80 Bendemeer Road, Unit #06-02 Hyflux Innovation Centre, Singapore 339949
Tel: +65-6213-0200, Fax: +65-6213-0300

Renesas Electronics Malaysia Sdn.Bhd.
Unit 1207, Block B, Menara Amcorp, Amcorp Trade Centre, No. 18, Jln Persiaran Barat, 46050 Petaling Jaya, Selangor Darul Ehsan, Malaysia
Tel: +60-3-7955-9390, Fax: +60-3-7955-9510

Renesas Electronics India Pvt. Ltd.
No.777C, 100 Feet Road, HAL 2nd Stage, Indiranagar, Bangalore 560 038, India
Tel: +91-80-67208700, Fax: +91-80-67208777

Renesas Electronics Korea Co., Ltd.
17F, KAMCO Yangjae Tower, 262, Gangnam-daero, Gangnam-gu, Seoul, 06265 Korea
Tel: +82-2-558-3737, Fax: +82-2-558-5338