

Introduction

Level Shifters are often used when designing in a mixed supply voltage environment. GreenPAK IC's incorporate a separate configuration for inputs to accommodate some level shifting, namely, the Low Voltage Digital Input (LVDI). It works well, but sometimes a higher frequency of operation is desired from the input stage.

This application note details a High speed level shifter external circuit that is edge triggered.

Circuit example

The LVDI falling edge propagation delay time is typically 700ns, giving a frequency limit of approx. 1.5MHz. Leaving margin for good signal integrity and stable delays, the practical limit is slightly lower than that. For 1MHz or lower, LVDI is simple to use and low power. Higher frequencies require a higher speed level shifter, as follows.

This high speed level shifter circuit consists of an external differentiator along with Digital input with Schmitt trigger (DIST) inside the GreenPAK IC (See Fig. 1 and Fig.2).

If the voltage on Digital input doesn't change, then the voltage on differentiator output is set by the voltage divider from resistors R1 and R2. The R1, R2 ratio is set to the middle of the hysteresis range of the DIST, and represents the steady state value. With a signal edge applied to Digital input, the resulting DIST waveform appears as a voltage spike which then switches the DIST. Because of hysteresis, DIST output remains in the corresponding logic state while the input returns to steady state value. When the signal edge returns back to the opposite polarity, then the opposite differentiated spike will in turn set the DIST logic level. It is necessary to ensure the differentiator output levels will exceed the DIST input thresholds with margin. Characterization data for voltage range of 3.0V to 3.6V and -20C to +85C temperature range is shown in Table 1.

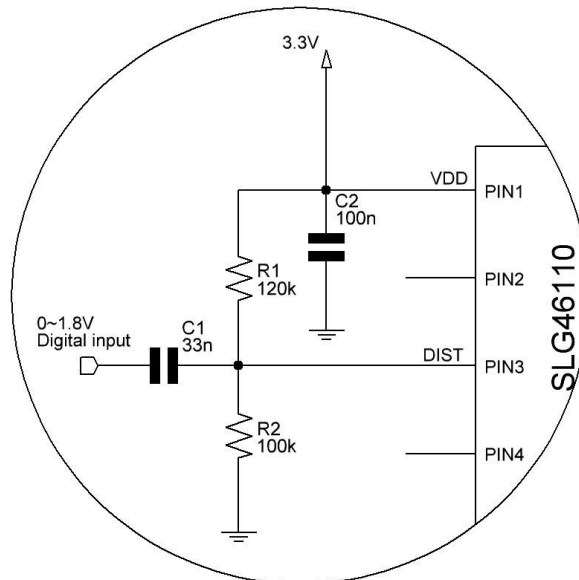


Figure 1. Fast Level Shifter schematic

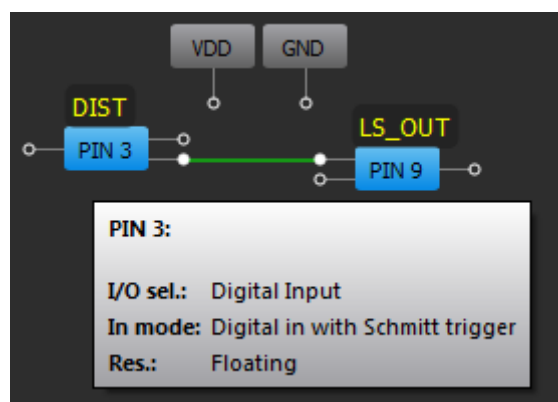


Figure 2. Fast Level Shifter Design

VDD[V]	3.0	3.3	3.6
VIH[mV]	1608-1748	1761-1909	1913-2069
VIL[mV]	987-1085	1103-1200	1218-1316
VSpmax[mV]	>1748	>1909	>2069
VSpmmin[mV]	<987	<1103	<1218
VCOM[mV]	1346.5	1480.5	1614.5
Vhyst[mV]	554-729	590-767	628-812

Table 1. DIST characterization data

V_{IH} = DIST HIGH-Level Input Voltage. V_{IL} = DIST LOW-Level Input Voltage. V_{Spmax} = rising spike voltage on differentiator output ($>V_{IH}$). It is necessary for the guaranteed switching of DIST. V_{Spmin} = falling spike voltage on differentiator output ($<V_{IL}$). V_{COM} = steady state DIST input voltage which is set by the divider from resistors R1 and R2. V_{hyst} = hysteresis value of DIST. Based on Table 1, we can calculate the resistor divider ratio and resistor values. Also, the acceptable ramp rate of an input signal which can propagate through the differentiator depends on resistor and capacitor values used (see Figs 16-18).

It is necessary to pay attention to the VDD range and the differentiator input voltage range.

Because of the divider, V_{COM} voltage will be set within the DIST hysteresis range. With this circuit, the minimum input amplitude to the differentiator then becomes $(V_{IH} - V_{IL})/2$ if V_{COM} was perfectly centered. Of course we must allow additional margin to allow for some offset.

As a result, the functionality waveforms of the Fast Level Shifter are shown below for the schematic from Fig.1.

Waveforms definition:

Channel 1 (yellow line) – PIN#1 (VDD)

Channel 2 (light blue line) – Input of differentiator

Channel 3 (magenta line) – PIN#3 (DIST)

Channel 4 (green line) – PIN#9 (LS_OUT)

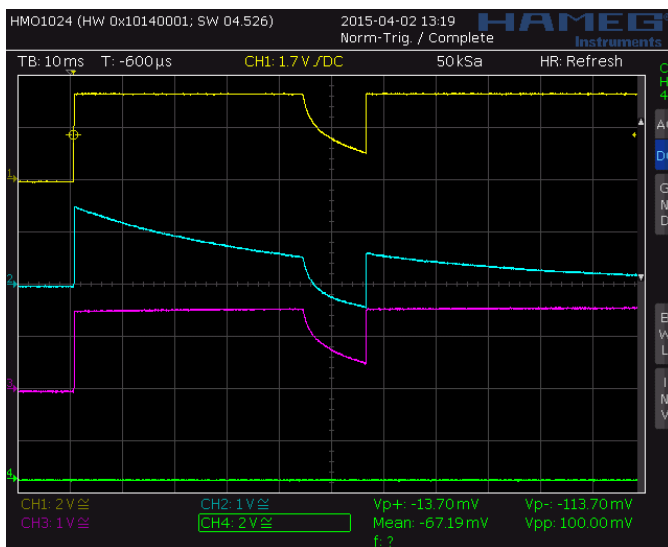


Figure 3. VDD is applied. Differentiator input is in Hi-Z state. LS_OUT remains unchanged. Small timebase

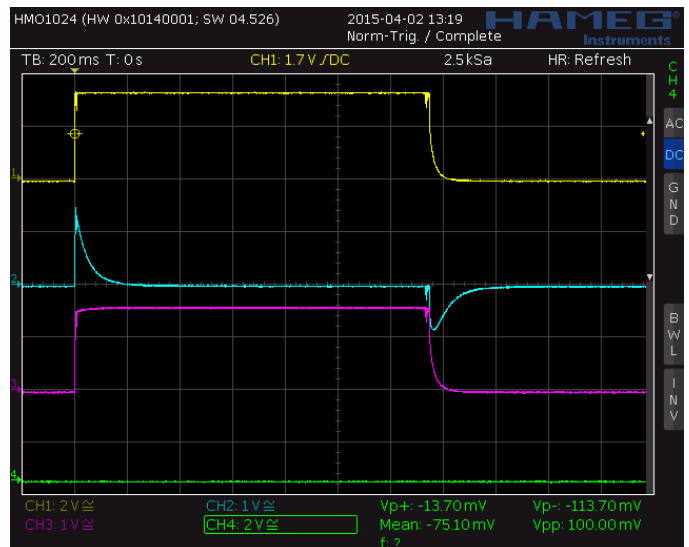


Figure 4 VDD is applied. Differentiator input is in Hi-Z state. LS_OUT remains unchanged. Long timebase

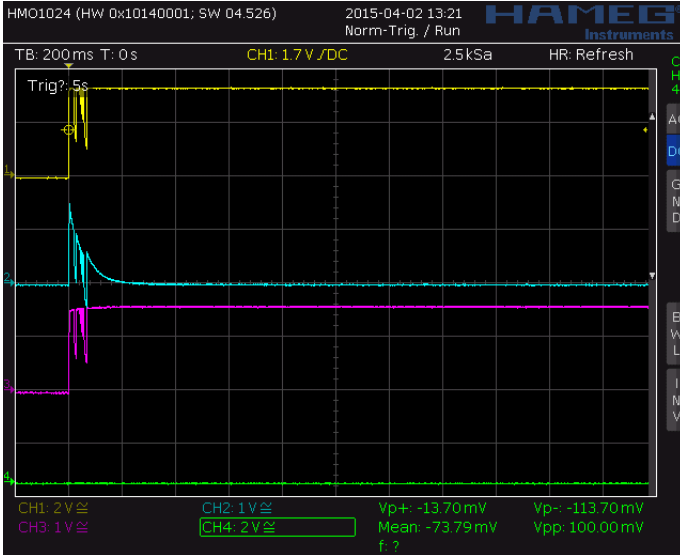


Figure 5. VDD noise. Differentiator input is in Hi-Z state. LS_OUT remains unchanged.

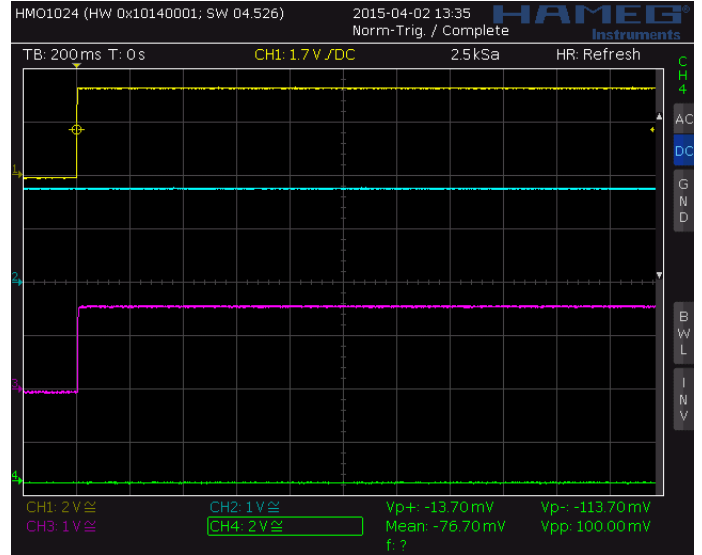


Figure 7. HIGH level on differentiator input comes before VDD. LS_OUT remains LOW

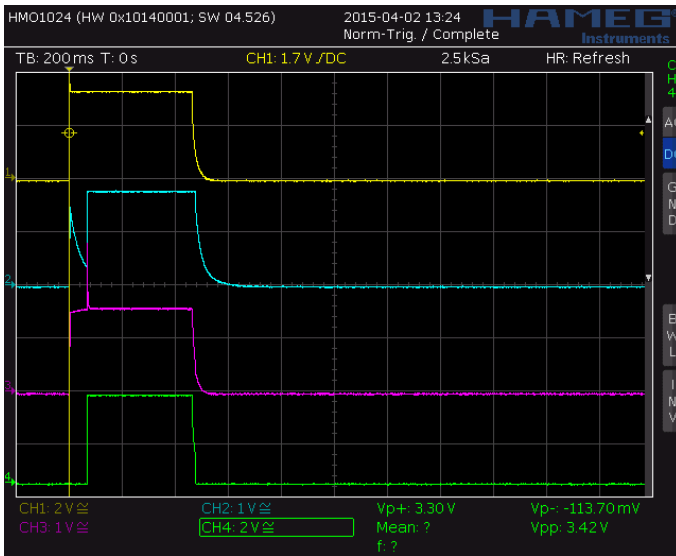


Figure 6. HIGH level on differentiator input comes after VDD. LS_OUT now goes HIGH

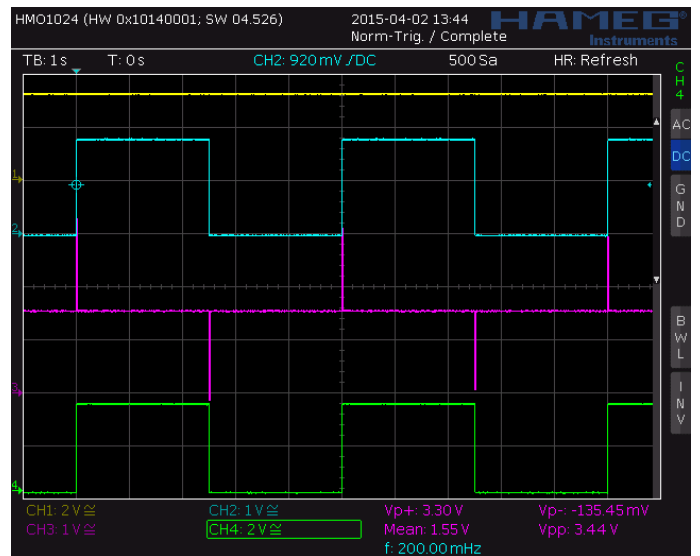


Figure 8. Fast Level Shifter operation. Period of Input signal is 5 seconds

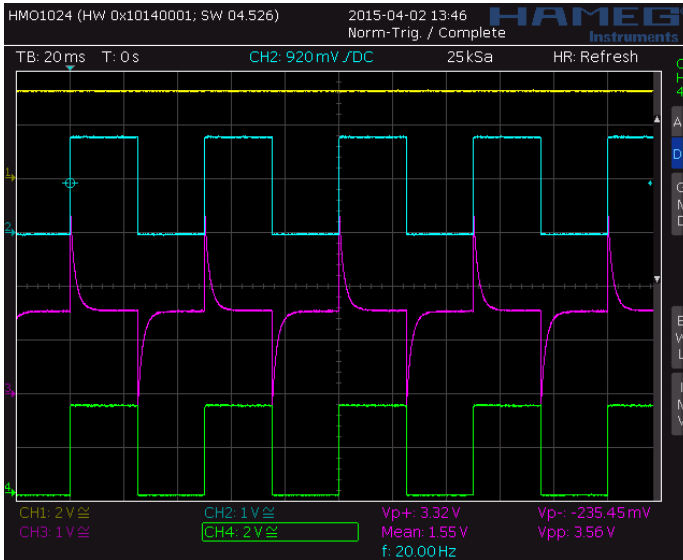


Figure 9. Fast Level Shifter operation. Period of Input signal is 50 ms

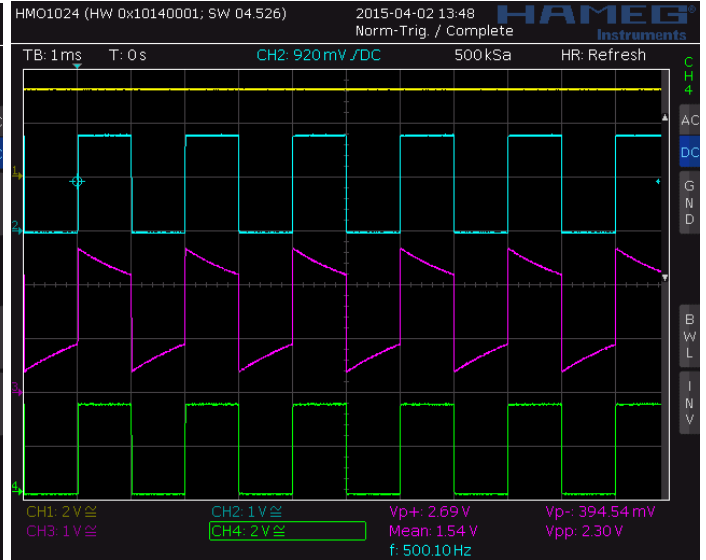


Figure 11. Fast Level Shifter operation. Period of Input signal is 2 ms

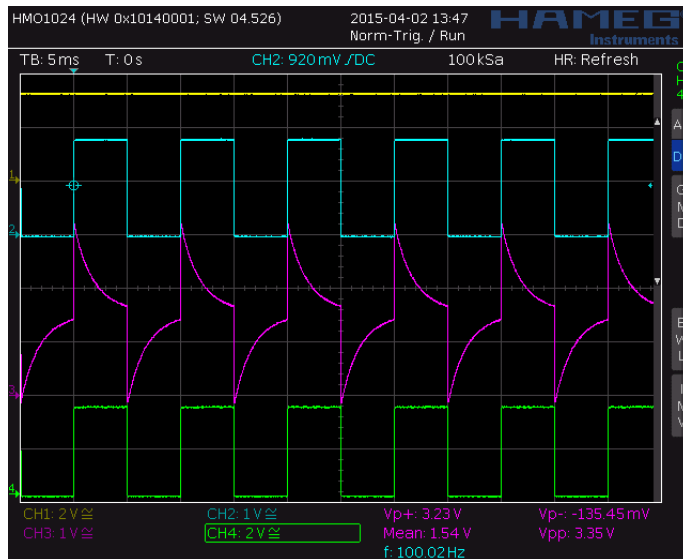


Figure 10. Fast Level Shifter operation. Period of Input signal is 10 ms

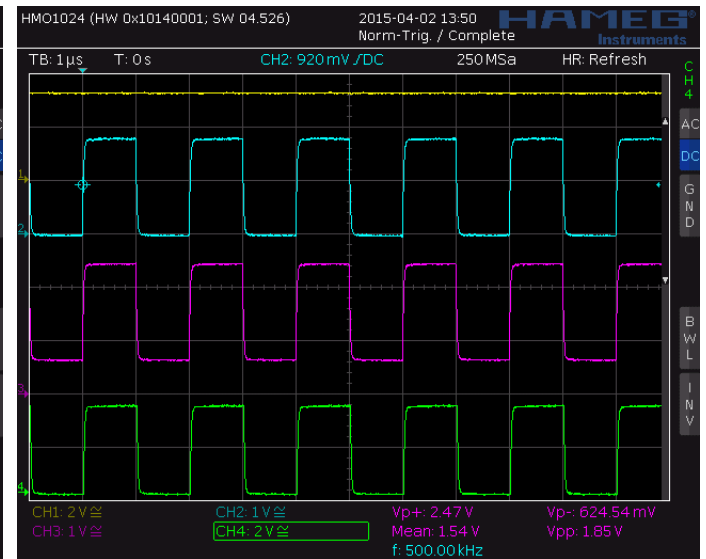


Figure 12. Fast Level Shifter operation. Period of Input signal is 2 us

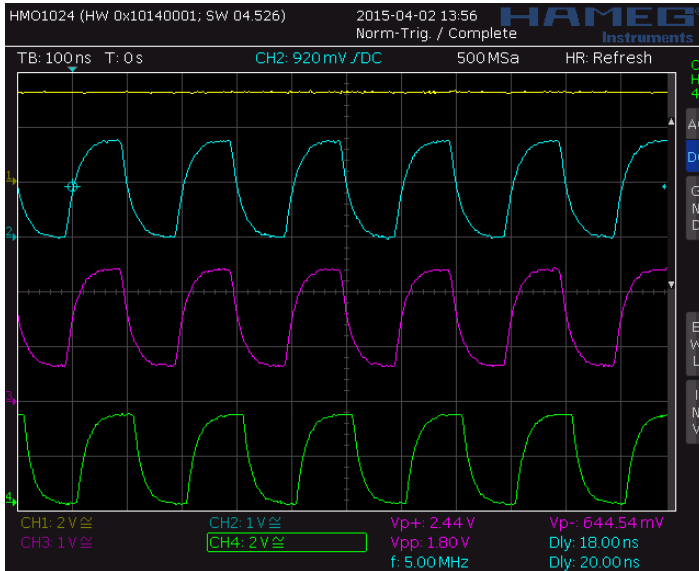


Figure 13. Fast Level Shifter operation. Input signal period is 200 ns (5 MHz). Waveform is limited by oscilloscope probes and parasitic capacitances. Also, pin-to-pin propagation delay influence is visible.

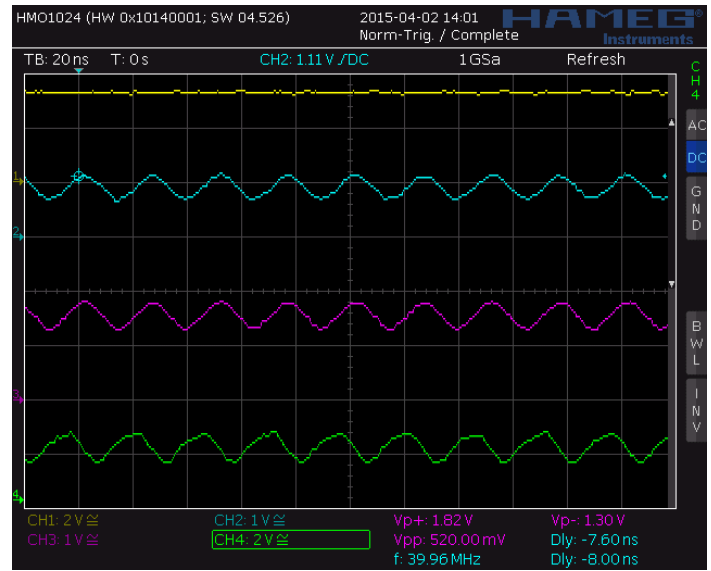


Figure 15. Fast Level Shifter operation. Input signal period is 25 ns. Waveforms are probe bandwidth limited.

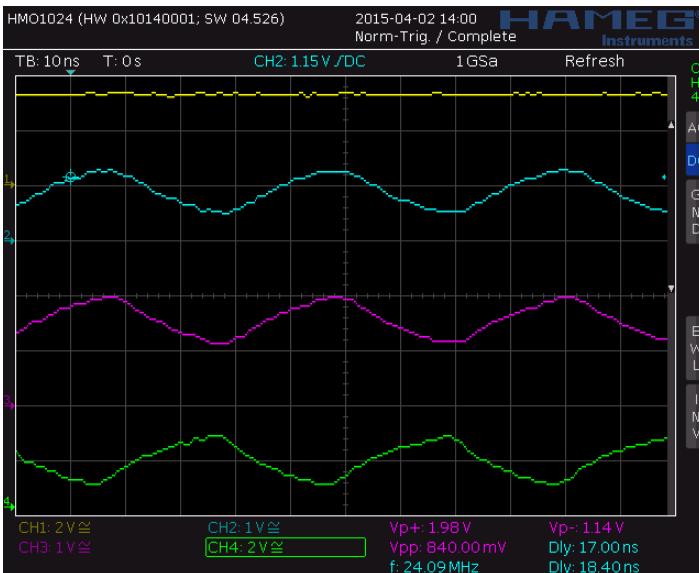


Figure 14. Fast Level Shifter operations. Period of Input signal is 42 ns. Propagation delay time creates effect of phase shift for 180 degrees. The delay time effect is VDD dependent.

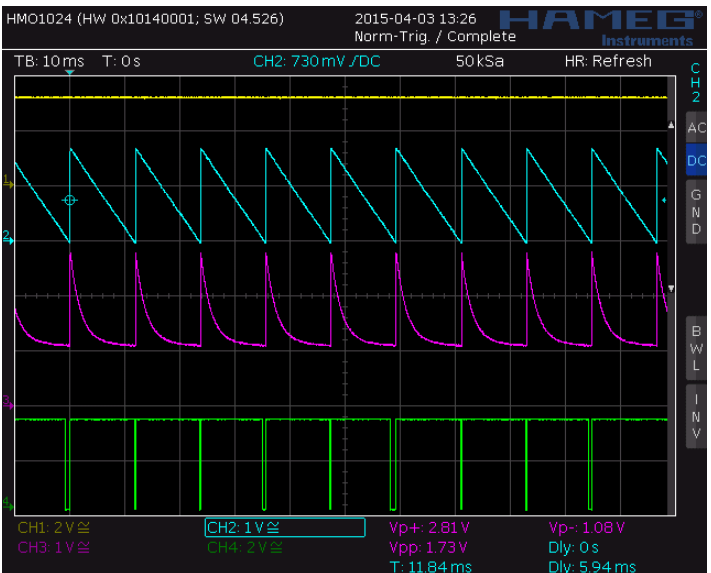


Figure 16. Maximum falling edge ramp rate on differentiator input.

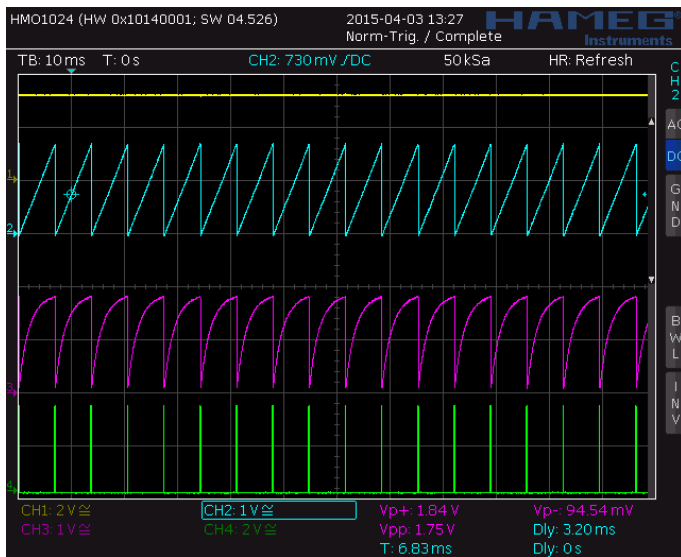


Figure 17. Maximum rising edge ramp rates on differentiator input.

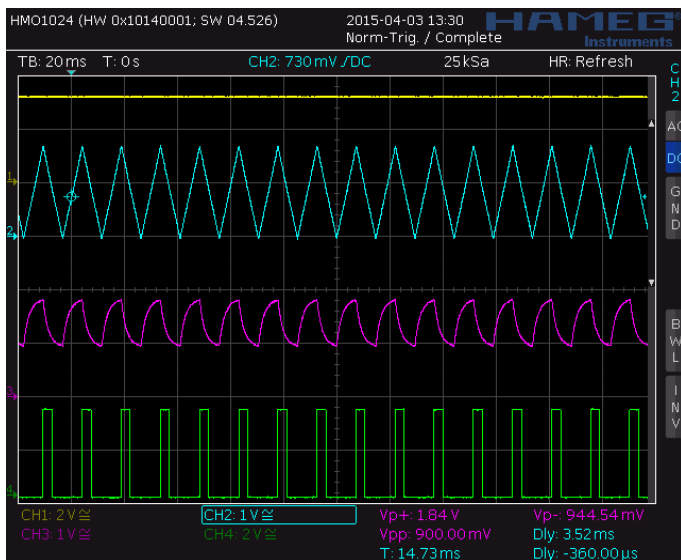


Figure 18. Maximum rising-falling edge ramp rates on differentiator input

Conclusion

The Fast Level Shifter can be used as a level shifter in designs where higher frequency of operation is desired. In such cases, it is a good replacement for the usual schematic with the Low Voltage Digital Input. Flexibility and simplicity of this circuit allows use in specific designs that allow edge triggering.

The design configuration may be found in Appendix 1. The full schematic of the Fast Level Shifter may be found in Appendix 2.

Appendix 1

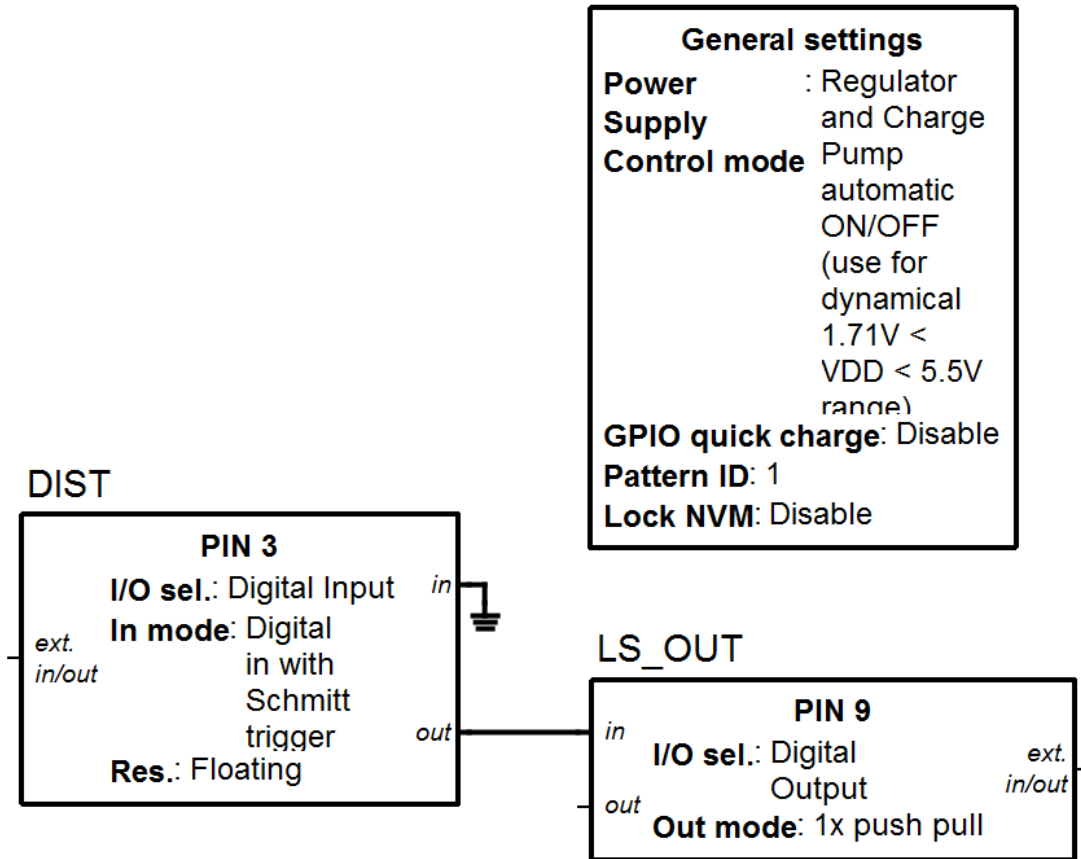


Figure 1.1. Block Diagram for Design

Appendix 2

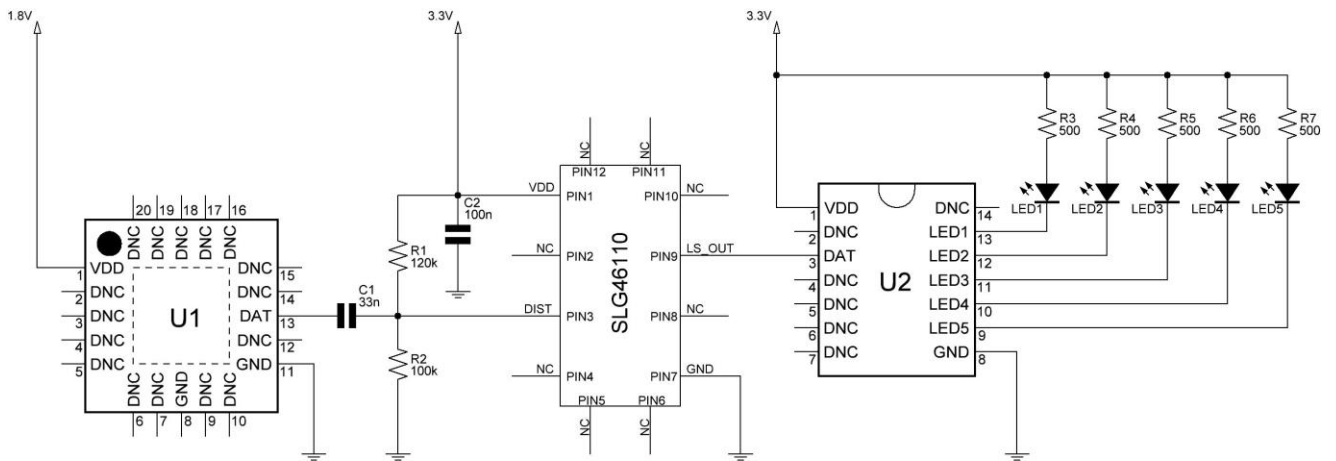


Figure 2.1. Fast Level Shifter schematic

IMPORTANT NOTICE AND DISCLAIMER

RENESAS ELECTRONICS CORPORATION AND ITS SUBSIDIARIES (“RENESAS”) PROVIDES TECHNICAL SPECIFICATIONS AND RELIABILITY DATA (INCLUDING DATASHEETS), DESIGN RESOURCES (INCLUDING REFERENCE DESIGNS), APPLICATION OR OTHER DESIGN ADVICE, WEB TOOLS, SAFETY INFORMATION, AND OTHER RESOURCES “AS IS” AND WITH ALL FAULTS, AND DISCLAIMS ALL WARRANTIES, EXPRESS OR IMPLIED, INCLUDING, WITHOUT LIMITATION, ANY IMPLIED WARRANTIES OF MERCHANTABILITY, FITNESS FOR A PARTICULAR PURPOSE, OR NON-INFRINGEMENT OF THIRD-PARTY INTELLECTUAL PROPERTY RIGHTS.

These resources are intended for developers who are designing with Renesas products. You are solely responsible for (1) selecting the appropriate products for your application, (2) designing, validating, and testing your application, and (3) ensuring your application meets applicable standards, and any other safety, security, or other requirements. These resources are subject to change without notice. Renesas grants you permission to use these resources only to develop an application that uses Renesas products. Other reproduction or use of these resources is strictly prohibited. No license is granted to any other Renesas intellectual property or to any third-party intellectual property. Renesas disclaims responsibility for, and you will fully indemnify Renesas and its representatives against, any claims, damages, costs, losses, or liabilities arising from your use of these resources. Renesas' products are provided only subject to Renesas' Terms and Conditions of Sale or other applicable terms agreed to in writing. No use of any Renesas resources expands or otherwise alters any applicable warranties or warranty disclaimers for these products.

(Disclaimer Rev.1.01 Jan 2024)

Corporate Headquarters

TOYOSU FORESIA, 3-2-24 Toyosu,
Koto-ku, Tokyo 135-0061, Japan
www.renesas.com

Trademarks

Renesas and the Renesas logo are trademarks of Renesas Electronics Corporation. All trademarks and registered trademarks are the property of their respective owners.

Contact Information

For further information on a product, technology, the most up-to-date version of a document, or your nearest sales office, please visit www.renesas.com/contact-us/.