

Application Note

DC-DC Over-Current Protection

AN-CM-293

Abstract

This application note is a user guide, which explains how to use the SLG46585 DC/DC OCP feature if output voltage is 3 V or 3.3 V.

This application note comes complete with design files which can be found in the References section.

DC-DC Over-Current Protection**Contents**

Abstract	1
Contents	2
Figures	2
1 Terms and Definitions	3
2 References	3
3 Background	4
4 Conclusion	8
Revision History	8

Figures

Figure 1: Circuit	4
Figure 2: DC/DC Stuck	5
Figure 3: Circuit of the Design	5
Figure 4: Timing Diagram of Design Functionality	6
Figure 5: The Design Functionality.....	7
Figure 6: Zoomed the Design Functionality.....	7

DC-DC Over-Current Protection

1 Terms and Definitions

DC/DC	direct current to direct current
OCP	over current protection
DLY	delay
CNT	counter
MOSFET	metal-oxide-semiconductor field-effect transistor

2 References

For related documents and software, please visit:

[GreenPAK™ Programmable Mixed-Signal Products | Renesas](#)

Download our free [GreenPAK™ Designer](#) software [1] to open the .gp files [2] and view the proposed circuit design. Use the [GreenPAK development tools](#) [3] to freeze the design into your own customized IC in a matter of minutes. Find out more in complete library of application notes [3] featuring design examples as well as explanations of features and blocks within the GreenPAK IC.

[1] [Go Configure™ Software Hub | Renesas](#), Software Download and User Guide

[2] [AN-CM-293 DC-DC Over-Current Protection.gp](#), [GreenPAK Design File](#)

[3] [GreenPAK Development Tools](#), [GreenPAK Development Tools Webpage](#)

[4] [GreenPAK Application Notes](#), [GreenPAK Application Notes Webpage](#)

DC-DC Over-Current Protection

3 Background

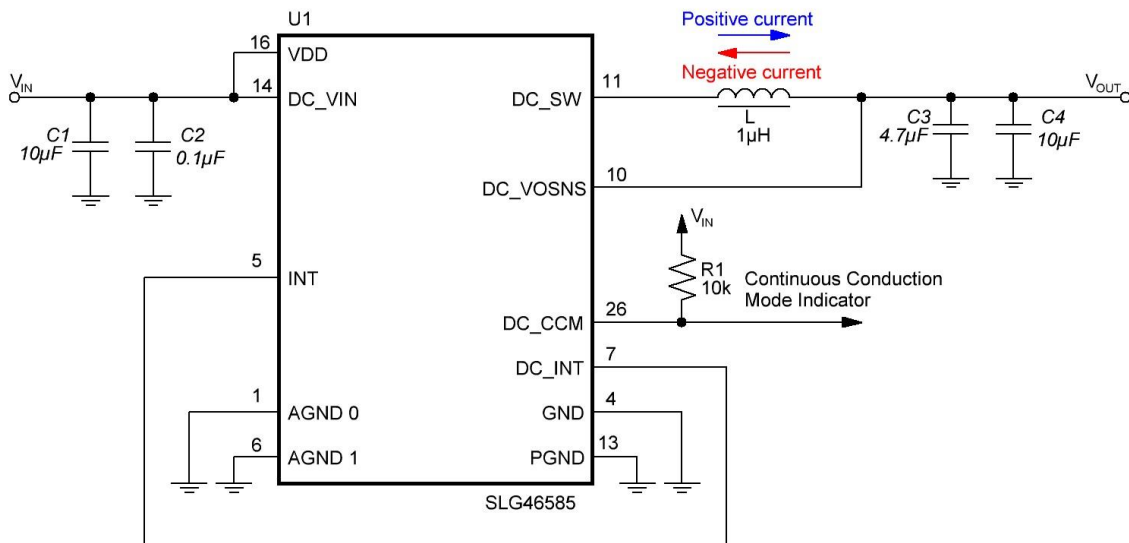


Figure 1: Circuit

When output voltage of DC/DC is 3 V or 3.3 V and the over current protection feature is enabled, there is a specific application circuit that is recommended. During operation, if the inductor current exceeds the OCP threshold, then internally, a high side MOSFET will turn off for 2 us, and the INT output becomes HIGH during the same 2 us.

2us after the high-side MOSFET is turned off and if the VOUT is below the target output voltage, the high side MOSFET will turn on again. At this point, If the inductor current is still greater than the OCP threshold, the high side MOSFET will turn off. This loop will repeat until the OCP event is removed (when the inductor current drops below the OCP threshold), then DC/DC output voltage will finally recover.

However, if DC/DC output voltage is set 3 V or 3.3 V, the DC/DC cannot recover. This happens because of the internal low-side MOSFET. During operation, the low side MOSFET is opened during INT and a capacitor discharges through this MOSFET, meaning the inductor current becomes negative (the inductor's current flows from the output capacitor, C3 and C4, to the power supply). See [Figure 2](#) channel 2 for an example. Due to this, the DC/DC can't recover even if there is no output load. For a given input of 5V, the output will become stuck at 2.5 V and the DC/DC consumes approximately 200 mA.

The recommended workaround is to use the typical application circuit shown in [Figure 1](#) and the internal design circuitry shown in [Figure 3](#).

DC-DC Over-Current Protection

Channel 1 (yellow/top line) – V_OUT

Channel 2 (light blue/2nd line) – PIN#11 (DC_SW)

Channel 3 (magenta /3rd line) – PIN#7 (DC_INT)



Figure 2: DC/DC Stuck

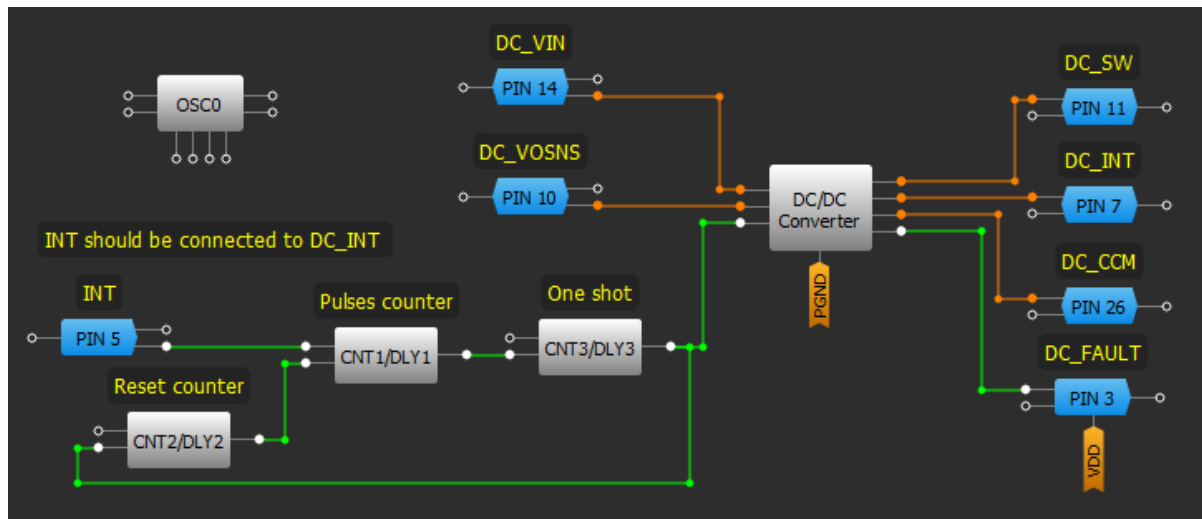


Figure 3: Circuit of the Design

If DC/DC output voltage is set to 3 V or 3.3 V, it is recommended to use the application circuit shown in Figure 1 and Figure 3. When the over current condition occurs, CNT1 will start to detect INT edges. If CNT1 counts more than eight interrupts (CNT1 counter data + 2) within a period of time set by CNT 2, the CNT1 will generate a pulse which launches DLY3. DLY3 will generate a one-shot pulse, which turns off the DC/DC. This one-shot pulse also resets CNT2, which, in turn, resets the CNT1. The purpose of CNT2 is to create a window. It will periodically reset CNT1.

DC-DC Over-Current Protection

When the DC/DC is turned on or a load transient occurs, there can be a few interrupt pulses (usually 1 or 2). Therefore, CNT1 should have a count of at least 3 to filter out false over current conditions. The time of one-shot (DLY3), periodical reset (CNT2) and number of counted interrupts (CNT1) can be adjusted.

Since PIN#7(DC_INT) is open drain, add a pull up resistor. In the design PIN#5(INT) is configured with 10k pull up resistor and the two pins PIN#7(DC_INT) and PIN#5(INT) are tied together.

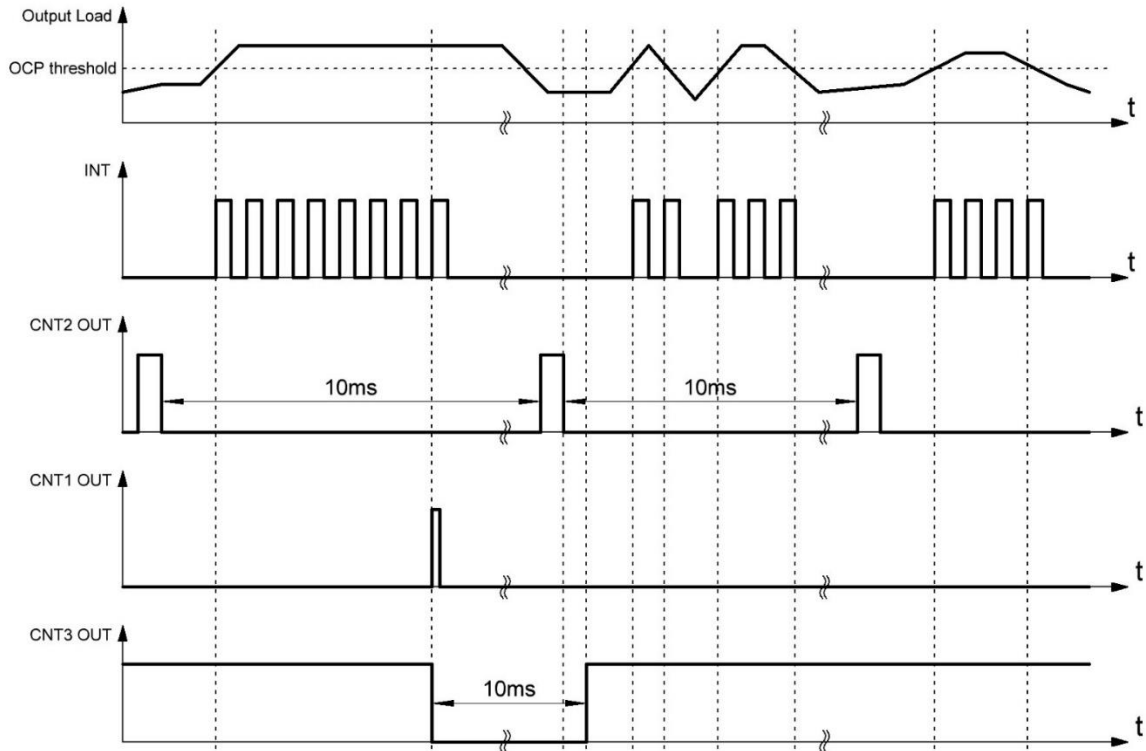


Figure 4: Timing Diagram of Design Functionality

DC-DC Over-Current Protection

Channel 1 (yellow/top line) – PIN#11 (DC_SW)

Channel 2 (light blue/2nd line) – CNT3 OUT/DC-DC ENABLE

Channel 3 (magenta /3rd line) – PIN#7 (DC_INT)

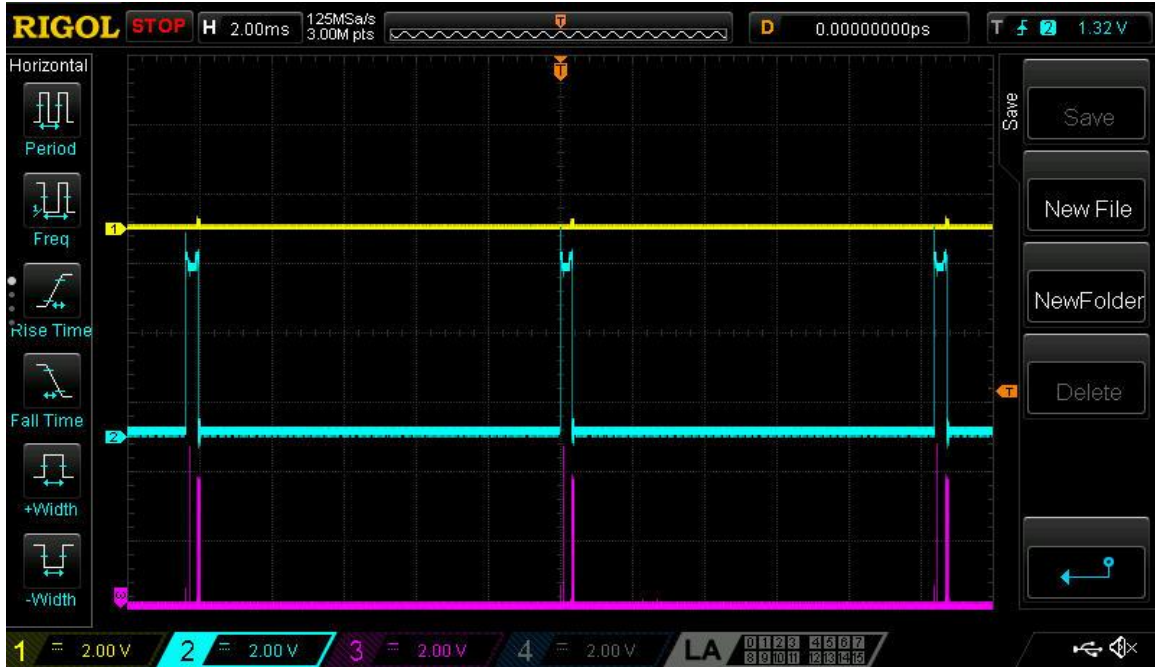


Figure 5: The Design Functionality



Figure 6: Zoomed the Design Functionality

DC-DC Over-Current Protection

4 Conclusion

This application note explains how to use the OCP in SLG46585's DC/DC, when DC/DC output voltage is set to 3 V or 3.3 V. Here is a typical circuit which is recommended to use with the DC/DC.

Revision History

Revision	Date	Description
1.0	31-Mar-2020	Initial Version

IMPORTANT NOTICE AND DISCLAIMER

RENESAS ELECTRONICS CORPORATION AND ITS SUBSIDIARIES (“RENESAS”) PROVIDES TECHNICAL SPECIFICATIONS AND RELIABILITY DATA (INCLUDING DATASHEETS), DESIGN RESOURCES (INCLUDING REFERENCE DESIGNS), APPLICATION OR OTHER DESIGN ADVICE, WEB TOOLS, SAFETY INFORMATION, AND OTHER RESOURCES “AS IS” AND WITH ALL FAULTS, AND DISCLAIMS ALL WARRANTIES, EXPRESS OR IMPLIED, INCLUDING, WITHOUT LIMITATION, ANY IMPLIED WARRANTIES OF MERCHANTABILITY, FITNESS FOR A PARTICULAR PURPOSE, OR NON-INFRINGEMENT OF THIRD-PARTY INTELLECTUAL PROPERTY RIGHTS.

These resources are intended for developers who are designing with Renesas products. You are solely responsible for (1) selecting the appropriate products for your application, (2) designing, validating, and testing your application, and (3) ensuring your application meets applicable standards, and any other safety, security, or other requirements. These resources are subject to change without notice. Renesas grants you permission to use these resources only to develop an application that uses Renesas products. Other reproduction or use of these resources is strictly prohibited. No license is granted to any other Renesas intellectual property or to any third-party intellectual property. Renesas disclaims responsibility for, and you will fully indemnify Renesas and its representatives against, any claims, damages, costs, losses, or liabilities arising from your use of these resources. Renesas' products are provided only subject to Renesas' Terms and Conditions of Sale or other applicable terms agreed to in writing. No use of any Renesas resources expands or otherwise alters any applicable warranties or warranty disclaimers for these products.

(Disclaimer Rev.1.01)

Corporate Headquarters

TOYOSU FORESIA, 3-2-24 Toyosu,
Koto-ku, Tokyo 135-0061, Japan
www.renesas.com

Trademarks

Renesas and the Renesas logo are trademarks of Renesas Electronics Corporation. All trademarks and registered trademarks are the property of their respective owners.

Contact Information

For further information on a product, technology, the most up-to-date version of a document, or your nearest sales office, please visit www.renesas.com/contact-us/.