

Application Note

DA9217/DA9121 and DA9220/DA9122 PCB Layout Recommendations

AN-PM-115

Abstract

This application note provides recommendations on how to place and route DA9217/DA9121 and DA9220/DA9122 devices. It also gives guidance on the passive components needed for proper functioning of the system. This document is a guideline only; target applications may have different requirements.

DA9217/DA9121 and DA9220/DA9122 PCB Layout Recommendations

Contents

Abstract	1
1 Terms and Definitions	3
2 References	3
3 Introduction	4
4 Layout Recommendations	6
4.1 DA9217/DA9121 and DA9220/DA9122 Package Information	6
4.1.1 Ball Map	6
4.1.2 Package Information	7
4.2 Buck Converter	8
4.2.1 DA9217/DA9121 and DA9220/DA9122 Input	8
4.2.2 Ground Connections	9
4.2.3 LX Routing	10
4.2.4 Buck Output	12
4.2.5 Feedback Lines	12
4.3 Communication Interface (I ² C)	14
4.4 GPIO Signals	14
Revision History	15

Figures

Figure 1: DA9217/DA9121 Recommended Components and Connections	4
Figure 2: DA9220/DA9122 Recommended Components and Connections	5
Figure 3: Ball Map	6
Figure 4: Package Outline Drawing	7
Figure 5: Recommended Input Capacitor Placement and Routing	8
Figure 6: Recommended Grounds Connection for DA9220/DA9122	9
Figure 7: Recommended Grounds Connection for DA9217/DA9121	10
Figure 8: LX Node Pattern on DA9220/DA9122 Evaluation Board	11
Figure 9: Output Voltage Feedback Line Routing on DA9220/DA9122 Evaluation Board	13

Tables

Table 1: DA9217/DA9121 Recommended Components	4
Table 2: DA9220/DA9122 Recommended Components	5

DA9217/DA9121 and DA9220/DA9122 PCB Layout Recommendations

1 Terms and Definitions

FET	Field effect transistor
GND	Ground
GPIO	General purpose input or output
IC	Integrated circuit
PCB	Printed circuit board
WLCSP	Wafer level chip scale packaging

2 References

- [1] DA9217, Datasheet, Dialog Semiconductor.
- [2] DA9220, Datasheet, Dialog Semiconductor.
- [3] DA9121, Datasheet, Dialog Semiconductor.
- [4] DA9122, Datasheet, Dialog Semiconductor.
- [5] AN-PM-010, PCB Layout Guidelines for Dialog PMICs, Application Note, Dialog Semiconductor.

DA9217/DA9121 and DA9220/DA9122 PCB Layout Recommendations

3 Introduction

Dialog Semiconductor's DA9217/DA9121 and DA9220/DA9122 devices are power management ICs with integrated power FETs, see datasheets [1][2][3][4]. DA9217/DA9121 is configured as a single channel, dual-phase buck converter, while DA9220/DA9122 is configured as a two-channel, single-phase buck converter.

The input voltage range of 2.5 V to 5.5 V makes DA9217/DA9121 and DA9220/DA9122 suitable for a wide variety of low-voltage systems including 1S Li-Ion battery-supplied applications. The output voltage is configurable in the range of 0.3 V to 1.9 V.

The recommended components and connections for DA9217/DA9121 are shown in Figure 1. DA9220/DA9122's recommended components and connections are shown in Figure 2.

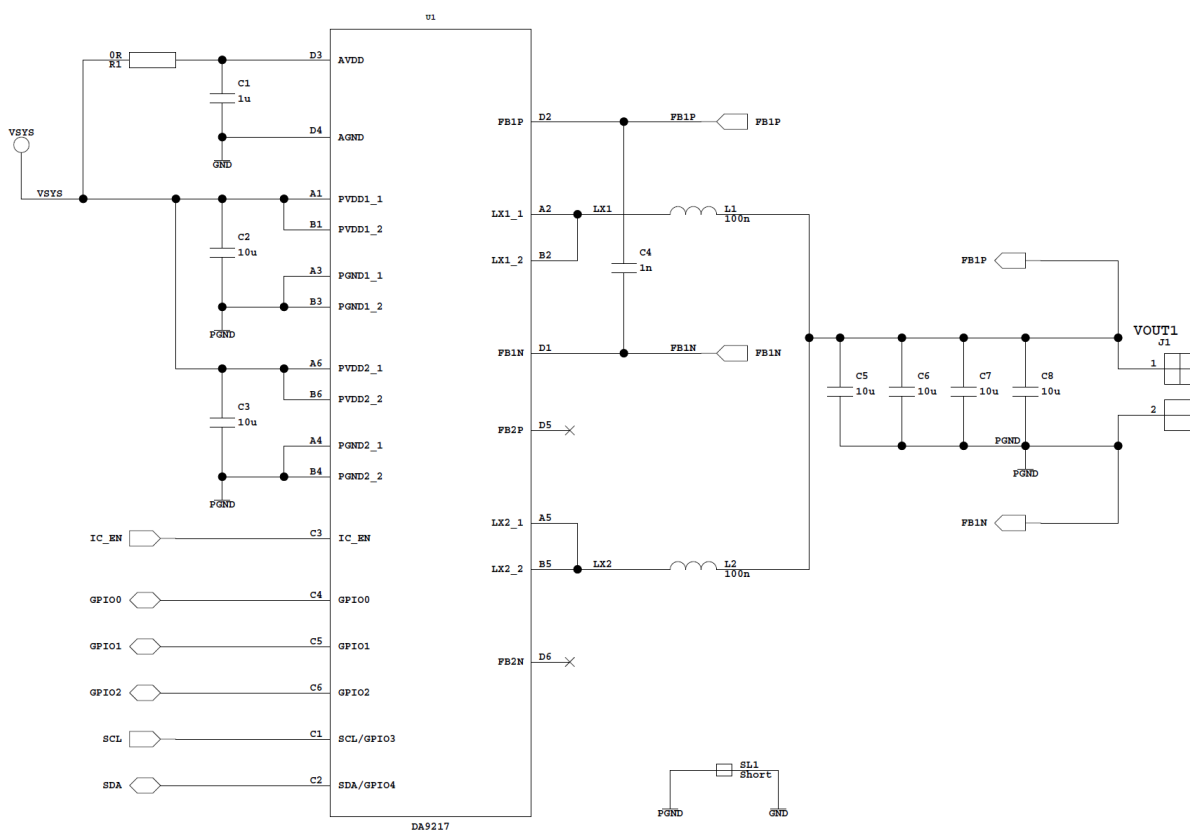


Figure 1: DA9217/DA9121 Recommended Components and Connections

Table 1: DA9217/DA9121 Recommended Components

Application	Part Reference	Value	Temp. Char.	Voltage Rating	ISAT and ITEMP
AVDD Bypass Cap	C1	1 µF	X5R or better	16 V or above	N/A
PVDD Bypass Cap	C2, C3	10 µF	X5R or better	16 V or above	N/A
VOUT Bypass Cap	C5, C6, C7, C8	10 µF	X5R or better	6.3 V or above	N/A
FB Bypass Cap	C4	1 nF	X5R or better	6.3 V or above	N/A
Output Inductor	L1, L2	100 nH	N/A	N/A	4.5 A or above for 3 A per-phase maximum load current. 6.5 A or above for

DA9217/DA9121 and DA9220/DA9122 PCB Layout Recommendations

Application	Part Reference	Value	Temp. Char.	Voltage Rating	ISAT and ITEMP
					5 A per-phase maximum load current.

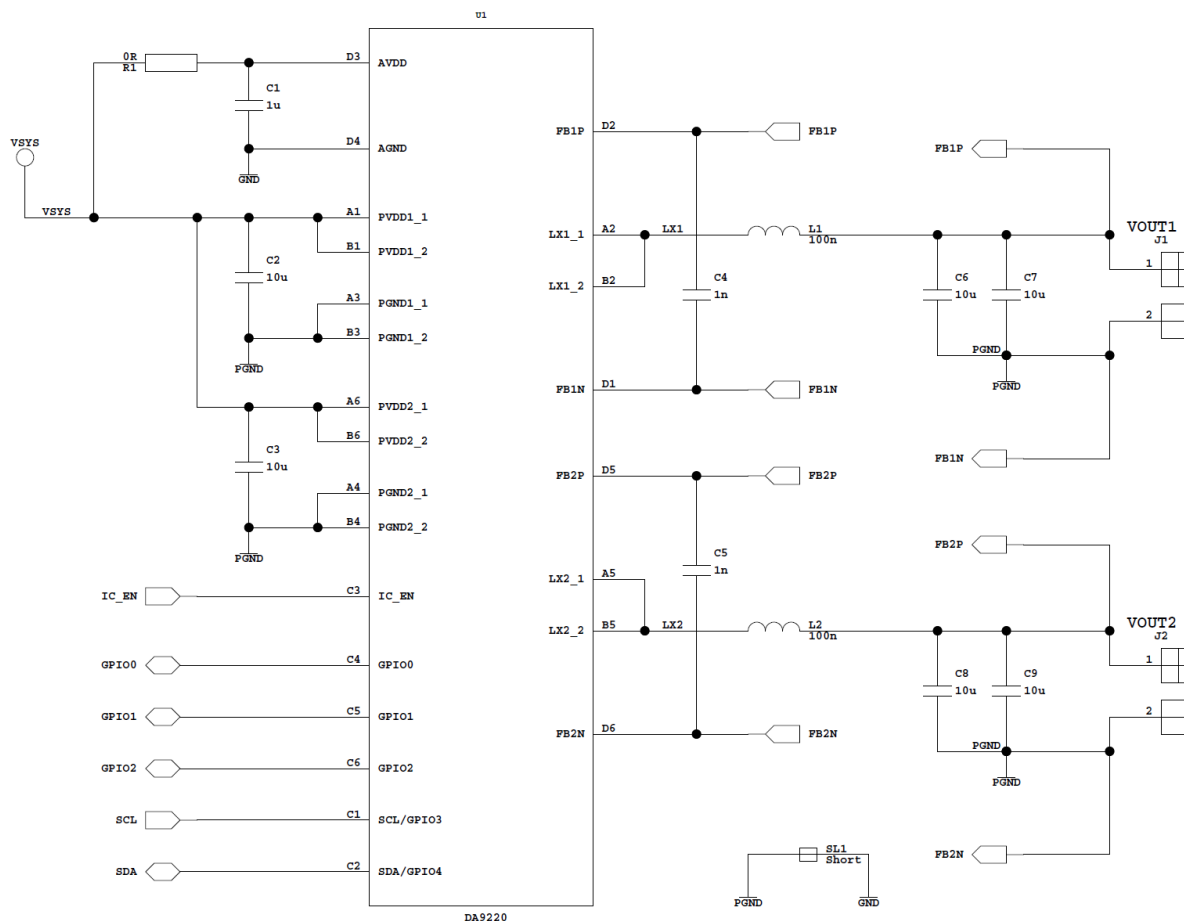


Figure 2: DA9220/DA9122 Recommended Components and Connections

Table 2: DA9220/DA9122 Recommended Components

Application	Part Reference	Value	Temp. Char.	Voltage Rating	ISAT and ITEMP
AVDD Bypass Cap	C1	1 µF	X5R or better	16 V or above	N/A
PVDD Bypass Cap	C2, C3	10 µF	X5R or better	16 V or above	N/A
VOUT Bypass Cap	C6, C7, C8, C9	10 µF	X5R or better	6.3 V or above	N/A
FB Bypass Cap	C4, C5	1 nF	X5R or better	6.3 V or above	N/A
Output Inductor	L1, L2	100 nH	N/A	N/A	4.5 A or above for 3 A maximum load current. 6.5 A or above for 5 A maximum load current.

DA9217/DA9121 and DA9220/DA9122 PCB Layout Recommendations

4 Layout Recommendations

DA9217/DA9121 and DA9220/DA9122 are packaged in a 24-pin WLCSP package with a 0.4 mm pitch.

At least a four-layer PCB stack-up should be used for best PCB layout design. However, the number of routing layers and other PCB parameters are also determined by the other devices in the system.

These recommendations are with reference to the Dialog DA9217/DA9121 or DA9220/DA9122 Evaluation Board, a six-layer PCB. General PMIC layout guidelines are provided in AN-PM-010 [5].

4.1 DA9217/DA9121 and DA9220/DA9122 Package Information

4.1.1 Ball Map

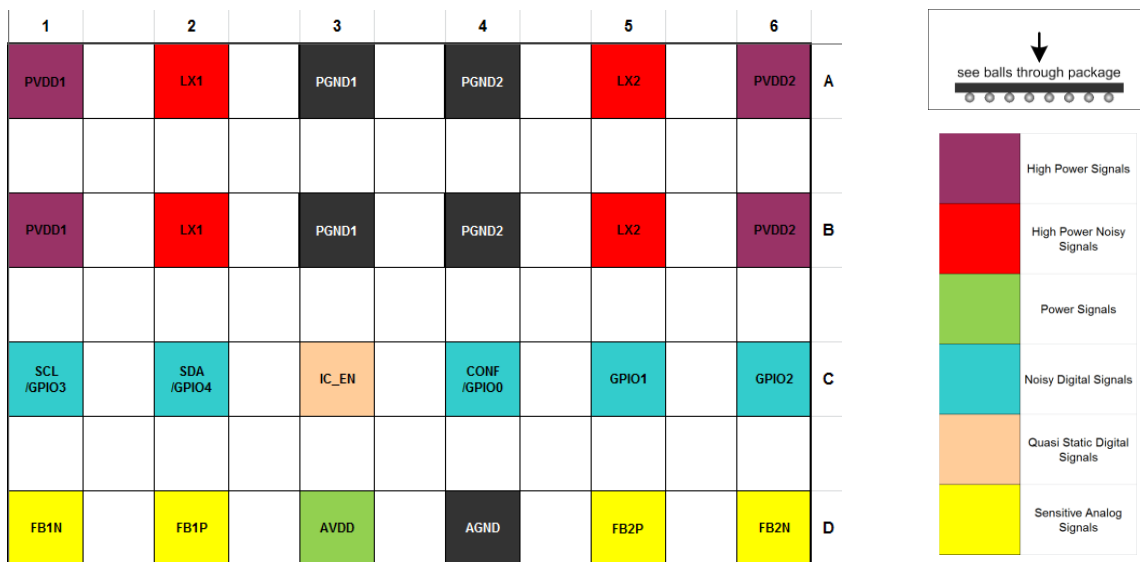


Figure 3: Ball Map

DA9217/DA9121 and DA9220/DA9122 PCB Layout Recommendations

4.1.2 Package Information

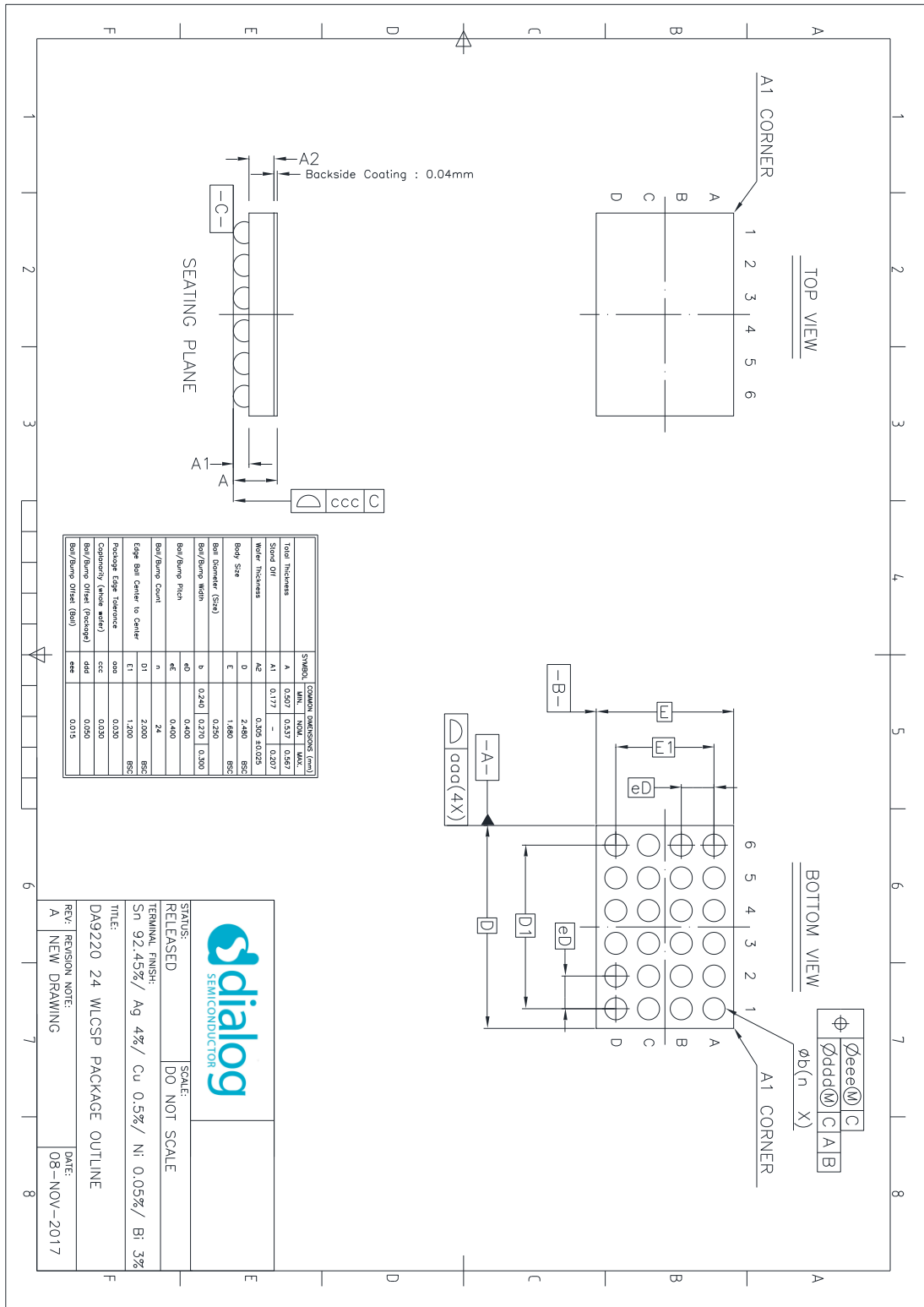


Figure 4: Package Outline Drawing

DA9217/DA9121 and DA9220/DA9122 PCB Layout Recommendations

4.2 Buck Converter

DA9217/DA9121 and DA9220/DA9122 follow the standard buck layout procedure with output capacitors placed as close as possible to the load. Due to the device's ability to deliver high currents, a wide output trace for minimized parasitic impedance is recommended.

4.2.1 DA9217/DA9121 and DA9220/DA9122 Input

In a buck converter layout, the input capacitor location is critical. Locate the input capacitor as close as possible to the device's input and power GND pins to minimize the parasitic inductance.

In DA9217/DA9121 and DA9220/DA9122 layout design, the input capacitor for each phase should be placed as close as possible to the PVDD<x> and PGND<x> pins, and on the same layer as the DA9217/DA9121 or DA9220/DA9122 device.

If multiple layers are used, it is recommended to use at least two through-hole vias (or at least six microvias) to connect the input voltage (V_{SYS}) between layers to minimize line resistance.

The DA9217/DA9121 and DA9220/DA9122 have separate AVDD supply pins for the internal analog circuits. A 1 μ F bypass capacitor should be placed close to the device's AVDD pin. The AVDD pin input and buck converter input (PVDD1 and PVDD2) share the same net, but it is important to separate these traces. Do not connect both traces directly on the same layer.

Ensure that the AVDD pin is connected to the input voltage (V_{SYS}) plane far enough from the buck's input voltage plane so switching noise from the buck converter input (PVDD1 and PVDD2) is not injected to the AVDD pin.

Figure 5 shows the input capacitor placement and routing recommendation.

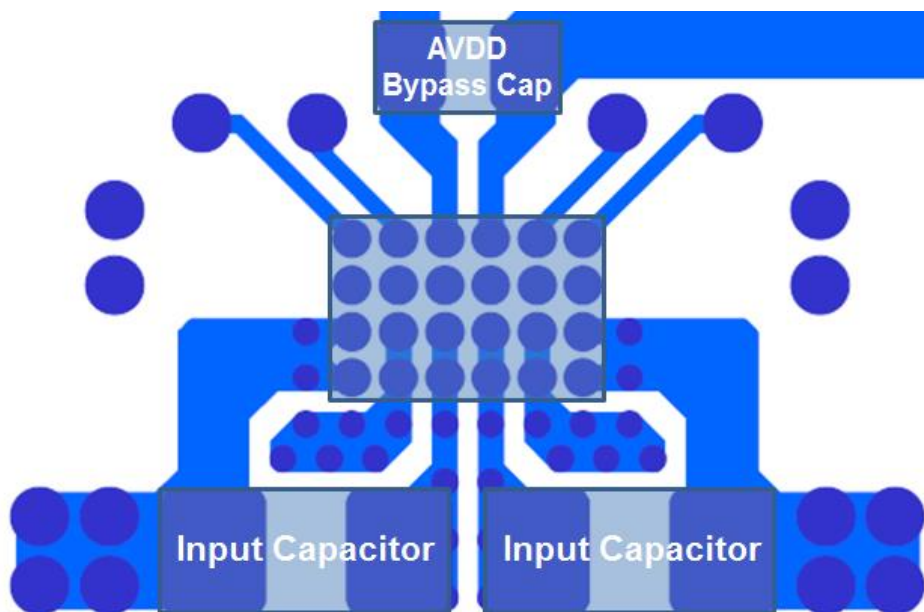


Figure 5: Recommended Input Capacitor Placement and Routing

DA9217/DA9121 and DA9220/DA9122 PCB Layout Recommendations

4.2.2 Ground Connections

Special care should be taken with ground connections because of the high current capability of DA9217/DA9121 and DA9220/DA9122, and because of the device's high-performance requirements.

The power GND terminals (PGND1 and PGND2) of the DA9217/DA9121 and DA9220/DA9122 are placed between each phase's LX pin.

For DA9220/DA9122, it is strongly recommended to separate PGND1 and PGND2 on the component layer and connect them at a solid common GND plane. For DA9217/DA9121, it is not necessary to separate PGND1 and PGND2.

It is best practice to isolate quiet analog GND (AGND) from noisy power GND terminals (PGND1 and PGND2) and to connect them at a single point.

Layer 2 can be used as a return power GND plane, where the device's PGND pins and output capacitor GND can be connected. It is recommended to minimize the line impedance of the PGND pins and output capacitor GND connections by using as many vias as possible. This will also improve the heat dissipation.

NOTE

It is always recommended to use copper plugged vias to achieve the minimum parasitic via impedance and best thermal performance.

Examples of how to connect the GND terminals are illustrated in [Figure 6](#) and [Figure 7](#).

AGND is isolated from the power GND terminals (PGND1 and PGND2) at the top layer (component layer) and connected at a single point on the bottom layer.

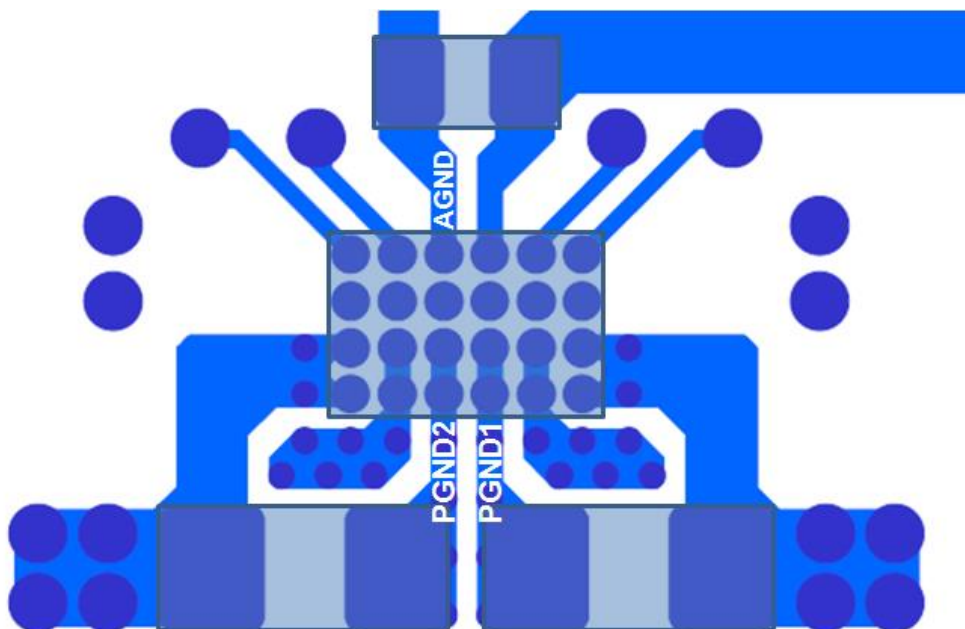


Figure 6: Recommended Grounds Connection for DA9220/DA9122

DA9217/DA9121 and DA9220/DA9122 PCB Layout Recommendations

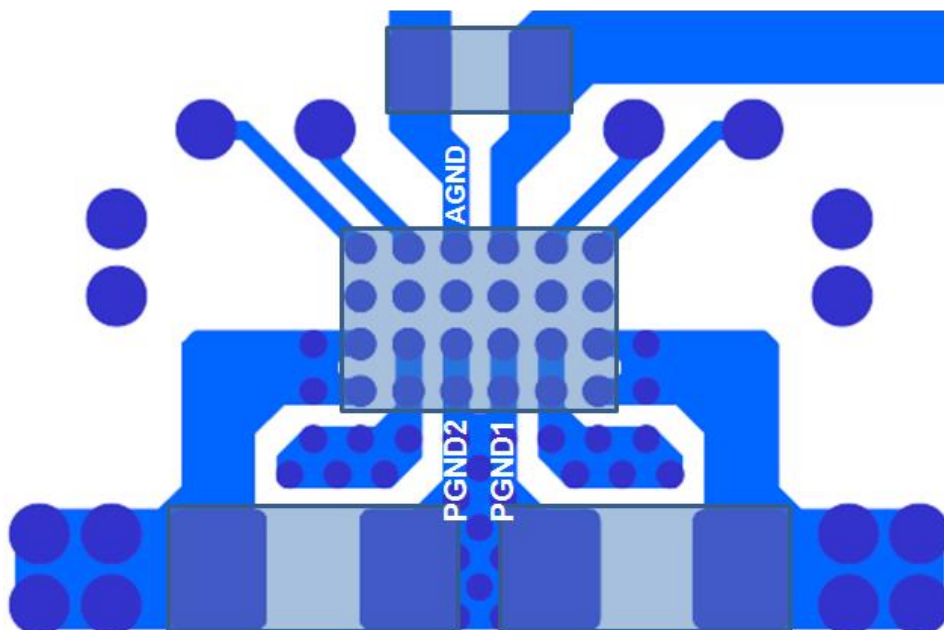


Figure 7: Recommended Grounds Connection for DA9217/DA9121

4.2.3 LX Routing

Switch node/LX node traces (traces between LX pins and output inductors) need to be kept as short as possible since this node generates switching noise, which can interfere with buck converter stability. Very high current will flow through this trace and so the minimum width of trace used for this LX node must be considered. Also, ensure that there are enough vias to deliver the current.

The LX node patterns on Dialog's DA9220/DA9122 Evaluation Board are shown in [Figure 8](#).

DA9217/DA9121 and DA9220/DA9122 PCB Layout Recommendations

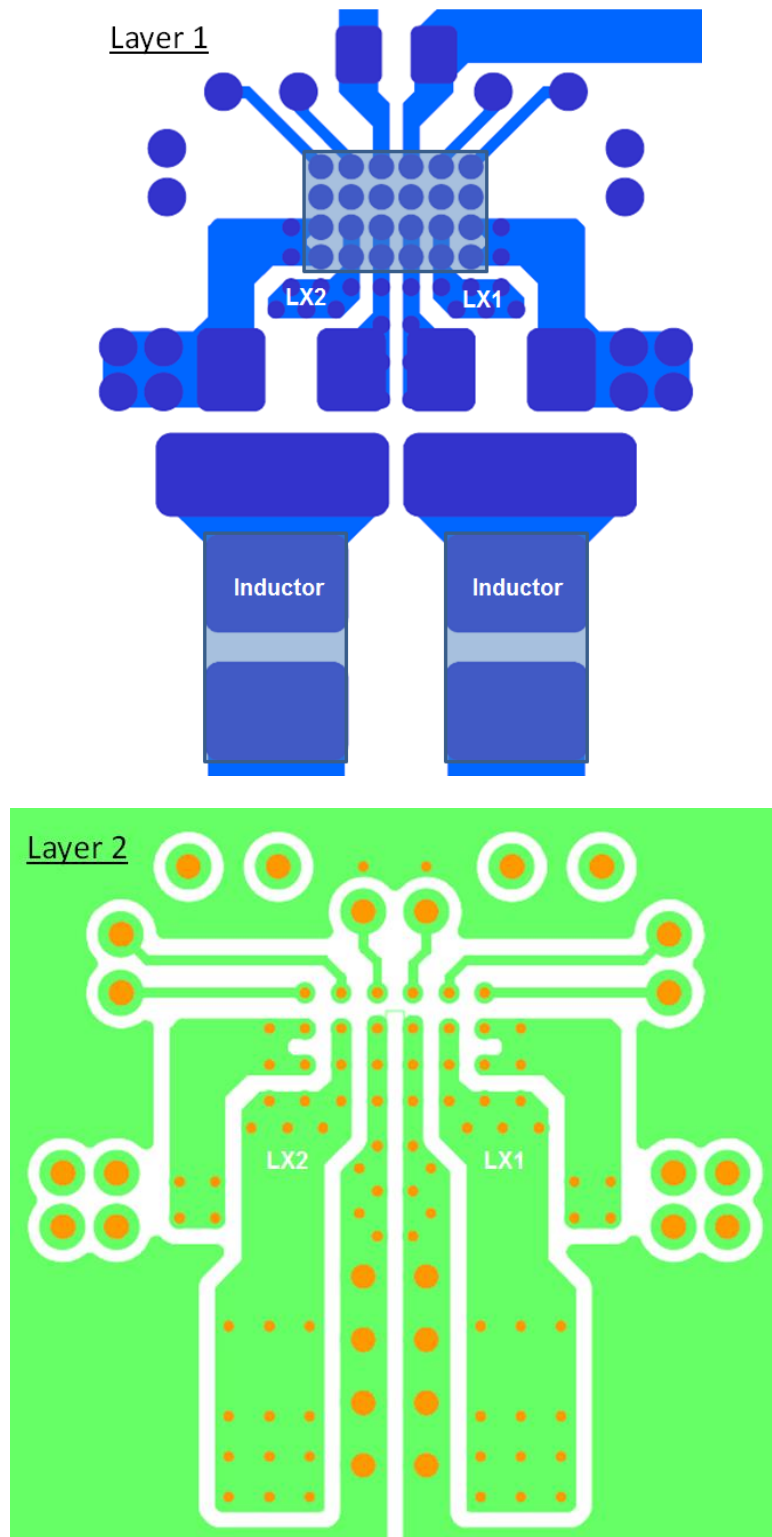


Figure 8: LX Node Pattern on DA9220/DA9122 Evaluation Board

DA9217/DA9121 and DA9220/DA9122 PCB Layout Recommendations

4.2.4 Buck Output

Output capacitors should be placed as close as possible to the load. Do not split the output capacitors into local capacitors (close to the output inductor) and remote capacitors (close to the load) as this may affect the stability of the buck converter.

However, minimizing the distance (which minimizes the line impedance) from the output inductors to the output capacitors (the load) is also important since it directly affects the efficiency and load transient response performance of the buck converter. Care must be taken with the size of the output traces since the output peak current can be up to 10 A for DA9121 and up to 5 A per-channel for DA9122.

It is best practice to transfer the output current at the top layer directly without using any vias. This will give the best performance in terms of efficiency and load transient response performance.

4.2.5 Feedback Lines

Feedback lines must be routed as a differential pair far from any noise source (for example, output inductors, LX node, and so on). It is strongly recommended to place a bypass capacitor (typically 1 nF) between the positive and negative sides of the differential feedback. The bypass capacitor should be placed as close as possible to the IC. It is useful for filtering noise which may be injected to the feedback lines due to a layout limitation (for example, a long feedback pattern or noise from other devices in the system).

Also, ensure that the feedback lines are not overlapping any noisy node traces (for example, the LX node trace) without an insulation plane in between. If DA9217/DA9121 or DA9220/DA9122 is assembled on the top layer, it is recommended to route the feedback lines on Layer 4 or below when the traces are near to the IC and the switch node areas.

NOTE

- The negative feedback trace is at ground potential and care should be taken not to connect any part of the trace to the ground plane.
- The feedback lines must be routed directly from the load point in order to achieve the best voltage accuracy and stability.

Examples of output-voltage feedback-line routing, on the Dialog DA9220/DA9122 Evaluation Board, are shown in [Figure 9](#).

DA9217/DA9121 and DA9220/DA9122 PCB Layout Recommendations

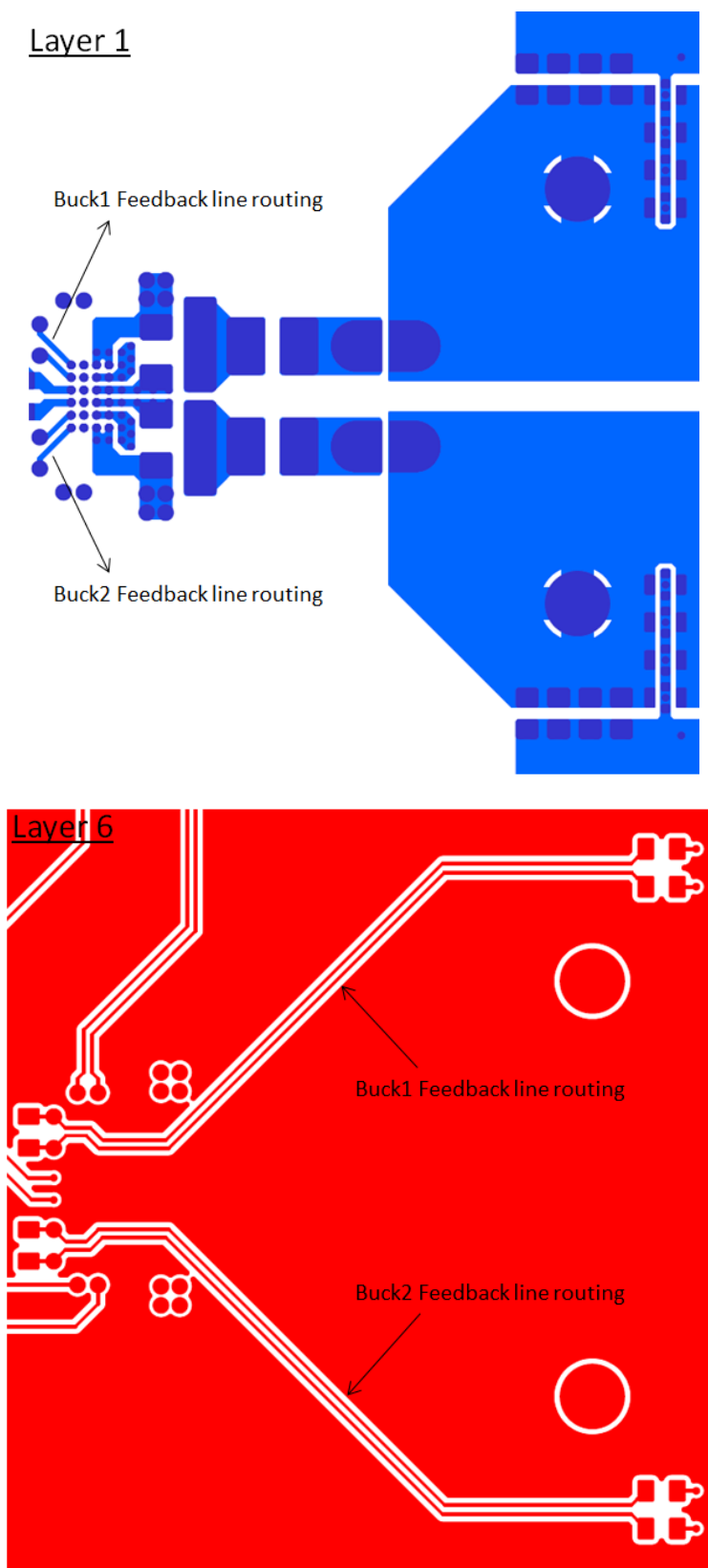


Figure 9: Output Voltage Feedback Line Routing on DA9220/DA9122 Evaluation Board

DA9217/DA9121 and DA9220/DA9122 PCB Layout Recommendations**4.3 Communication Interface (I²C)**

It is recommended to route the communication interface far from any noise source.

Care must also be taken regarding the noise produced by the interface signal in order to avoid coupling to the sensitive analog references and feedbacks. The routing layer is not critical, but it is recommended to use the bottom or top layer.

4.4 GPIO Signals

Generally, GPIOs have the lowest routing priority. Any layer can be used for routing these signals.

However, care must be taken regarding the noise produced by the GPIOs in order to avoid coupling to the sensitive analog references and feedbacks.

**DA9217/DA9121 and DA9220/DA9122 PCB Layout
Recommendations****Revision History**

Revision	Date	Description
0.1	18-Jun-2018	Initial version (draft).
1.0	14-Oct-2019	Released version.
1.1	15-Feb-2022	Rebranded to Renesas.

DA9217/DA9121 and DA9220/DA9122 PCB Layout Recommendations

Status Definitions

Status	Definition
DRAFT	The content of this document is under review and subject to formal approval, which may result in modifications or additions.
APPROVED or unmarked	The content of this document has been approved for publication.

DA9217/DA9121 and DA9220/DA9122 PCB Layout Recommendations

Important Notice and Disclaimer

RENESAS ELECTRONICS CORPORATION AND ITS SUBSIDIARIES (“RENESAS”) PROVIDES TECHNICAL SPECIFICATIONS AND RELIABILITY DATA (INCLUDING DATASHEETS), DESIGN RESOURCES (INCLUDING REFERENCE DESIGNS), APPLICATION OR OTHER DESIGN ADVICE, WEB TOOLS, SAFETY INFORMATION, AND OTHER RESOURCES “AS IS” AND WITH ALL FAULTS, AND DISCLAIMS ALL WARRANTIES, EXPRESS OR IMPLIED, INCLUDING, WITHOUT LIMITATION, ANY IMPLIED WARRANTIES OF MERCHANTABILITY, FITNESS FOR A PARTICULAR PURPOSE, OR NON-INFRINGEMENT OF THIRD PARTY INTELLECTUAL PROPERTY RIGHTS.

These resources are intended for developers skilled in the art designing with Renesas products. You are solely responsible for (1) selecting the appropriate products for your application, (2) designing, validating, and testing your application, and (3) ensuring your application meets applicable standards, and any other safety, security, or other requirements. These resources are subject to change without notice. Renesas grants you permission to use these resources only for development of an application that uses Renesas products. Other reproduction or use of these resources is strictly prohibited. No license is granted to any other Renesas intellectual property or to any third party intellectual property. Renesas disclaims responsibility for, and you will fully indemnify Renesas and its representatives against, any claims, damages, costs, losses, or liabilities arising out of your use of these resources. Renesas' products are provided only subject to Renesas' Terms and Conditions of Sale or other applicable terms agreed to in writing. No use of any Renesas resources expands or otherwise alters any applicable warranties or warranty disclaimers for these products.

© 2022 Renesas Electronics Corporation. All rights reserved.

(Rev.1.0 Mar 2020)

Corporate Headquarters

TOYOSU FORESIA, 3-2-24 Toyosu

Koto-ku, Tokyo 135-0061, Japan

www.renesas.com

Contact Information

For further information on a product, technology, the most up-to-date version of a document, or your nearest sales office, please visit:

<https://www.renesas.com/contact/>

Trademarks

Renesas and the Renesas logo are trademarks of Renesas Electronics Corporation. All trademarks and registered trademarks are the property of their respective owners.

IMPORTANT NOTICE AND DISCLAIMER

RENESAS ELECTRONICS CORPORATION AND ITS SUBSIDIARIES (“RENESAS”) PROVIDES TECHNICAL SPECIFICATIONS AND RELIABILITY DATA (INCLUDING DATASHEETS), DESIGN RESOURCES (INCLUDING REFERENCE DESIGNS), APPLICATION OR OTHER DESIGN ADVICE, WEB TOOLS, SAFETY INFORMATION, AND OTHER RESOURCES “AS IS” AND WITH ALL FAULTS, AND DISCLAIMS ALL WARRANTIES, EXPRESS OR IMPLIED, INCLUDING, WITHOUT LIMITATION, ANY IMPLIED WARRANTIES OF MERCHANTABILITY, FITNESS FOR A PARTICULAR PURPOSE, OR NON-INFRINGEMENT OF THIRD-PARTY INTELLECTUAL PROPERTY RIGHTS.

These resources are intended for developers who are designing with Renesas products. You are solely responsible for (1) selecting the appropriate products for your application, (2) designing, validating, and testing your application, and (3) ensuring your application meets applicable standards, and any other safety, security, or other requirements. These resources are subject to change without notice. Renesas grants you permission to use these resources only to develop an application that uses Renesas products. Other reproduction or use of these resources is strictly prohibited. No license is granted to any other Renesas intellectual property or to any third-party intellectual property. Renesas disclaims responsibility for, and you will fully indemnify Renesas and its representatives against, any claims, damages, costs, losses, or liabilities arising from your use of these resources. Renesas' products are provided only subject to Renesas' Terms and Conditions of Sale or other applicable terms agreed to in writing. No use of any Renesas resources expands or otherwise alters any applicable warranties or warranty disclaimers for these products.

(Disclaimer Rev.1.01 Jan 2024)

Corporate Headquarters

TOYOSU FORESIA, 3-2-24 Toyosu,
Koto-ku, Tokyo 135-0061, Japan
www.renesas.com

Trademarks

Renesas and the Renesas logo are trademarks of Renesas Electronics Corporation. All trademarks and registered trademarks are the property of their respective owners.

Contact Information

For further information on a product, technology, the most up-to-date version of a document, or your nearest sales office, please visit www.renesas.com/contact-us/.