

RAJ2930004AGM

PSPICE Model Readme

Targeted simulator: Cadence OrCAD

Gate Driver IC for IGBTs and SiC MOSFETs

This document discusses the PSPICE model for the RAJ2930004AGM including the features support and not supported by the model. To download the model, see the RAJ2930004AGM product page.

Contents

1. Model Features.....	2
2. Downloading and Running on Cadence OrCAD	2
3. Simulation Circuit example	4

1. Model Features

This PSPICE model is intended to give typical DC performance characteristics under external circuit configurations using compatible simulation platforms – such as Cadence OrCAD. Also, can use other software which can load PSPICE model, but in this file used Cadence OrCAD for simulation.

1.1 Device Performance Features Supported

The following are the device performance features that are supported by this model:

- Typical static behavior
- Over current detection by Desaturation Protection (DESAT)
- On-chip under voltage lockout circuit (UVLO)
- Fault Alarm outputs on FOB pin and the latched fault status can be reset by RSTB pin
- On-chip active miller clamp
- Soft turn-off function

1.2 Device Performance Features Limited

The following are the device performance features that are not supported by this model:

- Temperature Characteristics
- Thermal behavior

2. Downloading and Running on Cadence OrCAD

Download the RAJ2930004AGM PSPICE model first and save the file to a local directory for your simulations. PSPICE model at least include the library file (xxx.lib) and Symbol file (xxx.OLB)

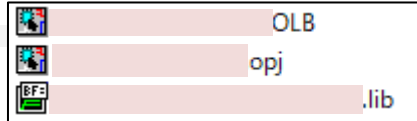


Figure.1 An example of PSPICE model package

If use exist bench simulation click [Open Project] on start page and chose the [xxx.opj] file from PSPICE model package. Or can also build a new project use own setting.

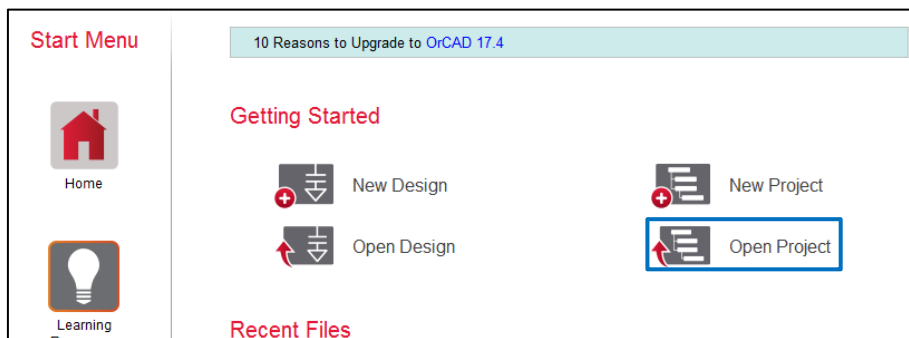


Figure.2 Start page of OrCAD

Load project successfully, chose a schematic of simulation bench under [xxx.dsn] by double click. And will move to the schematic page.

If build a new project need to build a new schematic page for simulation.

For example, double click Figure.3 [PAGE1]

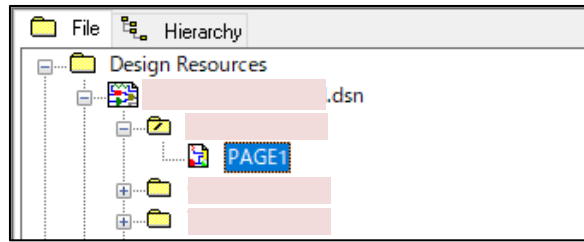


Figure.3 Design Resources list

First time need to build simulation and add PSPICE model library. Click New Simulation Profile button [📄] New Simulation window will open. Input simulation name and click [Create]

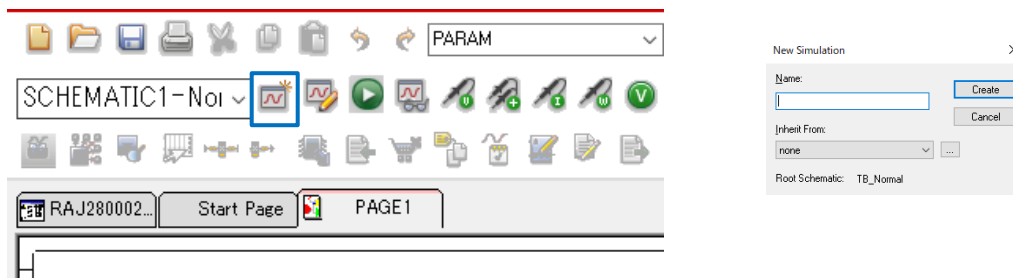


Figure.4 New simulation button and window

Simulation Setting window will open. Select tab [Configuration Files]=> Category [Library]=> [Browse...]

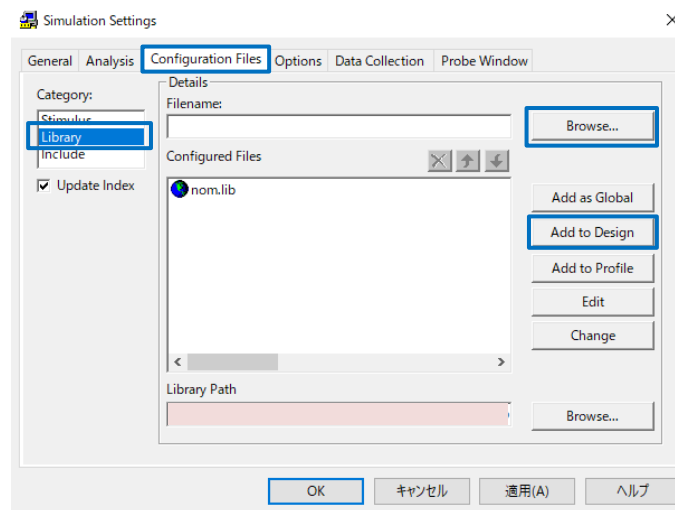


Figure.5 Simulation Setting

Select the PSPICE model file [xxx.lib] from the directory where release the model package. Then return to Figure.5 window and click [Add to design] => [OK]

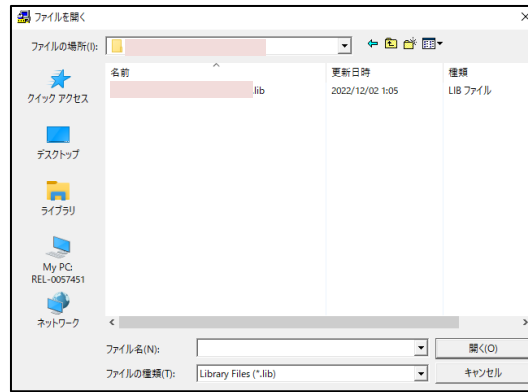


Figure.6 select PSPICE model file

After Library setting, exist simulation bench can run simulation normally. If build a new schematic need to complete the simulation circuit. Below shows a basic simulation circuit as an example.

3. Simulation Circuit example

Figure 7 shows a reference circuit to check the basic characteristics of RAJ2930004AGM. Apply supply voltage to each of Pin.5, Pin.8, and Pin.15. A negative voltage should be applied to Pin.8 with respect to GND2. Also, connect GND1 and GND2 to ground respectively, as this device is isolated on the primary and secondary. Furthermore, when pulse waveforms are applied to Pin.10 and Pin.11, the corresponding output waveforms can be observed.

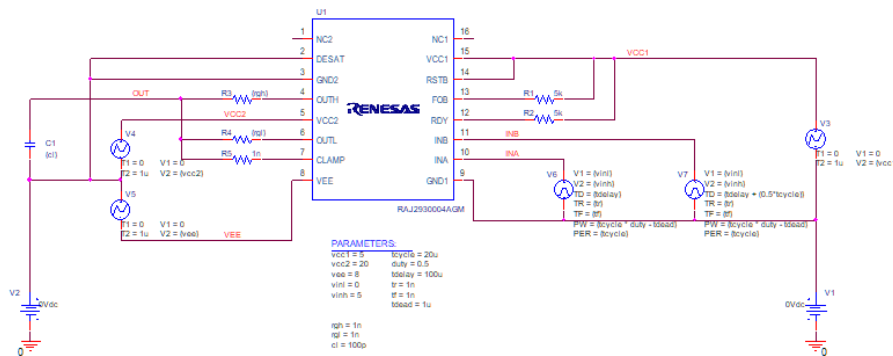


Figure.7 Simulation Circuit (Basic characteristics)

Figure.8 shows the simulation result of Figure.7 circuit.



Figure.8 Simulation result (Basic characteristics)

As shown in Figure 9, two RAJ2930004AGMs can also be used to check half-bridge operation.

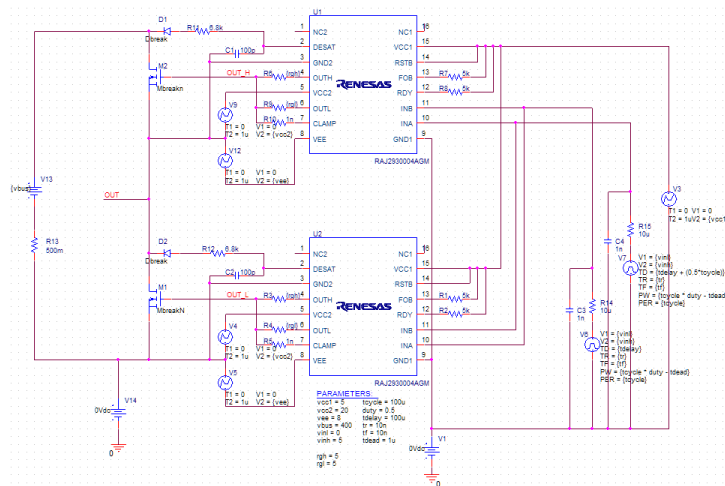


Figure.9 Simulation Circuit (Half-bridge operation)

Figure.10 shows the simulation result of Figure.9 circuit.

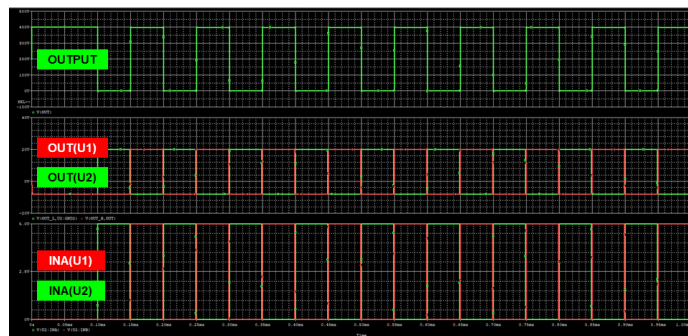


Figure.10 Simulation result (Half-bridge operation)

If the simulation does not converge and waveforms cannot be obtained, click “Edit Simulation Profile” shown in Figure 11 to open the Simulation settings screen.



Figure. 11 Location of Edit Simulation Profile

You should check SKIPBP on the Analysis tab. (Figure. 12)

Furthermore, go to the Options tab, click the AutoConverge button, and check AutoConverge. (Figure. 13)

And adjust the value of “Relative accuracy of V’s and I’s” to 1u. (Figure. 14)

Then click the OK button on the Simulation settings screen to apply the settings and run the simulation again.

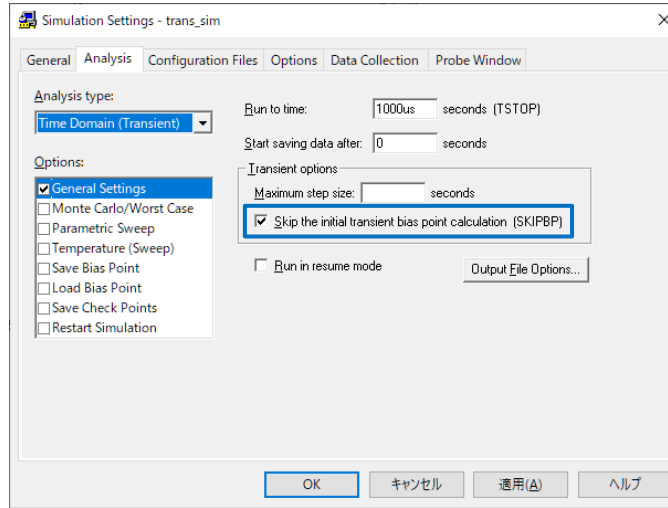


Figure. 12 Simulation settings screen (Location of “SKIPBP”)

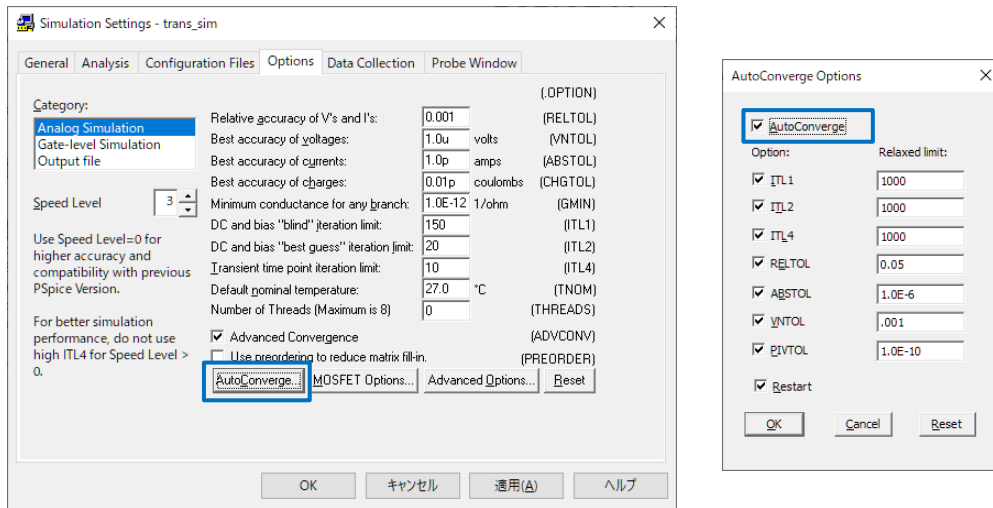


Figure. 13 Simulation settings screen (Location of “AutoConverge”)

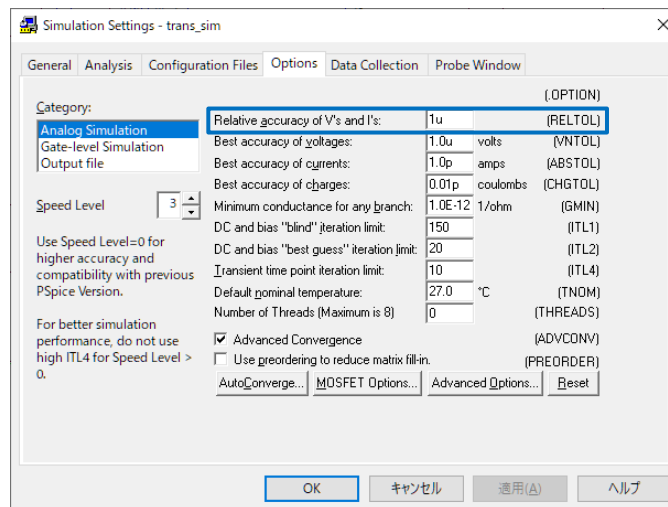


Figure. 14 Simulation settings screen (Where to adjust accuracy)

Revision History

Rev.	Date	Description	
		Page	Summary
1.0	2024/06/05	-	Initial release

Notice

1. Descriptions of circuits, software and other related information in this document are provided only to illustrate the operation of semiconductor products and application examples. You are fully responsible for the incorporation or any other use of the circuits, software, and information in the design of your product or system. Renesas Electronics disclaims any and all liability for any losses and damages incurred by you or third parties arising from the use of these circuits, software, or information.
2. Renesas Electronics hereby expressly disclaims any warranties against and liability for infringement or any other claims involving patents, copyrights, or other intellectual property rights of third parties, by or arising from the use of Renesas Electronics products or technical information described in this document, including but not limited to, the product data, drawings, charts, programs, algorithms, and application examples.
3. No license, express, implied or otherwise, is granted hereby under any patents, copyrights or other intellectual property rights of Renesas Electronics or others.
4. You shall be responsible for determining what licenses are required from any third parties, and obtaining such licenses for the lawful import, export, manufacture, sales, utilization, distribution or other disposal of any products incorporating Renesas Electronics products, if required.
5. You shall not alter, modify, copy, or reverse engineer any Renesas Electronics product, whether in whole or in part. Renesas Electronics disclaims any and all liability for any losses or damages incurred by you or third parties arising from such alteration, modification, copying or reverse engineering.
6. Renesas Electronics products are classified according to the following two quality grades: "Standard" and "High Quality". The intended applications for each Renesas Electronics product depends on the product's quality grade, as indicated below.
 - "Standard": Computers; office equipment; communications equipment; test and measurement equipment; audio and visual equipment; home electronic appliances; machine tools; personal electronic equipment; industrial robots; etc.
 - "High Quality": Transportation equipment (automobiles, trains, ships, etc.); traffic control (traffic lights); large-scale communication equipment; key financial terminal systems; safety control equipment; etc.

Unless expressly designated as a high reliability product or a product for harsh environments in a Renesas Electronics data sheet or other Renesas Electronics document, Renesas Electronics products are not intended or authorized for use in products or systems that may pose a direct threat to human life or bodily injury (artificial life support devices or systems; surgical implantations; etc.), or may cause serious property damage (space system; undersea repeaters; nuclear power control systems; aircraft control systems; key plant systems; military equipment; etc.). Renesas Electronics disclaims any and all liability for any damages or losses incurred by you or any third parties arising from the use of any Renesas Electronics product that is inconsistent with any Renesas Electronics data sheet, user's manual or other Renesas Electronics document.
7. No semiconductor product is absolutely secure. Notwithstanding any security measures or features that may be implemented in Renesas Electronics hardware or software products, Renesas Electronics shall have absolutely no liability arising out of any vulnerability or security breach, including but not limited to any unauthorized access to or use of a Renesas Electronics product or a system that uses a Renesas Electronics product. RENESAS ELECTRONICS DOES NOT WARRANT OR GUARANTEE THAT RENESAS ELECTRONICS PRODUCTS, OR ANY SYSTEMS CREATED USING RENESAS ELECTRONICS PRODUCTS WILL BE INVULNERABLE OR FREE FROM CORRUPTION, ATTACK, VIRUSES, INTERFERENCE, HACKING, DATA LOSS OR THEFT, OR OTHER SECURITY INTRUSION ("Vulnerability Issues"). RENESAS ELECTRONICS DISCLAIMS ANY AND ALL RESPONSIBILITY OR LIABILITY ARISING FROM OR RELATED TO ANY VULNERABILITY ISSUES. FURTHERMORE, TO THE EXTENT PERMITTED BY APPLICABLE LAW, RENESAS ELECTRONICS DISCLAIMS ANY AND ALL WARRANTIES, EXPRESS OR IMPLIED, WITH RESPECT TO THIS DOCUMENT AND ANY RELATED OR ACCOMPANYING SOFTWARE OR HARDWARE, INCLUDING BUT NOT LIMITED TO THE IMPLIED WARRANTIES OF MERCHANTABILITY, OR FITNESS FOR A PARTICULAR PURPOSE.
8. When using Renesas Electronics products, refer to the latest product information (data sheets, user's manuals, application notes, "General Notes for Handling and Using Semiconductor Devices" in the reliability handbook, etc.), and ensure that usage conditions are within the ranges specified by Renesas Electronics with respect to maximum ratings, operating power supply voltage range, heat dissipation characteristics, installation, etc. Renesas Electronics disclaims any and all liability for any malfunctions, failure or accident arising out of the use of Renesas Electronics products outside of such specified ranges.
9. Although Renesas Electronics endeavors to improve the quality and reliability of Renesas Electronics products, semiconductor products have specific characteristics, such as the occurrence of failure at a certain rate and malfunctions under certain use conditions. Unless designated as a high reliability product or a product for harsh environments in a Renesas Electronics data sheet or other Renesas Electronics document, Renesas Electronics products are not subject to radiation resistance design. You are responsible for implementing safety measures to guard against the possibility of bodily injury, injury or damage caused by fire, and/or danger to the public in the event of a failure or malfunction of Renesas Electronics products, such as safety design for hardware and software, including but not limited to redundancy, fire control and malfunction prevention, appropriate treatment for aging degradation or any other appropriate measures. Because the evaluation of microcomputer software alone is very difficult and impractical, you are responsible for evaluating the safety of the final products or systems manufactured by you.
10. Please contact a Renesas Electronics sales office for details as to environmental matters such as the environmental compatibility of each Renesas Electronics product. You are responsible for carefully and sufficiently investigating applicable laws and regulations that regulate the inclusion or use of controlled substances, including without limitation, the EU RoHS Directive, and using Renesas Electronics products in compliance with all these applicable laws and regulations. Renesas Electronics disclaims any and all liability for damages or losses occurring as a result of your noncompliance with applicable laws and regulations.
11. Renesas Electronics products and technologies shall not be used for or incorporated into any products or systems whose manufacture, use, or sale is prohibited under any applicable domestic or foreign laws or regulations. You shall comply with any applicable export control laws and regulations promulgated and administered by the governments of any countries asserting jurisdiction over the parties or transactions.
12. It is the responsibility of the buyer or distributor of Renesas Electronics products, or any other party who distributes, disposes of, or otherwise sells or transfers the product to a third party, to notify such third party in advance of the contents and conditions set forth in this document.
13. This document shall not be reprinted, reproduced or duplicated in any form, in whole or in part, without prior written consent of Renesas Electronics.
14. Please contact a Renesas Electronics sales office if you have any questions regarding the information contained in this document or Renesas Electronics products.

(Note1) "Renesas Electronics" as used in this document means Renesas Electronics Corporation and also includes its directly or indirectly controlled subsidiaries.

(Note2) "Renesas Electronics product(s)" means any product developed or manufactured by or for Renesas Electronics.

(Rev.5.0-1 October 2020)

Corporate Headquarters

TOYOSU FORESIA, 3-2-24 Toyosu,
Koto-ku, Tokyo 135-0061, Japan
www.renesas.com

Trademarks

Renesas and the Renesas logo are trademarks of Renesas Electronics Corporation. All trademarks and registered trademarks are the property of their respective owners.

Contact information

For further information on a product, technology, the most up-to-date version of a document, or your nearest sales office, please visit:
www.renesas.com/contact/.